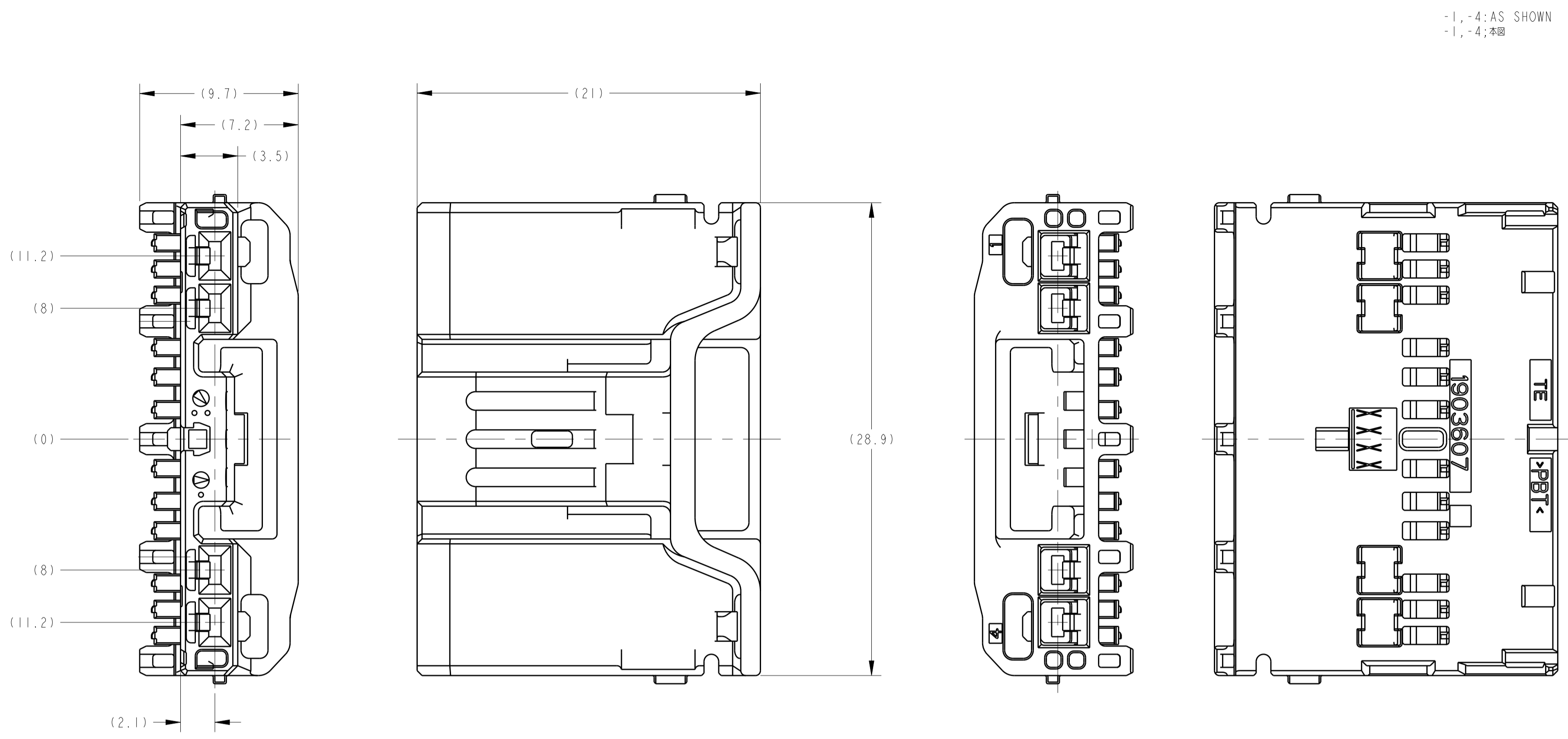
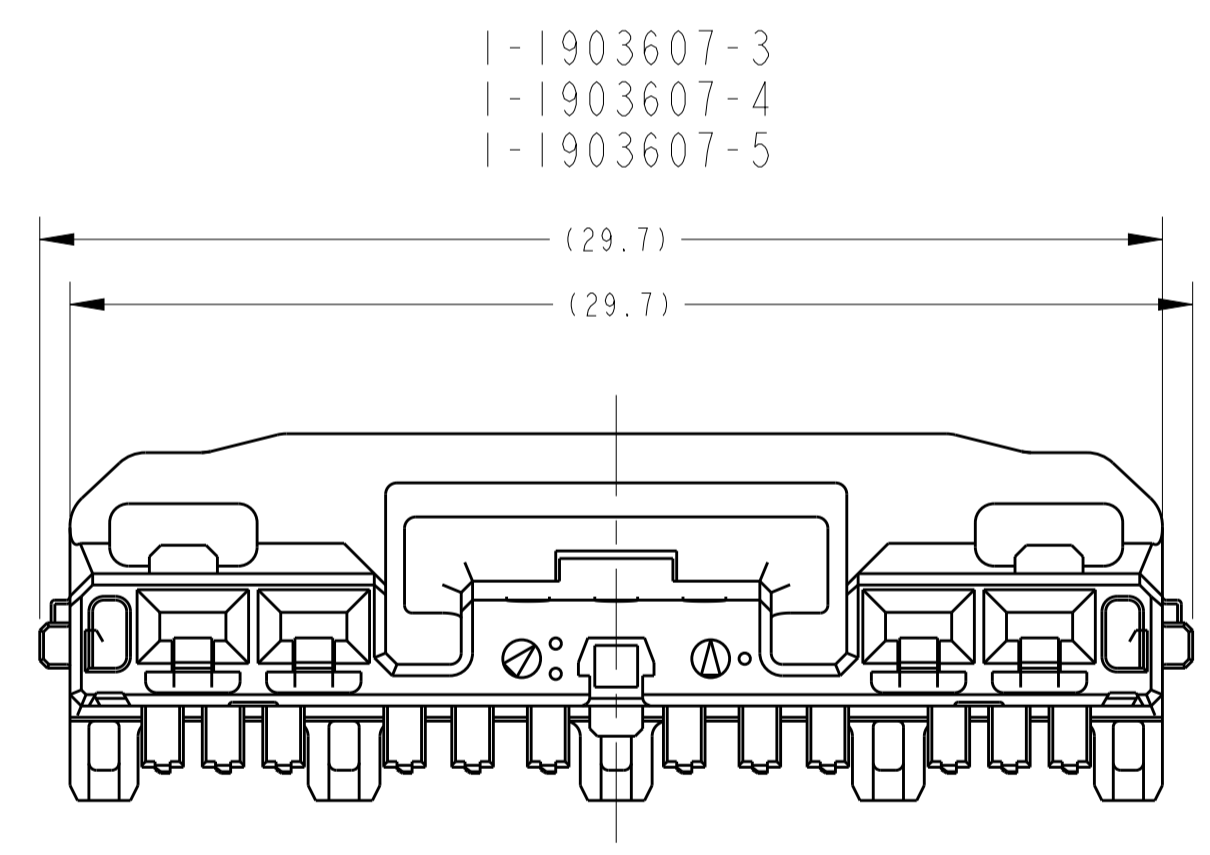
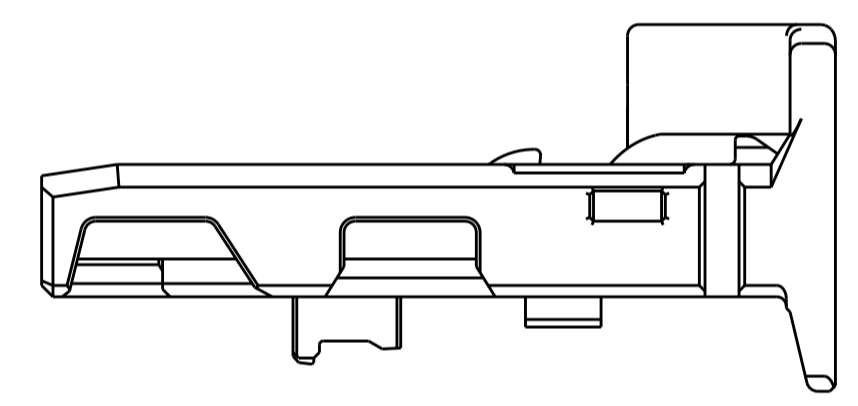


REV. NO.		REVISIONS			
REV.	DATE	DESCRIPTION	DATE	DWN	APVD
A4		REVISED	ECR-14-003707	14MAR14	YT RK
A5		ADD 1-1903607-5	ECR-17-007541	06JUN2017	YM TK



-1,-4:AS SHOWN
 -1,-4:本図



1-1903607-3
 1-1903607-4
 1-1903607-5

1. 本製品は、別冊のコンポーネントと組合せて使用する。
 2. 取扱説明書 NO: 411-78268, 78269
 3. 組合せ相手型番・取扱説明書を参照のこと。
 4. 嵌合相手代表型番：取扱説明書を参照のこと。
 5. 1.5型端子の仕様は、各製造・供給元の仕様書を確認すること。
1. THIS PRODUCT IS USED STACK WITH ANOTHER COMPONENTS.
 2. HANDLING OF THIS PART SHOULD FOLLOW INSTRUCTION SHEET NO.411-78268,78269.
 3. COMPONENTS NUMBER OF STACKING;REFERENCE TO INSTRUCTION SHEET.
 4. MATING CONNECTOR PART(TYPICAL);REFERENCE TO INSTRUCTION SHEET.
 5. REFERENCE TO "1.5 RECEPTACLE CONTACT SPECIFICATION" BY PRODUCT MAKER AND SUPPLIERS SPECIFIED.

PACKING STYLE	COLOR	PART NO.
PAPER BOX タンボール箱	GRAY	1-1903607-5
	BLACK	1-1903607-4
	NATURAL	1-1903607-3
	BLACK	1903607-6
	BLACK	1903607-5
	BLACK	1903607-4
	NATURAL	1903607-3
SOFT TRAY プラスチックトレイ	NATURAL	1903607-2
	NATURAL	1903607-1

THIS DRAWING IS A CONTROLLED DOCUMENT.

DIMENSIONS: mm	TOLERANCES UNLESS OTHERWISE SPECIFIED: mm	DWN R. KATO	03DEC08
		CHK R. KOMIYAMA	03DEC08
		APVD H. YAMAGAMI	03DEC08
		NAME H. YAMAGAMI	03DEC08
		PRODUCT SPEC 108-78437, 78438	
		APPLICATION SPEC	
		FINISH SEE TABLE	
MATERIAL PBT		WEIGHT 1.52 g	
		SIZE A1	
		CAGE CODE 00779	
		DRAWING NO. 1903607	
		RESTRICTED TO	
		CUSTOMER DRAWING	
		SHEET 5:1	
		OF 1	
		REV A5	

STE TE Connectivity

1.5 4 POSITION LOCK HOUSING
 STACKING TYPE