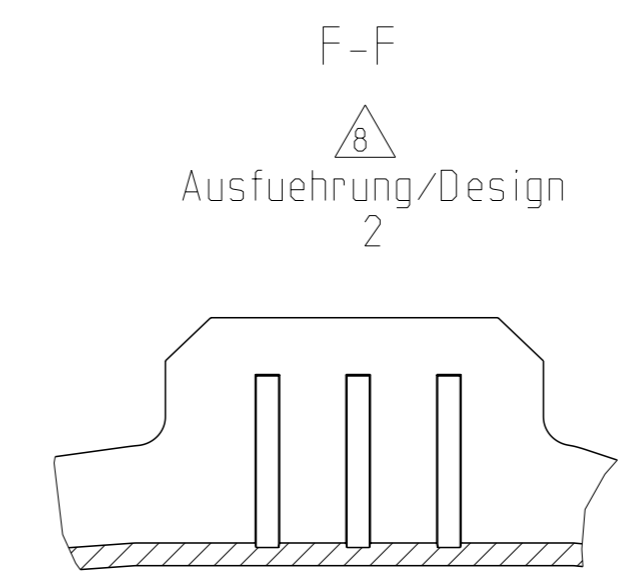
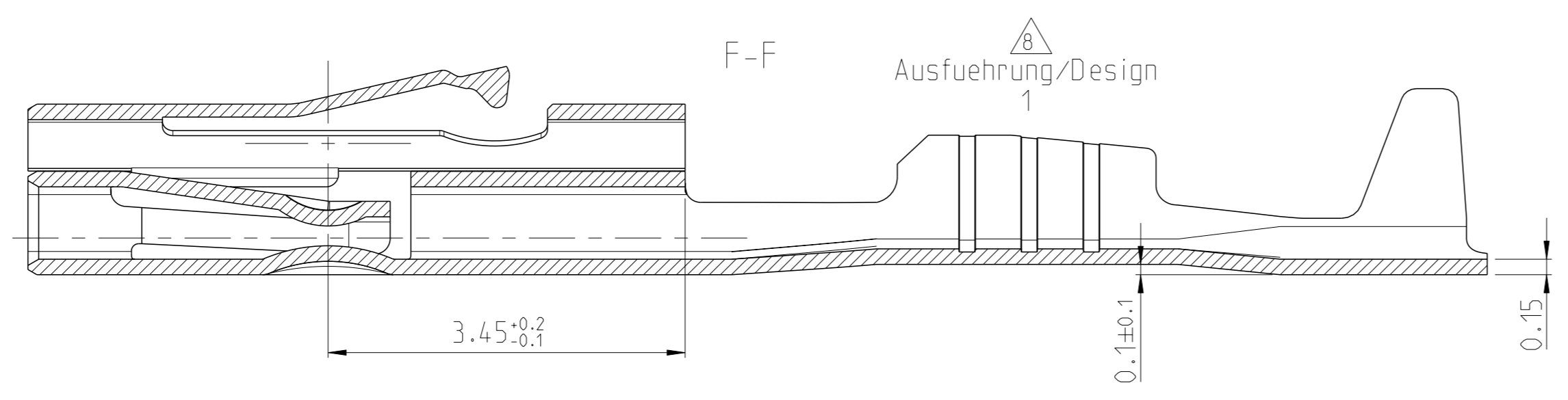
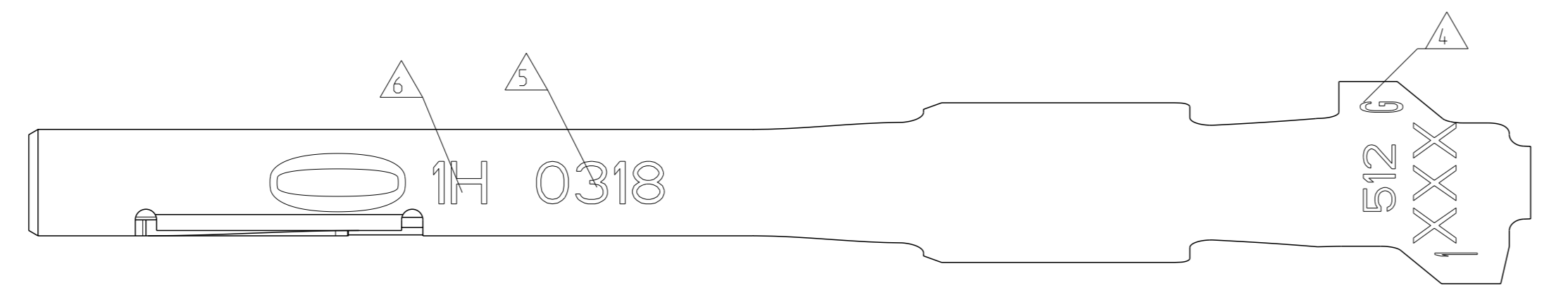
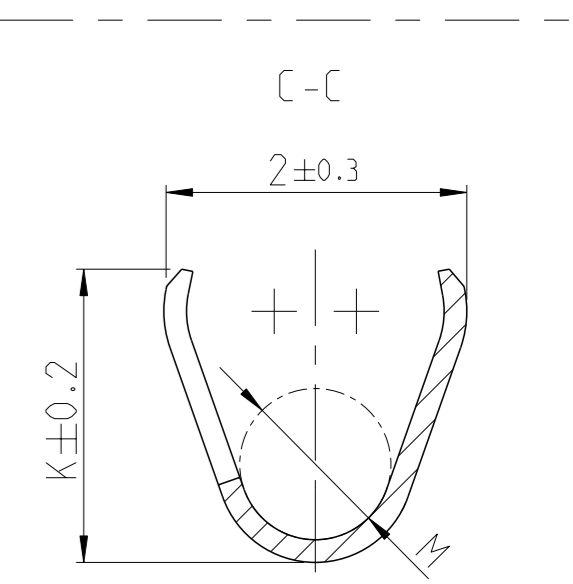
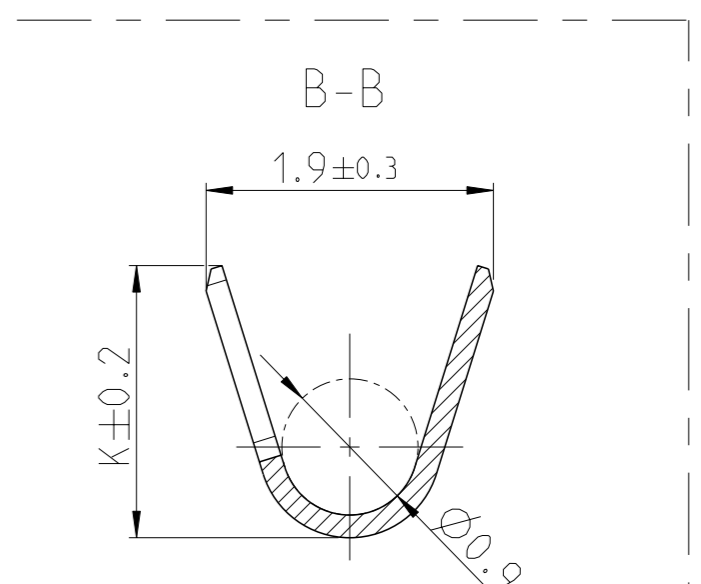
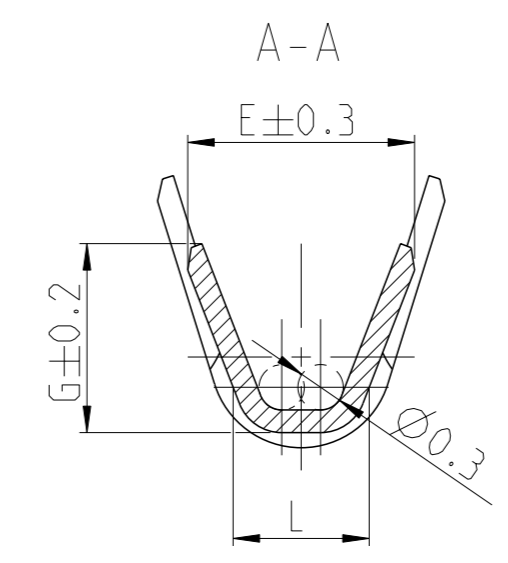
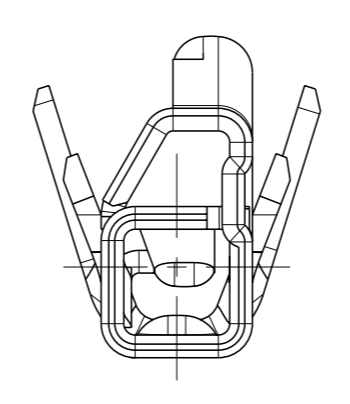
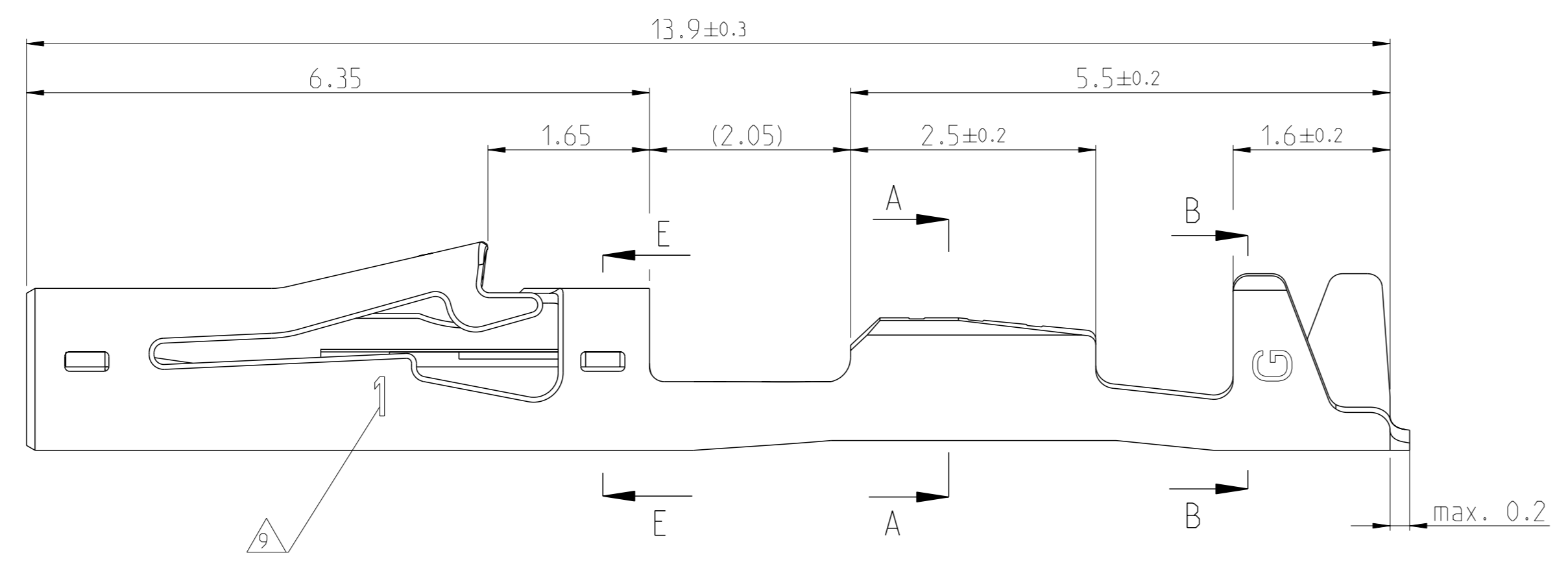
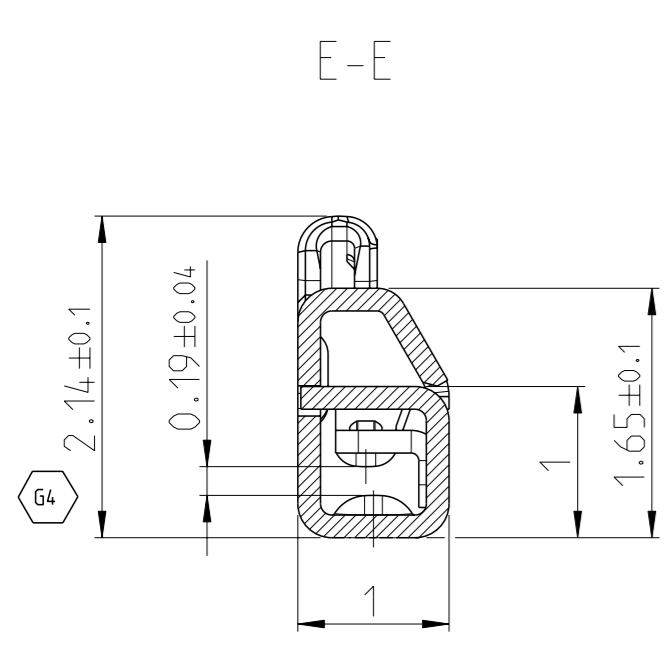


LOC	DIST	REV. NO.	DESCRIPTION	DATE	OWN	APPROV
A1	-	G1	ECR-18-002413	19FEB2018	FRAN	LEIM
		G2	ECR-18-015758	04DEC2018	GLUE	LEIM
		G3	ECR-19-000372	09JAN2019	MAH.	LEIM
		G4	ECR-19-010449	03JUL2019	BREN	LEIM



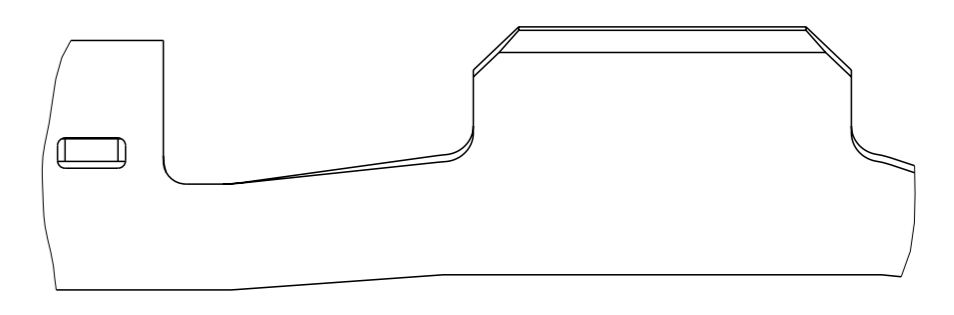
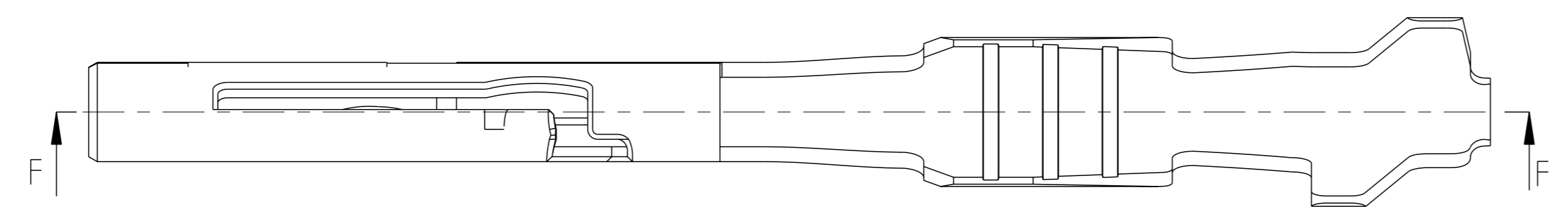
- Bemerkungen**
NOTES
- 1 Massgebend ist der deutsche Text ONLY THE GERMAN LANGUAGE VERSION SHALL BE BINDING
 - 2 Einzelheiten der Ausführung bleiben dem Hersteller ueberlassen DETAILS OF DESIGN ARE LEFT TO MANUFACTURER
 - 3 Passend zu Kontaktstift: TE 114-94201 SUITABLE TO CONTACT-PIN.
 - 4 TE-Logo, Aenderungsstand TE-LOGO, REVISION STATUS
 - 5 Datumscode (Woche/Jahr) DATE-CODE (WEEK/YEAR)
 - 6 Variantenmarkierung VERSION MARKING
 - 7 Oberflaeche Kontaktbereich SURFACE CONTACT AREA
 $S_n = 0.8 \dots 2.2 \mu m$
 $A_g = 1.6 \dots 5 \mu m$
 $A_u = \text{min. } 0.8 \mu m$
 - 8 Rillenausfuehrung SERRATION DESIGN
 - 9 Spurenzuoerdnung in Zweispurwerkzeugen TRACK ALLOCATION IN TWO TRACK DIES



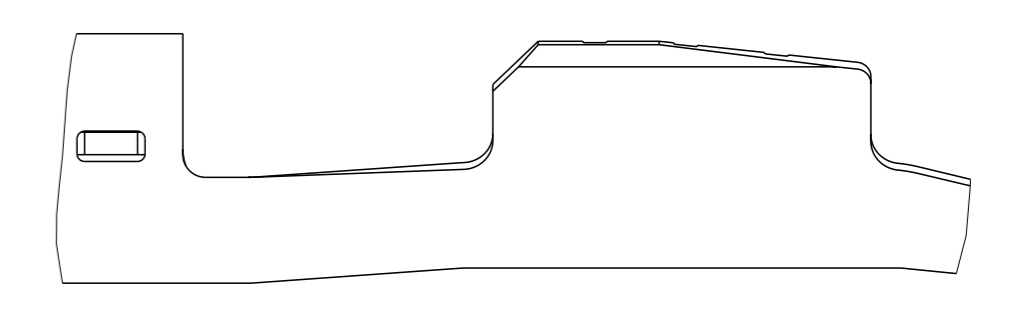
1-1703930-X wie gezeigt
 1-1703930-X AS SHOWN

1-1703930-x und
 2-1703930-x wie gezeigt
 1-1703930-x AND
 2-1703930-x AS SHOWN

4-1703930-x wie gezeigt
 4-1703930-x AS SHOWN

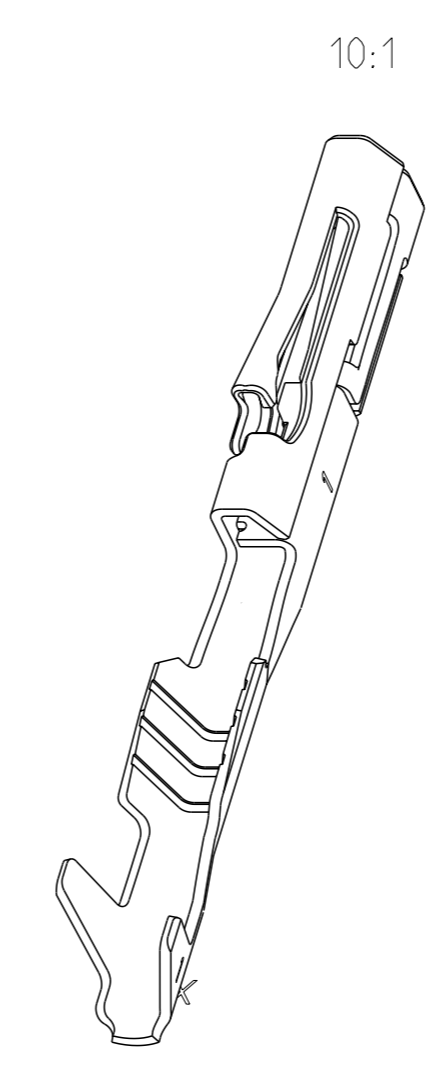


4-1703930-X wie gezeigt
 4-1703930-X AS SHOWN



2-1703930-X wie gezeigt
 2-1703930-X AS SHOWN

Bestell-Nr. Ausführung ORDER NO. Design 1	REV.	Bestell-Nr. Ausführung ORDER NO. Design 2	REV.	VERSION	Markierung MARKING	DGB WIRE SIZE RANGE [mm ²]	Material	OBERFLAECHE SURFACE	Gewicht WEIGHT [g]	Drahtcrimp WIRE CRIMP	Iso' crimp INSULATION CRIMP
-	-	4-1703930-4	A	HIGH PERFORMANCE	4+	0.22...0.35	CuNiSi	Sn	0.08	E = 1.6 G = 1.64 L = 0.85 M = Ø1	K = 1.93
-	-	4-1703930-3	B		4G		CuNiSi	Au			
-	-	4-1703930-2	A		4H		CuNiSi	Ag			
-	-	4-1703930-1	A	Standard	4		CuSn8	Sn			
2-1703930-4	A	-	-	HIGH PERFORMANCE	2+	0.22...0.35	CuNiSi	Sn	0.08	E = 1.7 G = 1.5 L = 1.05	K = 1.9
2-1703930-2	G	-	-		2H		CuNiSi	Ag			
2-1703930-1	F	-	-	Standard	2		CuSn8	Sn			
1-1703930-2	F	-	-	HIGH PERFORMANCE	1H	0.13...0.17	CuNiSi	Ag	0.08	E = 1.5 G = 1.25 L = 0.9	K = 1.8
1-1703930-1	E	-	-	Standard	1		CuSn8	Sn			
Bestell-Nr. Ausführung ORDER NO. Design 1	REV.	Bestell-Nr. Ausführung ORDER NO. Design 2	REV.	VERSION	Markierung MARKING	DGB WIRE SIZE RANGE [mm ²]	Material	OBERFLAECHE SURFACE	Gewicht WEIGHT [g]	Drahtcrimp WIRE CRIMP	Iso' crimp INSULATION CRIMP



THIS DRAWING IS A CONTROLLED DOCUMENT.
 Dieses Dokument ist ein kontrolliertes Dokument.
 Änderungen sind durch eine geänderte Versionsnummer zu erkennen.
 Changes are indicated by a changed version number.

DATE	04SEP2007	DATE	04SEP2007
DESIGNER	S. G.	DESIGNER	S. G.
CHK	C. Boemmel	CHK	C. Boemmel
APPROV	D. Jetter	APPROV	D. Jetter
PRODUCT SPEC	108-94099	PRODUCT SPEC	108-94099
APPLICATION SPEC	114-18858	APPLICATION SPEC	114-18858
WEIGHT	-	WEIGHT	-
Customer Drawing		Customer Drawing	

TE TE Connectivity

NAME: NanoMQS
 Buchsenkontakt
 SOCKET CONTACT

SIZE: A1
 CAGE CODE: 00779
 DRAWING NO.: 1703930

RESTRICTED TO: NUR FÜR: -

SCALE: 20:1
 SHEET: 1 OF 1
 VON: 1