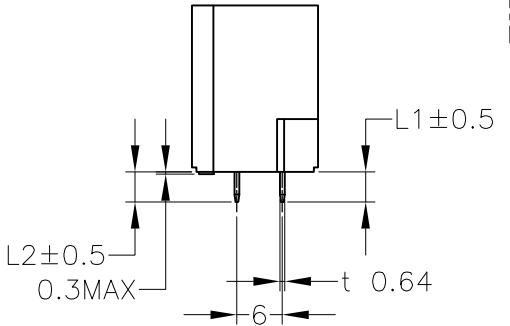
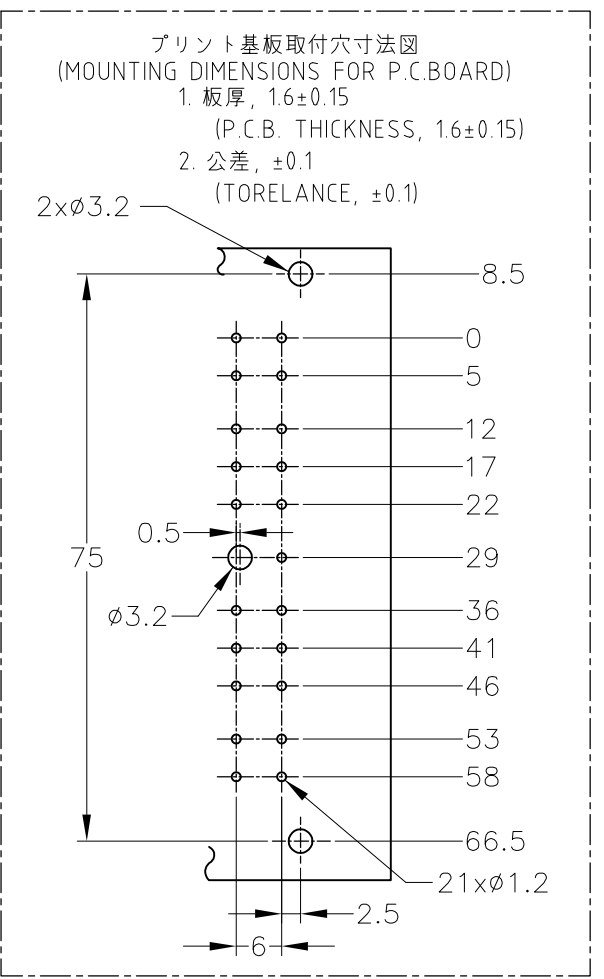
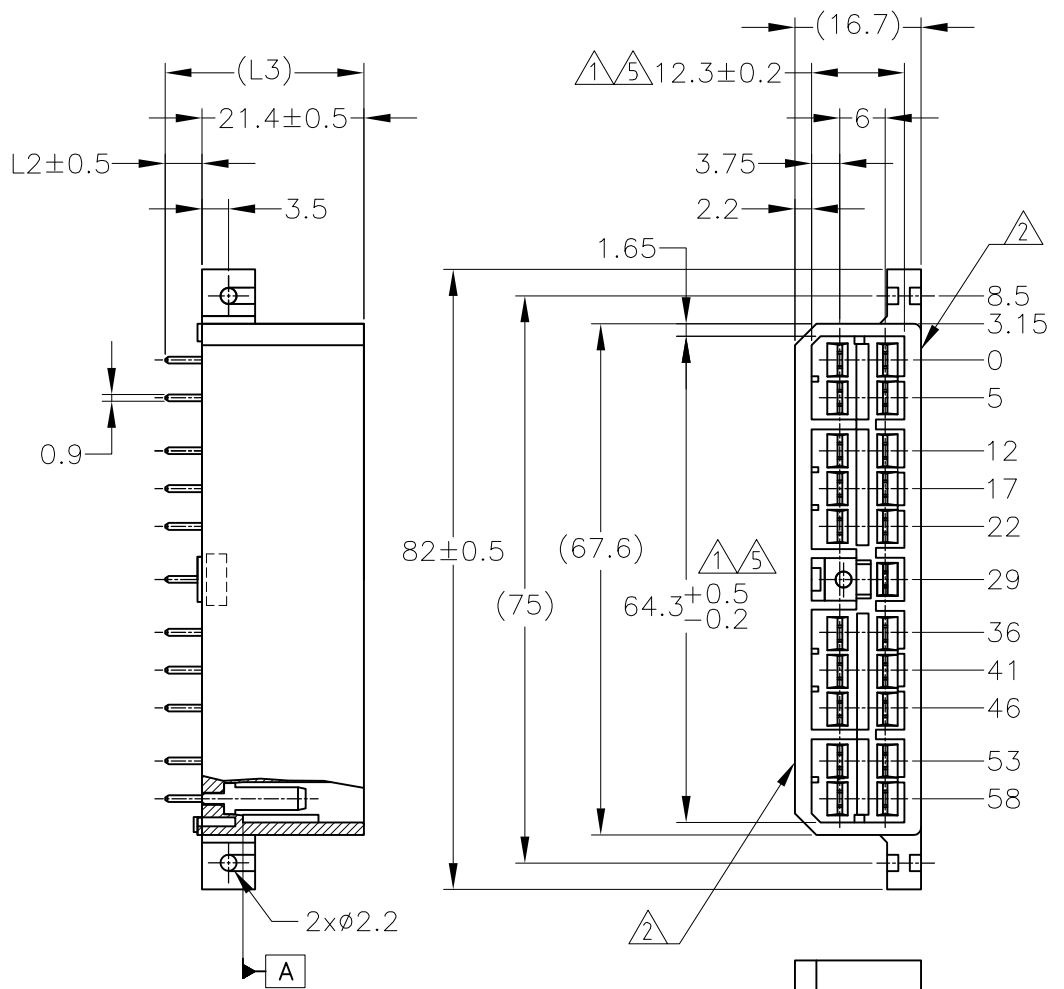


THIS DRAWING IS UNPUBLISHED. RELEASED FOR PUBLICATION MAY, 2017.  
 © COPYRIGHT 2017 By Tyco Electronics Japan G.K. ALL RIGHTS RESERVED.

REVISIONS					
P	LTR	DESCRIPTION	DATE	DWN	APVD
	K4	REVISED	ECR-16-002841	18MAY2017	KF TK



- ① 相手ハウジングと所定の機能を満たして嵌合できること。
- ② フードの反りは0.2以内。
- 3. 推奨取付ねじ：JIS B 1115 又は、1122 タッピンねじ  
なべ1種、呼び径3を使用し、締め付け後半田付けする。
- 4. 適用製品規格：108-5093
- ⑤ [A] 面より2mmの範囲で測定。
- 6. 相手ハウジングとの嵌合力は、29.4N以下。  
但し、リセプタクル コンタクトは含まない。

- ④ IN COUPLING WITH THE PLUG HOUSING MATING SATISFIES FUNCTION.
- ② WARPAGE 0.2 MAX.
- 3. RECOMMENDED MOUNTING SCREW: 3mm DIA,  
PAN HEAD, CLASS 1 TAPPING SCREW SPECIFIED IN JIS  
B1115, B1122
- 4. PRODUCT SPECIFICATION: 108-5093
- ⑤ TO BE MEASURED WITHIN 2mm FROM [A]
- 6. IN COUPLING WITH THE PLUG HOUSING MATING FORCE  
29.4N MAX. WITHOUT RECEPTACLE CONTACTS.

TOLERANCE UNLESS OTHERWISE SPECIFIED:	
一般公差	
0 < x ≤ 10	: ±0.2
10 < x ≤ 30	: ±0.25
30 < x ≤ 100	: ±0.3
ANGLE	: ±3°
角度	

THIS DRAWING IS A CONTROLLED DOCUMENT.	
DIMENSIONS:	TOLERANCES UNLESS OTHERWISE SPECIFIED:
mm	0 PLC ± -
	1 PLC ± -
	2 PLC ± -
	3 PLC ± -
	4 PLC ± -
MATERIAL	ANGLES ± -
HOUSING: 66NYLON	FINISH SEE TABLE
TAB CONTACT: BRASS	

26.3	4.9	4.9	SELECTIVE-TIN (MATTE)	SELECTIVE GOLD	NATURAL	5171457-5
47.5	26.1	14.1	PRE-TIN		NATURAL	5-171457-1
30.3	8.9	8.9	PRE-TIN		NATURAL	4-171457-1
26.3	4.9	4.9	TIN-LEAD	SELECTIVE GOLD	NATURAL	1-171457-1
26.3	4.9	4.9	PRE-TIN		GREEN	171457-4
26.3	4.9	4.9	PRE-TIN		NATURAL	171457-1
L3	L2	L1	SOLDERING SIDE 半田付け部	CONTACT SIDE 接触部側	COLOR 色	PART NUMBER 製品型番
			CONTACT FINISH コンタクト仕上			

DWN K.YUASA 7/21'92		TE Connectivity	
CHK K.YUASA 7/21'92			
APVD A.TOMITA 7/21'92		NAME	
PRODUCT SPEC		MULTI-INTERLOCK CONNECTOR	
APPLICATION SPEC		21POSITION V TYPE CAP HOUSING ASSEMBLY	
SIZE	CAGE CODE	DRAWING NO	RESTRICTED TO
A3	00779	C-171457	-
CUSTOMER DRAWING		SCALE 1:1	SHEET 1 OF 1
			REV K4