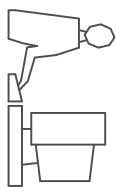
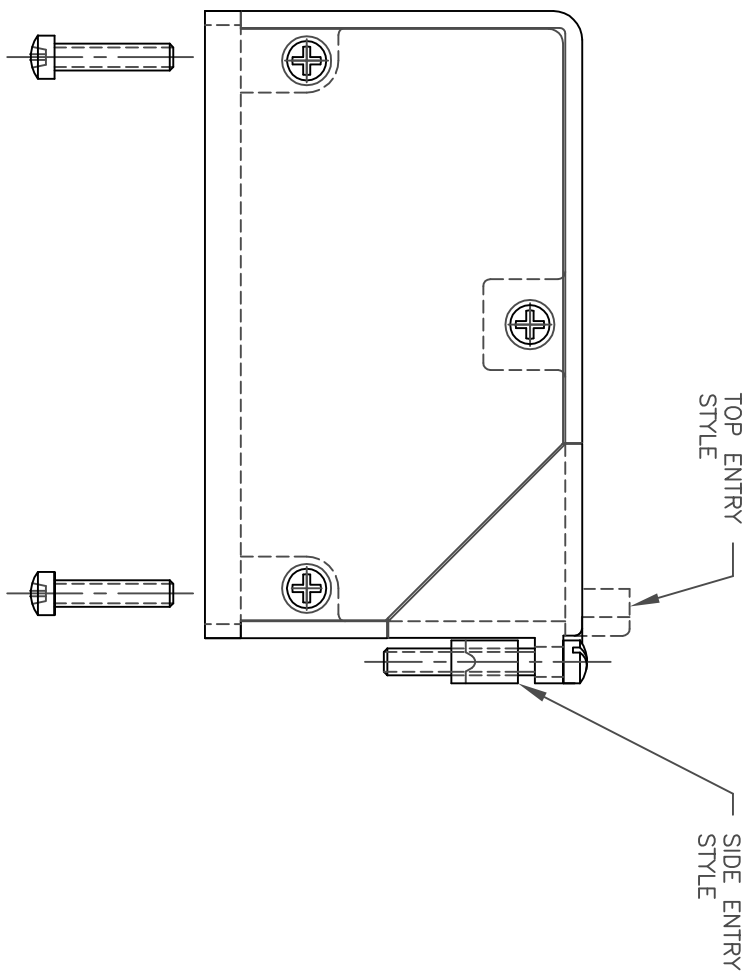


THIS IS A C.A.D. GENERATED DRAWING
DO NOT MAKE MANUAL REVISIONS TO MASTER.



ISSUE NUMBER
ORIGINAL
①



90	516-230-591	SIDE (METRIC)
	516-230-691	TOP (METRIC)
56	516-230-590	SIDE
	516-230-690	TOP
38	516-230-557	SIDE (METRIC)
	516-230-657	TOP (METRIC)
20	516-230-556	SIDE
	516-230-656	TOP
120	516-230-539	SIDE (METRIC)
	516-230-639	TOP (METRIC)
COVER SIZE	516-230-538	SIDE
	516-230-638	TOP
	516-230-521	SIDE (METRIC)
	516-230-621	TOP (METRIC)
	516-230-520	SIDE
	516-230-620	TOP
	516-230-513	SIDE (METRIC)
	516-230-613	TOP (METRIC)
	516-230-512	SIDE
	516-230-612	TOP
	COVER ASSY. PART N° (FINISHED, PAINTED) COLOR GREY ENAMEL	ENTRY STYLE

(METRIC) INDICATES METRIC SCREWS

516 SERIES COVER ASSY.
ORDERING PART NUMBERS

EDAC INC TORONTO, ONTARIO CANADA		THESE DRAWINGS AND SPECIFICATIONS ARE THE PROPERTY OF EDAC INC. AND SHALL NOT BE REPRODUCED, OR COPIED OR USED AS THE BASIS FOR THE MANUFACTURE OR SALE OF APPARATUS WITHOUT WRITTEN PERMISSION.	
ACAD REFERENCE NO. 516-230-000		DRAWN: F. BRIONES	
CHECKED:		DATE: OCT.29/97	
SCALE:		SHEET 1 OF 1	
DRAWING NUMBER 516-230-000		ISSUE 1	
YOUR CONNECTION TO QUALITY & SERVICE			