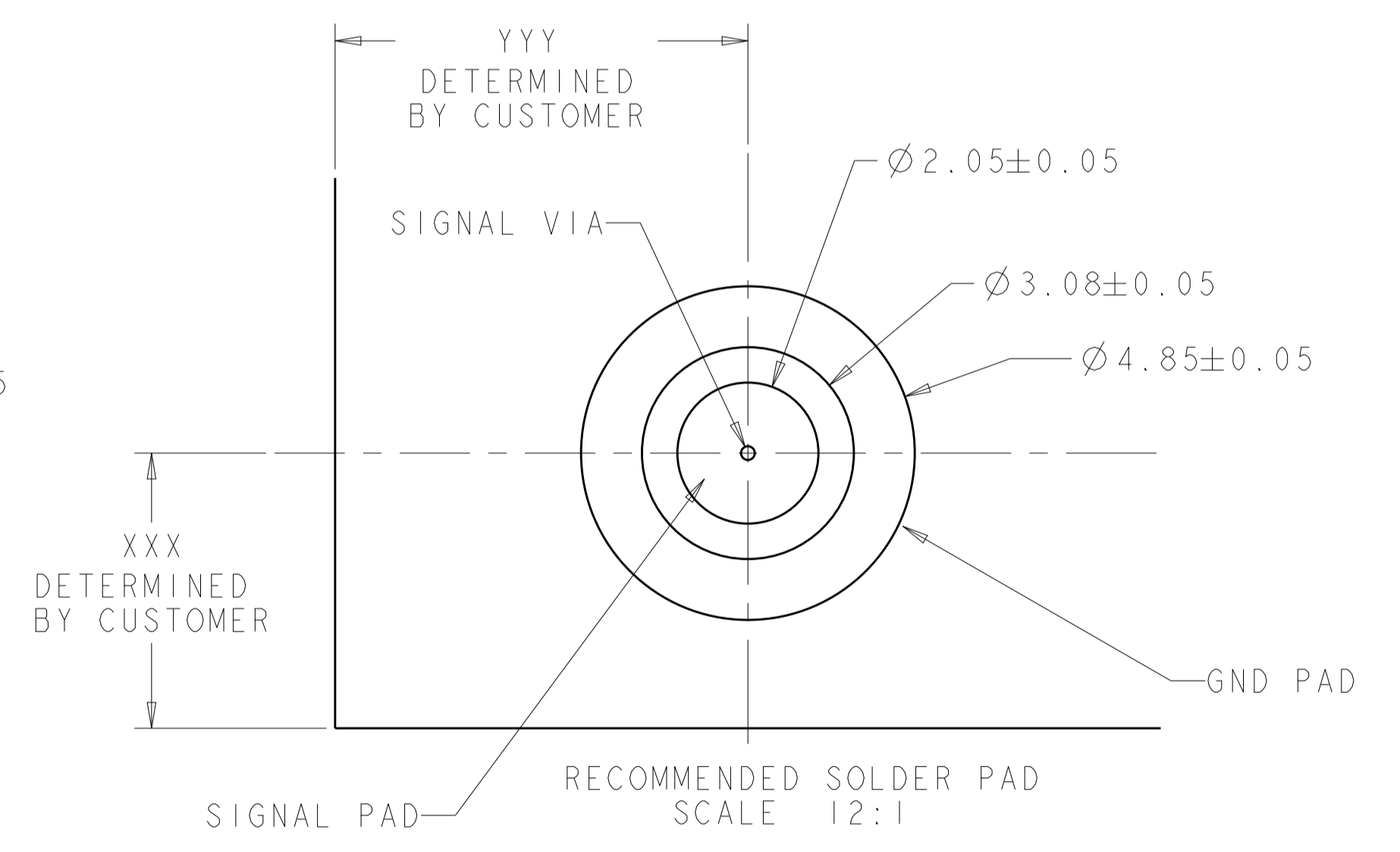
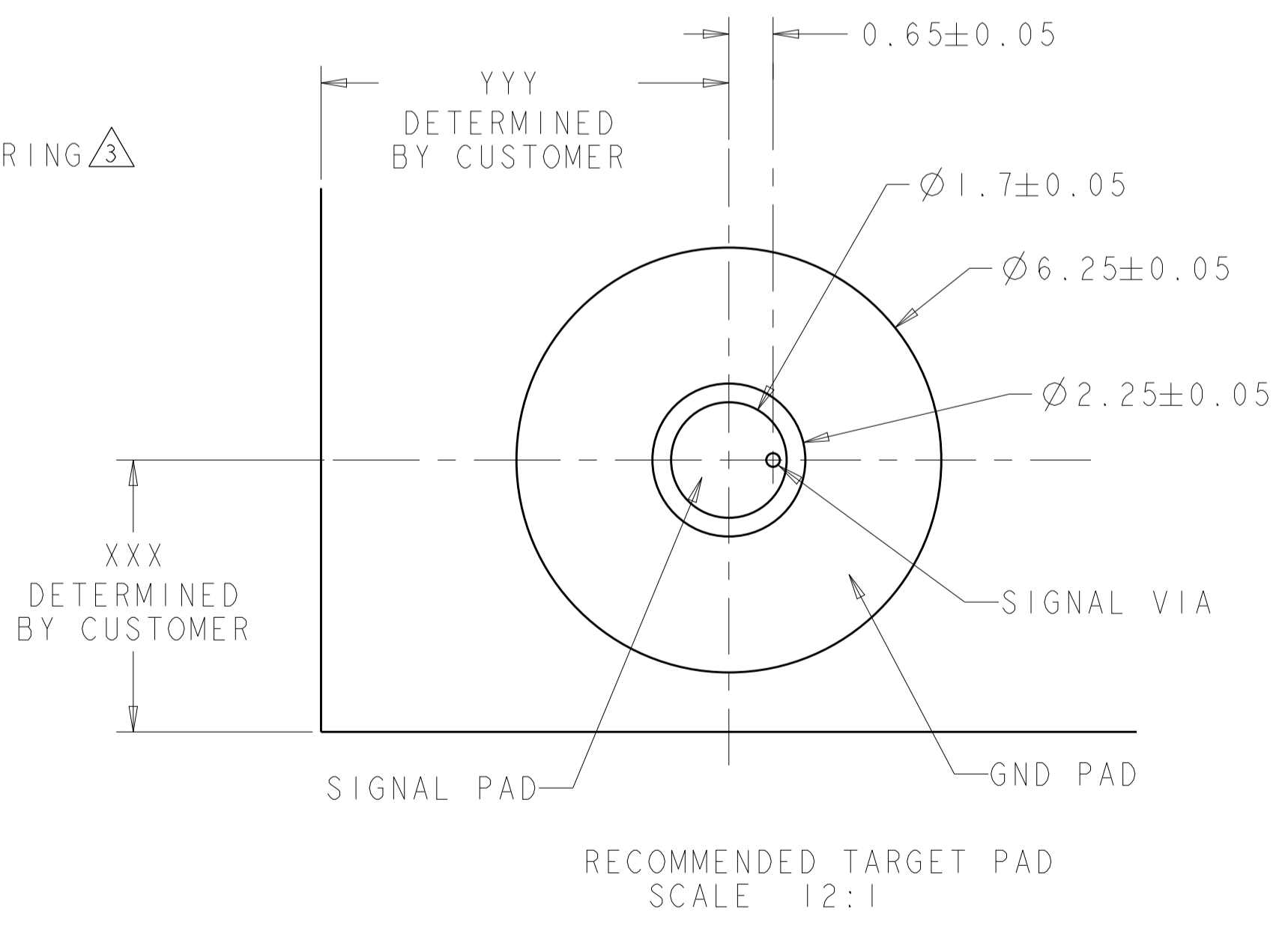
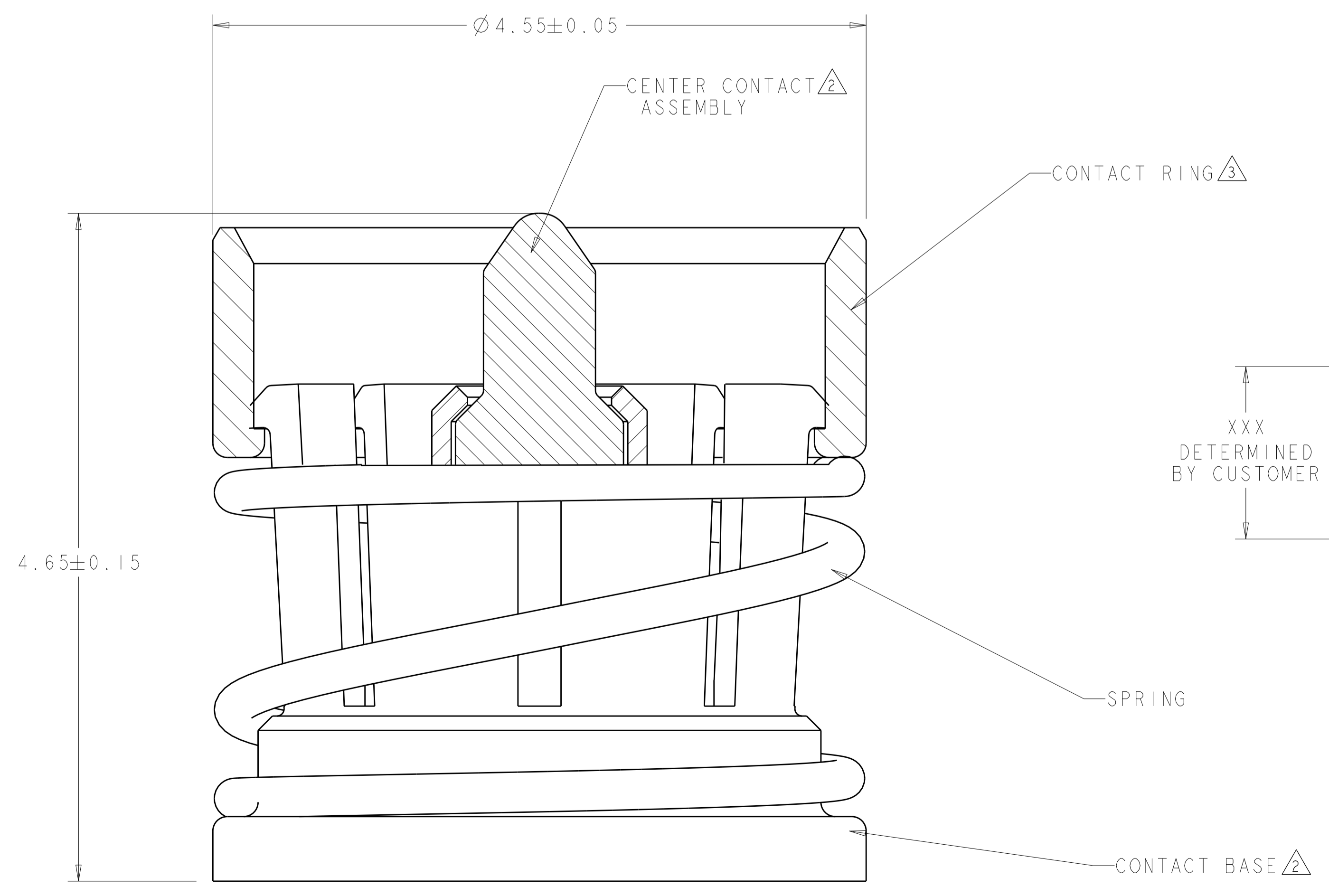
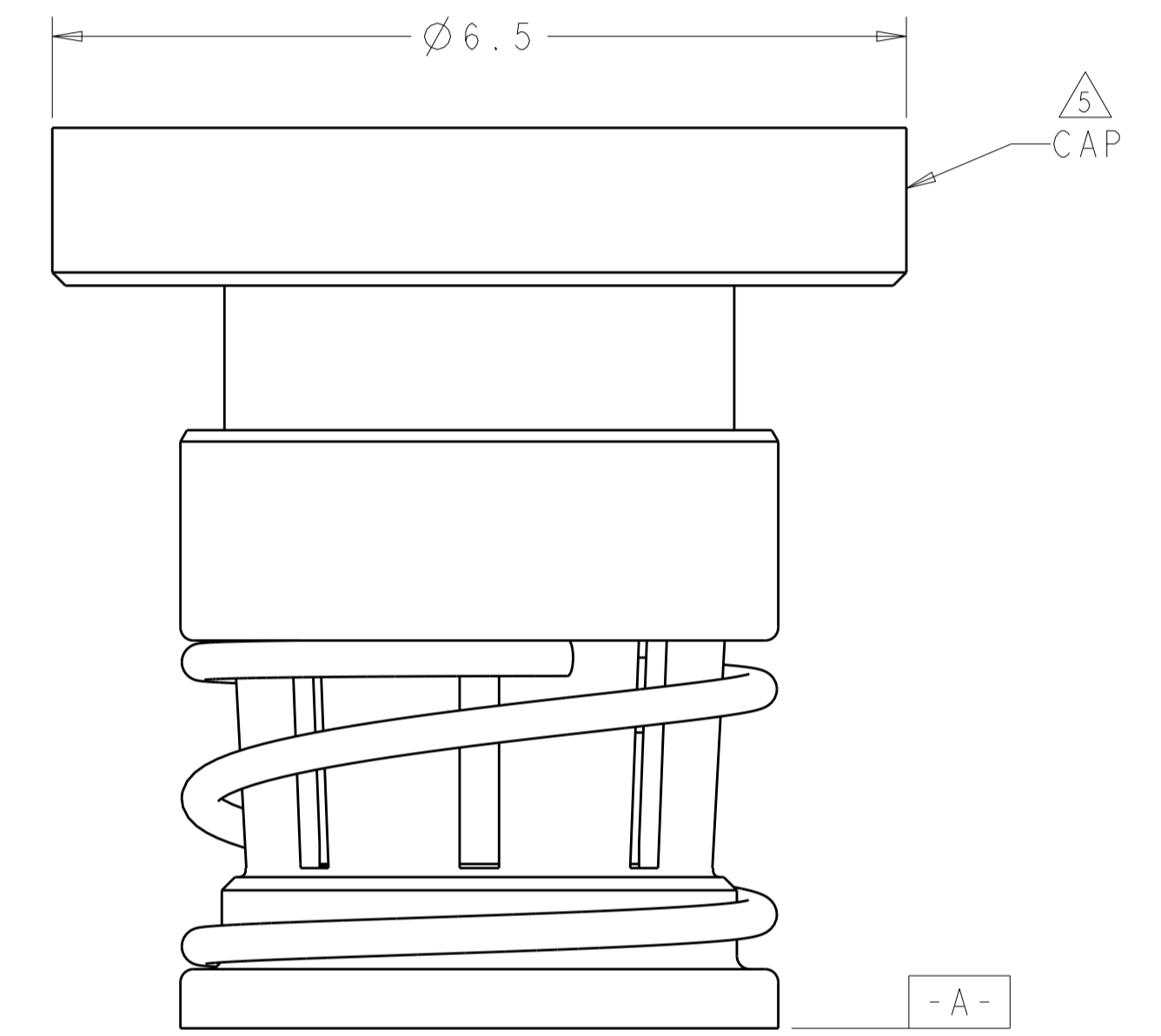
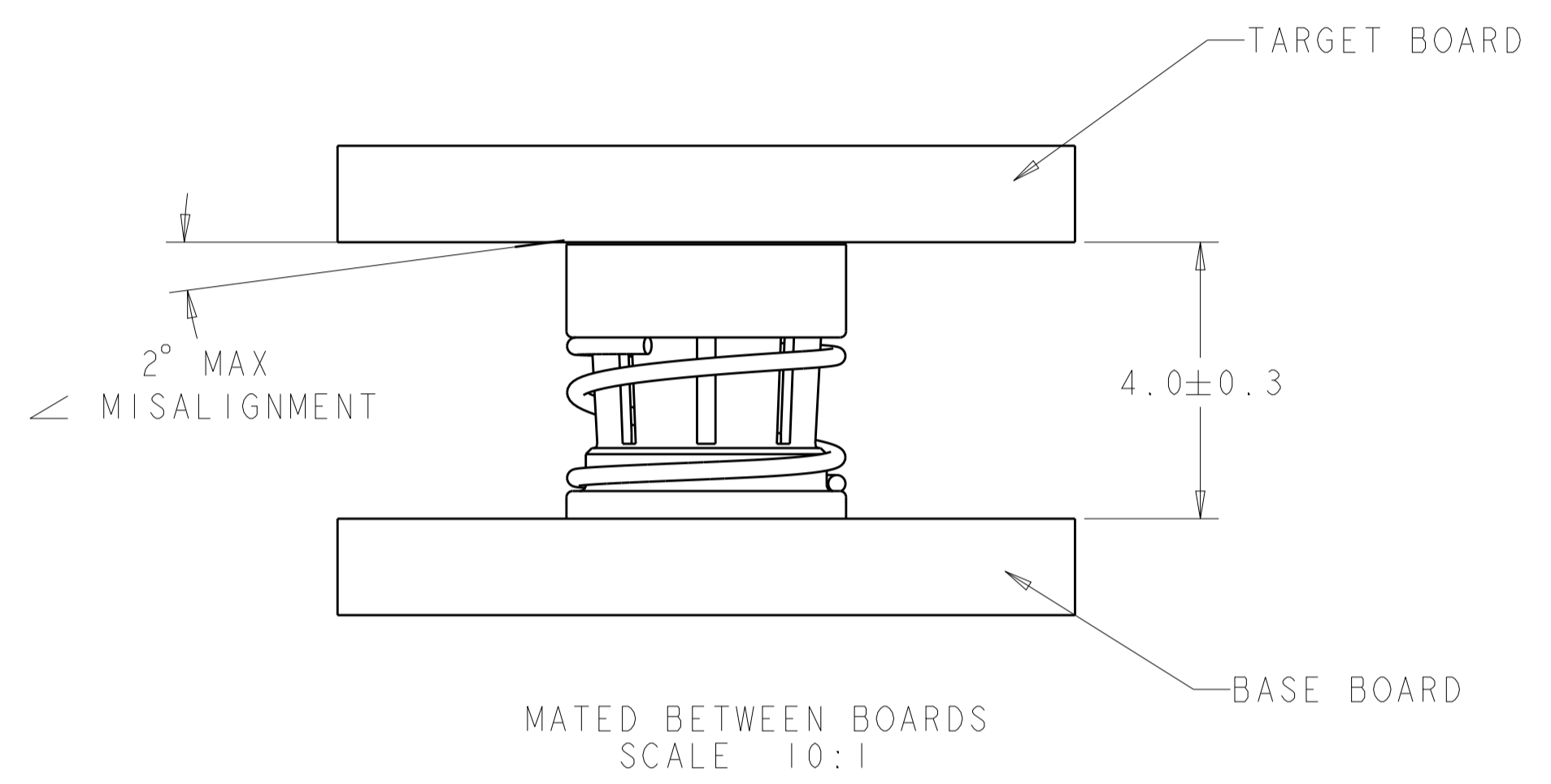
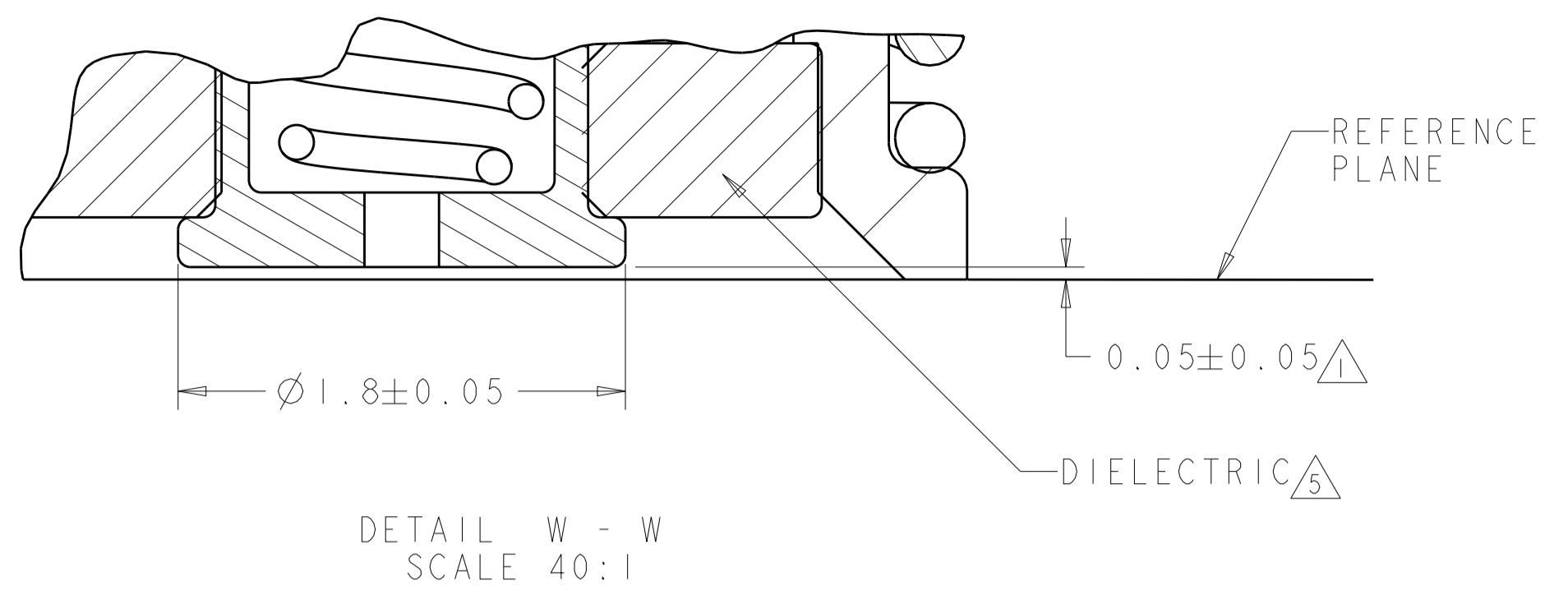
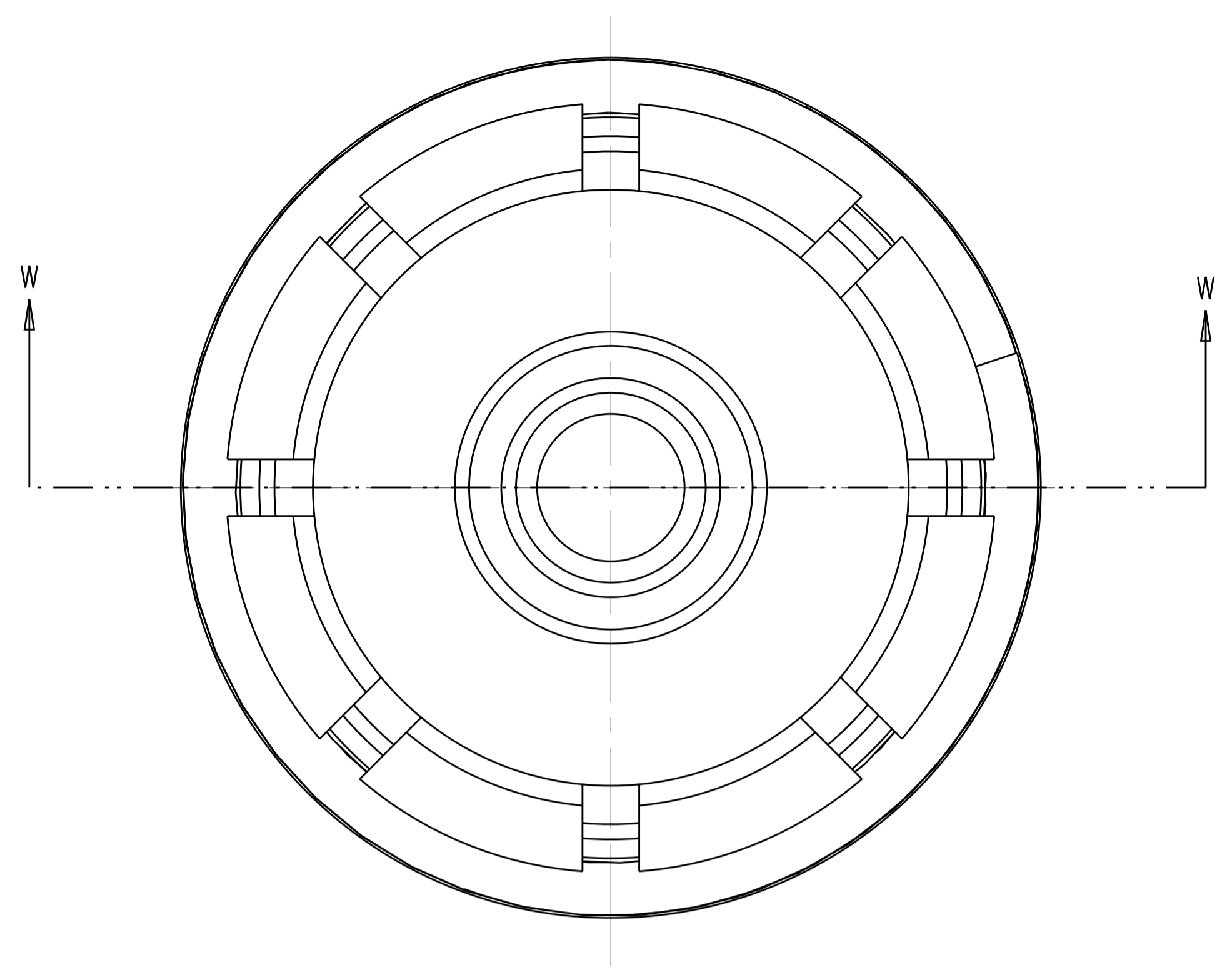


LOC	DIST	REV	DATE	BY	APPV
AG	00	E2	31MAY2018	BW	RS

- 1 POSITION CENTER CONTACT
- 2 MATERIAL: PHOS - BRONZE, PLATING: 0.3 - 0.5 μm MIN GOLD OVER 4.0 - 6.0 μm MIN NICKEL.
- 3 MATERIAL: BRASS, PLATING: 0.3 - 0.5 μm MIN GOLD OVER 4.0 - 6.0 μm MIN NICKEL.
- 4 MISALIGNMENT BETWEEN CONNECTOR AXIS AND TARGET PAD, 0.80 mm MAX.
- 5 MATERIAL: PTFE



SIZE	QTY	DESCRIPTION	PART NUMBER
4.8	750	REELED CONNECTOR	I-1658260-2
4.8	L/P	COAX CONNECTOR	I-1658260-1
6.5	750	REELED CONNECTOR	1658260-2
6.5	L/P	COAX CONNECTOR	1658260-1

THIS DRAWING IS A CONTROLLED DOCUMENT.

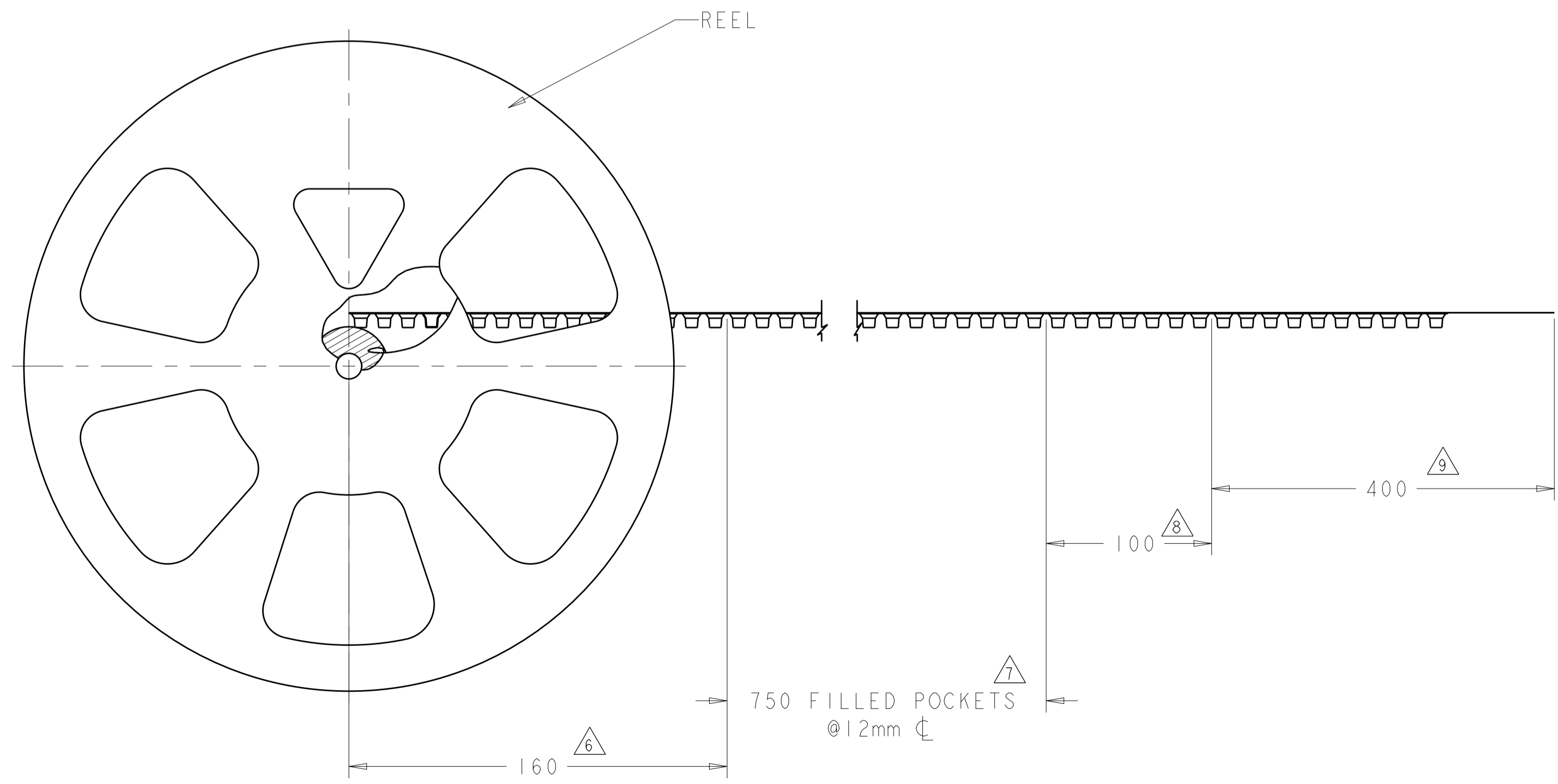
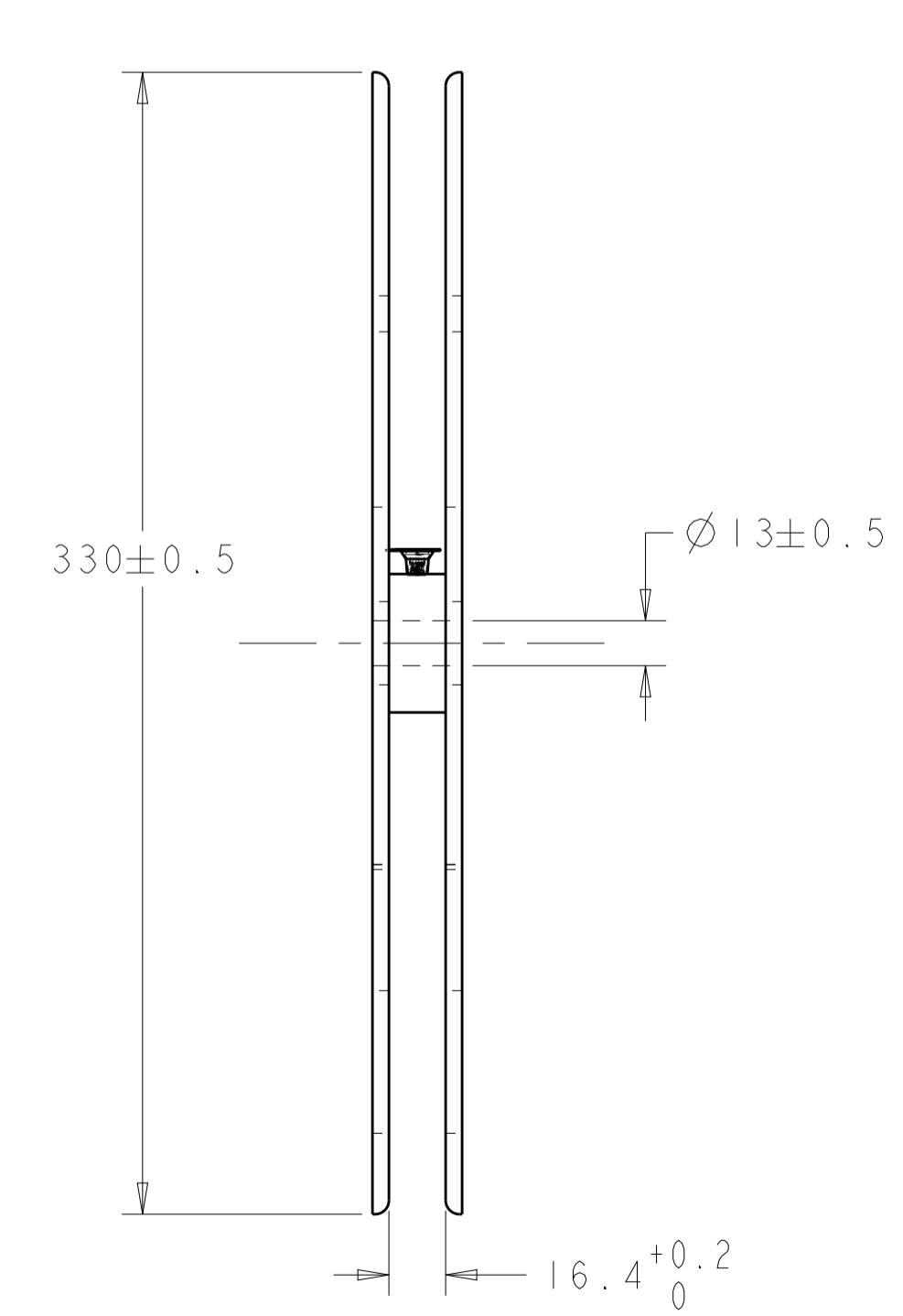
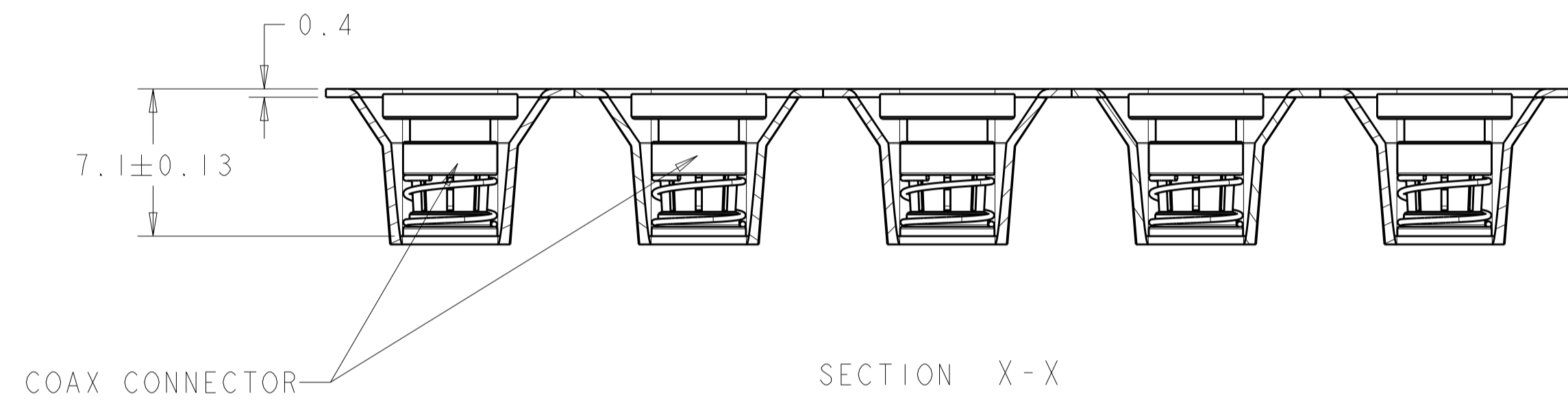
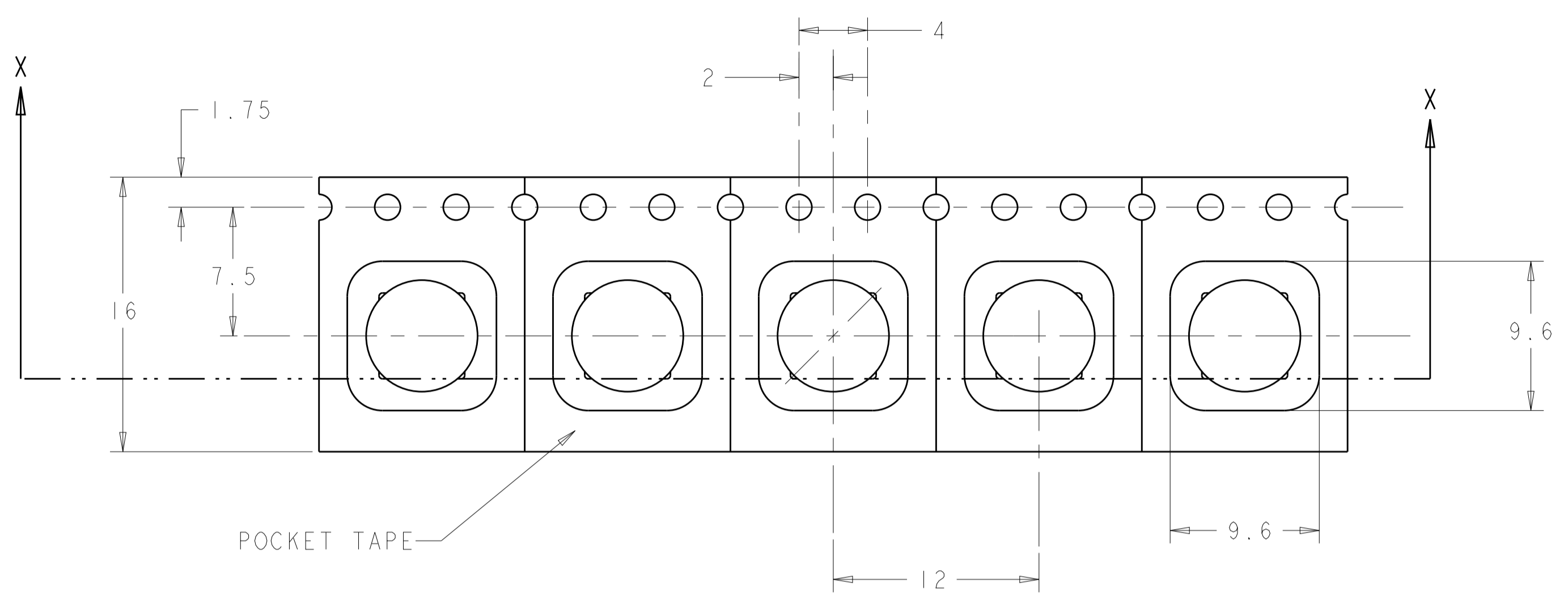
STE TE Connectivity

CONNECTOR, COAXIAL, BOARD TO BOARD 4.0 mm HEIGHT

100779 ©=1658260

SCALE 2:1 SHEET 1 OF 2 REV E2

LOC		DIST		REVISIONS			
P	LTN	DESCRIPTION	DATE	DMN	APVD		
-	-	SEE SHEET 1	-	-	-		



- 6. TRAILER, EMPTY POCKETS WITH COVER TAPE.
- 7. CARRIER POCKETS FILLED WITH 1658260-2, WITH COVER TAPE.
- 8. LEADER, EMPTY POCKETS WITH COVER TAPE.
- 9. LEADER COVER TAPE.
- 10. REELED PRODUCT PER SPEC EIA 481

THIS DRAWING IS A CONTROLLED DOCUMENT.		DMN: JIM VAN SCOIC 21JAN2003	TE Connectivity
DIMENSIONS: mm		CHK: M. PHILLIPS 21JAN2003	
TOLERANCES UNLESS OTHERWISE SPECIFIED:		APVD: M. PHILLIPS 21JAN2003	NAME: CONNECTOR, COAXIAL, BOARD TO BOARD 4.0 mm HEIGHT
0 PLC ±	1 PLC ±0.2	PRODUCT SPEC	SIZE: A100779C=1658260
2 PLC ±0.05	3 PLC ±	APPLICATION SPEC	RESTRICTED TO
4 PLC ±	ANGLES ±	WEIGHT	SCALE: 4:1 SHEET 2 OF 2 REV: E2
MATERIAL	FINISH	CUSTOMER DRAWING	