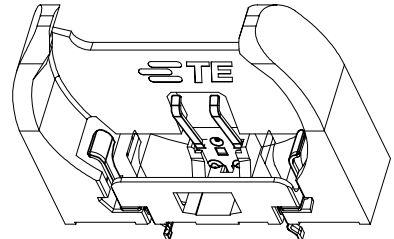
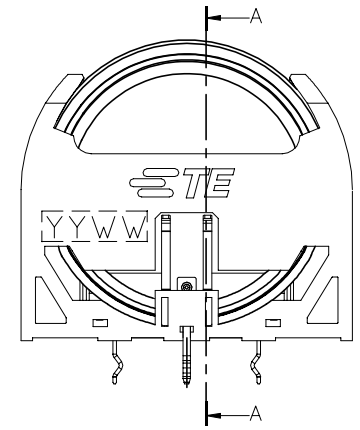
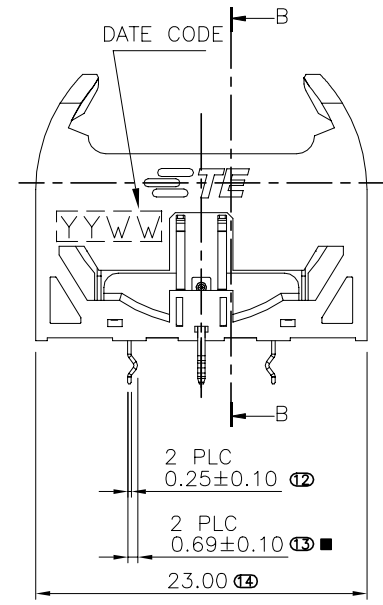
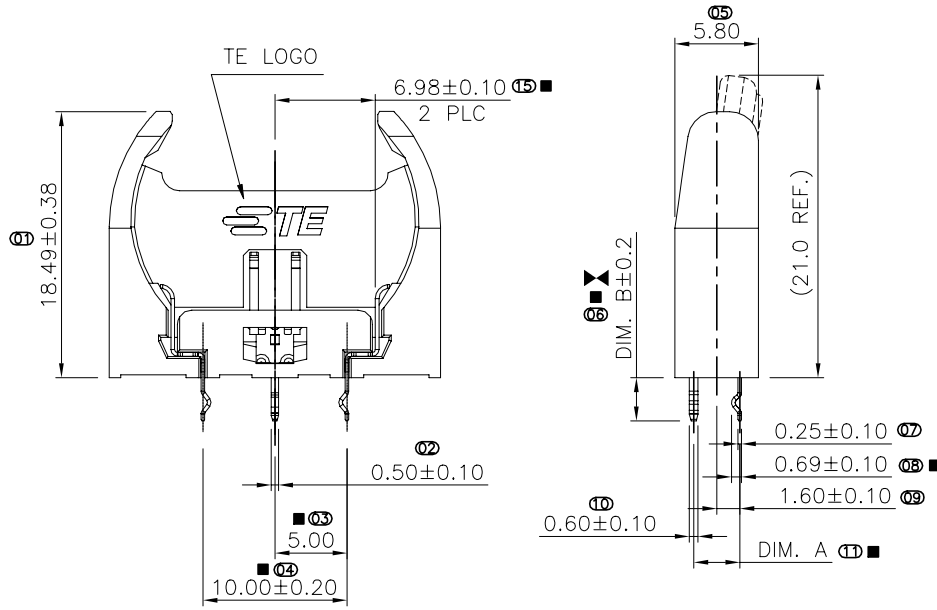
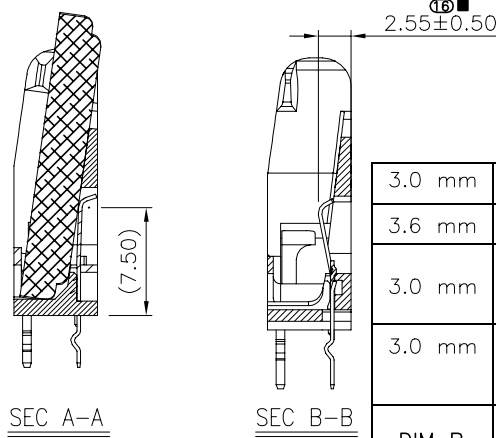


USED ON —



NOTES :
 ■ PRODUCT MUST MEET CONTROLLED SUBSTANCES PER TE SPEC TEC-138-702.

1. MATERIAL :
 - 1.1 HOUSING: PA-66 (NAN YA, 6410G5) WITH 25% GF. 20% REGRIND, UL94 V-0 COLOR: SEE TABLE
 - 1.2 CONTACT: STAINLESS STEEL, SUS 304-3/4H, T=0.25±0.02mm.
2. FINISH : (MATTE-TIN PER TE SPEC 112-65-1)
 - 2.1 CONTACT
 - 0.0254um [1u"] MIN. GOLD PLATING ON CONTACT AREA,
 - 2.54um [100u"] MIN. MATTE-TIN ON SOLDER TAIL.
 - 0.76um [30u"] MIN. NICKEL UNDERPLATING OVERALL.
3. "⊗" SHOWS CPK MEASUREMENT ITEMS.
4. "⊕" SHOWS FAI MEASUREMENT ITEMS.
5. "■" SHOWS QIP INSPECTION ITEMS.
6. "POM#" INDICATE THE MEASUREMENT POINT OF PLATING.
7. SUITABLE FOR BATTERY NO.: CR2032.
8. CONTACT RETENTION FORCE: 1.0 Kgf/PIN.
9. HOUSING CAVITY: 8 CAVITIES.
10. DATE CODE : YYWW (YY: YEAR, WW: WEEK)
11. PURCHASE FROM TOP YANG CO. LTD OR TE ENGINEERING APPROVED EQUIVALENT



3.0 mm	3.2 mm	PA-66 & BLACK	2-1775485-4
3.6 mm	3.6 mm	PA-66 & BLACK	2-1775485-1
3.0 mm	3.2 mm	PA-66 & 2718C BLUE	1-1775485-2
		PA-66 & BLACK	1-1775485-1
3.0 mm	3.6 mm	PA-66 & 2718C BLUE	1775485-2
		PA-66 & BLACK	1775485-1
DIM B	DIM A	HOUSING COLOR	PART NO.

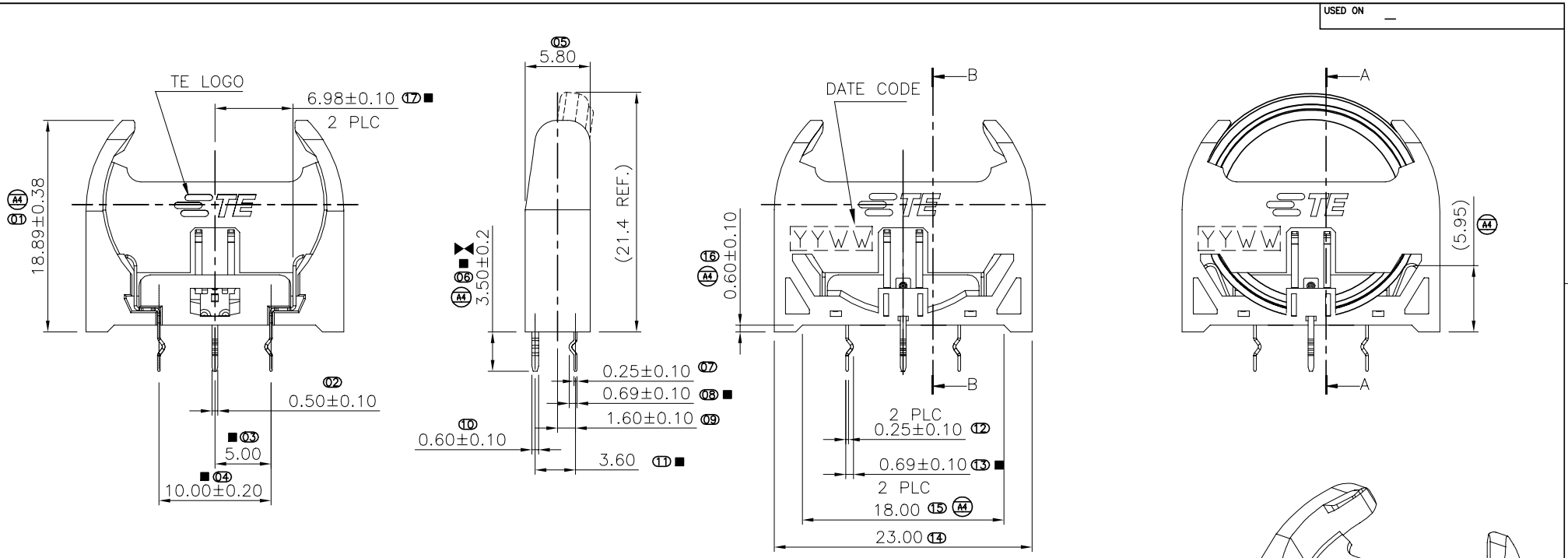
DWN	12DEC2006	MATERIAL	HEAT TREAT
J. LEE		SEE NOTE	SEE NOTE
CHK	12DEC2006	TE Connectivity	
S. HOU			
APVD	12DEC2006		
NAME			
BATTERY HOLDER, H=18.5mm, V/T			
SCALE	SIZE	DRAWING NO	SHEET OF REV
-	A3	1775485	1 OF 4 B

B	REVISED PER ECO-19-018013	26NOV2019	K.G	W.H	
A5	CHANGE SOLDER TAIL FOR 1775485-3	21DEC2018	K.G	W.H	
P	LTR	REVISION RECORD	DATE	DWN	APVD

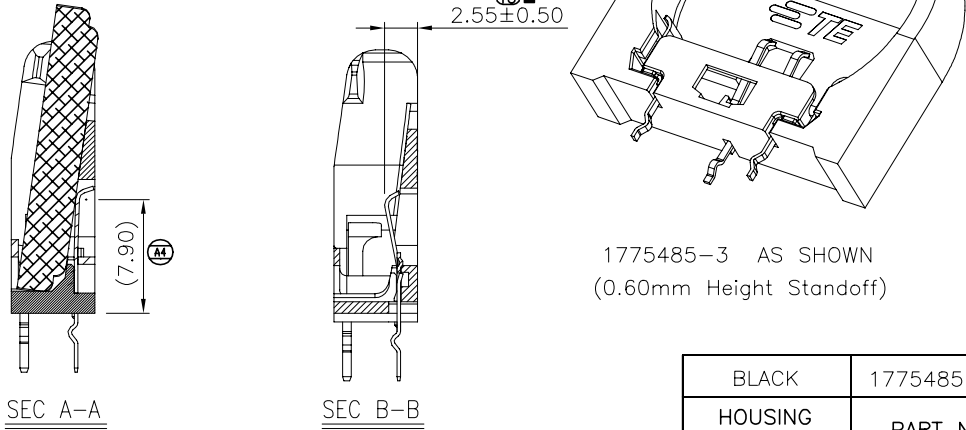
DIMENSIONS:	TOLERANCES UNLESS OTHERWISE SPECIFIED:
MM	0 PLC ±
	1 PLC ± 0.30
	2 PLC ± 0.20
	3 PLC ± 0.10
	4 PLC ±
ANGLES ±	3°
SURFACE TEXTURE	√

THIS INFORMATION IS CONFIDENTIAL AND PROPRIETARY TO TYCO ELECTRONICS CORPORATION AND ITS WORLDWIDE SUBSIDIARIES AND AFFILIATES. IT MAY NOT BE DISCLOSED TO ANYONE OTHER THAN TYCO ELECTRONICS CORPORATION, HARRISBURG, PENNSYLVANIA, USA.

LOC
DW
DIST



- NOTES :
- PRODUCT MUST MEET CONTROLLED SUBSTANCES PER TE SPEC TEC-138-702.
 - 1. MATERIAL :
 - 1.1 HOUSING: PA-66 (NAN YA, 6410G5) WITH 25% GF. 25% REGRIND MAX, UL94 V-0 COLOR: BLACK
 - 1.2 CONTACT: STAINLESS STEEL, SUS 304-3/4H, T=0.25±0.02mm.
 - 2. FINISH : (MATTE-TIN PER TE SPEC 112-65-1)
 - 2.1 CONTACT
 - 0.0254um [1u"] MIN. GOLD PLATING ON CONTACT AREA,
 - 2.54um [100u"] MIN. MATTE-TIN ON SOLDERTAIL.
 - 0.76um [30u"] MIN. NICKEL UNDERPLATING OVERALL.
 - 3. "X" SHOWS CPK MEASUREMENT ITEMS.
 - 4. "O" SHOWS FAI MEASUREMENT ITEMS.
 - 5. "■" SHOWS QIP INSPECTION ITEMS.
 - 6. "POM#" INDICATE THE MEASUREMENT POINT OF PLATING.
 - 7. SUITABLE FOR BATTERY NO.: CR2032.
 - 8. CONTACT RETENTION FORCE: 1.0 Kgf/PIN.
 - 9. HOUSING CAVITY: 8 CAVITIES.
 - 10. DATE CODE : YYWW (YY: YEAR, WW: WEEK)
 - 11. PURCHASE FROM TOP YANG CO. LTD OR TE ENGINEERING APPROVED EQUIVALENT



1775485-3 AS SHOWN
(0.60mm Height Standoff)

BLACK	1775485-3
HOUSING COLOR	PART NO.

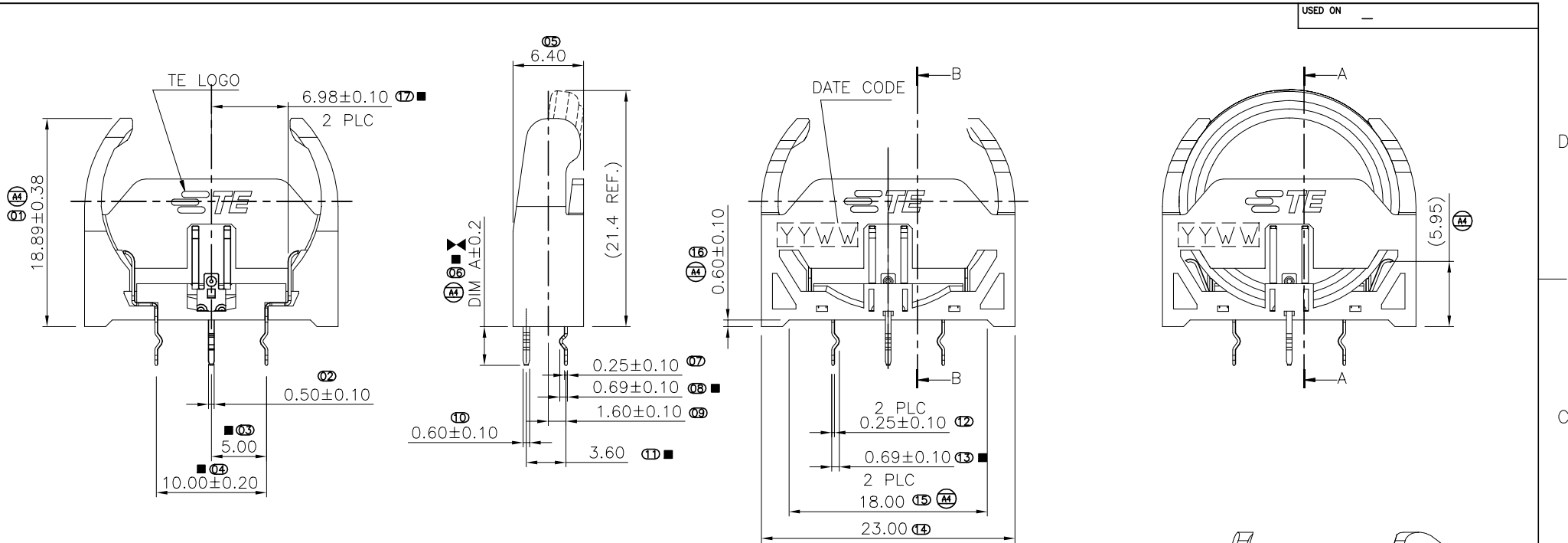
DWN	12DEC2006	MATERIAL	HEAT TREAT
J. LEE		SEE NOTE	SEE NOTE
CHK	12DEC2006	TE Connectivity	
S. HOU			
APVD	12DEC2006		
NAME			
BATTERY HOLDER, H=18.5mm, V/T			
SCALE	SIZE	DRAWING NO	SHEET
-	A3	1775485	2 OF 4
			REV
			B

DIMENSIONS:		TOLERANCES UNLESS OTHERWISE SPECIFIED:	
MM		0 PLC	±
		1 PLC	± 0.30
		2 PLC	± 0.20
		3 PLC	± 0.10
		4 PLC	±
ANGLES ± 3°			
SURFACE TEXTURE			

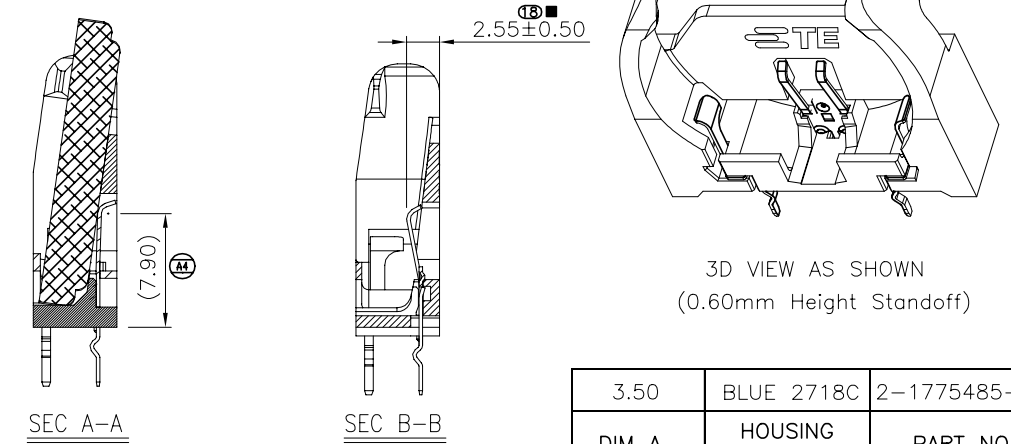
P	LTR	REVISION RECORD	DATE	DWN	APVD

LOC	DW
DIST	-

THIS INFORMATION IS CONFIDENTIAL AND PROPRIETARY TO TYCO ELECTRONICS CORPORATION AND ITS WORLDWIDE SUBSIDIARIES AND AFFILIATES. IT MAY NOT BE DISCLOSED TO ANYONE OTHER THAN TYCO ELECTRONICS CORPORATION, HARRISBURG, PENNSYLVANIA, USA.



- NOTES :
- PRODUCT MUST MEET CONTROLLED SUBSTANCES PER TE SPEC TEC-138-702.
 - 1. MATERIAL :
 - 1.1 HOUSING: PA-10T(KINGFA 6115NH) WITH 15% GF. 25% REGRIND MAX, UL94 V-0 COLOR: SEE TABLE
 - 1.2 CONTACT: STAINLESS STEEL, SUS 304-3/4H, T=0.25±0.02mm.
 - 2. FINISH : (MATTE-TIN PER TE SPEC 112-65-1)
 - 2.1 CONTACT
 - 0.0254um [1u"] MIN. GOLD PLATING ON CONTACT AREA,
 - 2.54um [100u"] MIN. MATTE-TIN ON SOLDERTAIL.
 - 0.76um [30u"] MIN. NICKEL UNDERPLATING OVERALL.
 - 3. "X" SHOWS CPK MEASUREMENT ITEMS.
 - 4. "*" SHOWS FAI MEASUREMENT ITEMS.
 - 5. "■" SHOWS QIP INSPECTION ITEMS.
 - 6. "POM#" INDICATE THE MEASUREMENT POINT OF PLATING.
 - 7. SUITABLE FOR BATTERY NO.: CR2032.
 - 19 ■ 8. CONTACT RETENTION FORCE: 1.0 Kgf/PIN.
 - 20 ■ 9. HOUSING RUPTURE STRENGTH: 3.5 Kgf MIN.
 - 10. HOUSING CAVITY: 8 CAVITIES.
 - 11. DATE CODE : YYWW (YY: YEAR, WW: WEEK)
 - 12. PURCHASE FROM TOP YANG CO. LTD OR TE ENGINEERING APPROVED EQUIVALENT



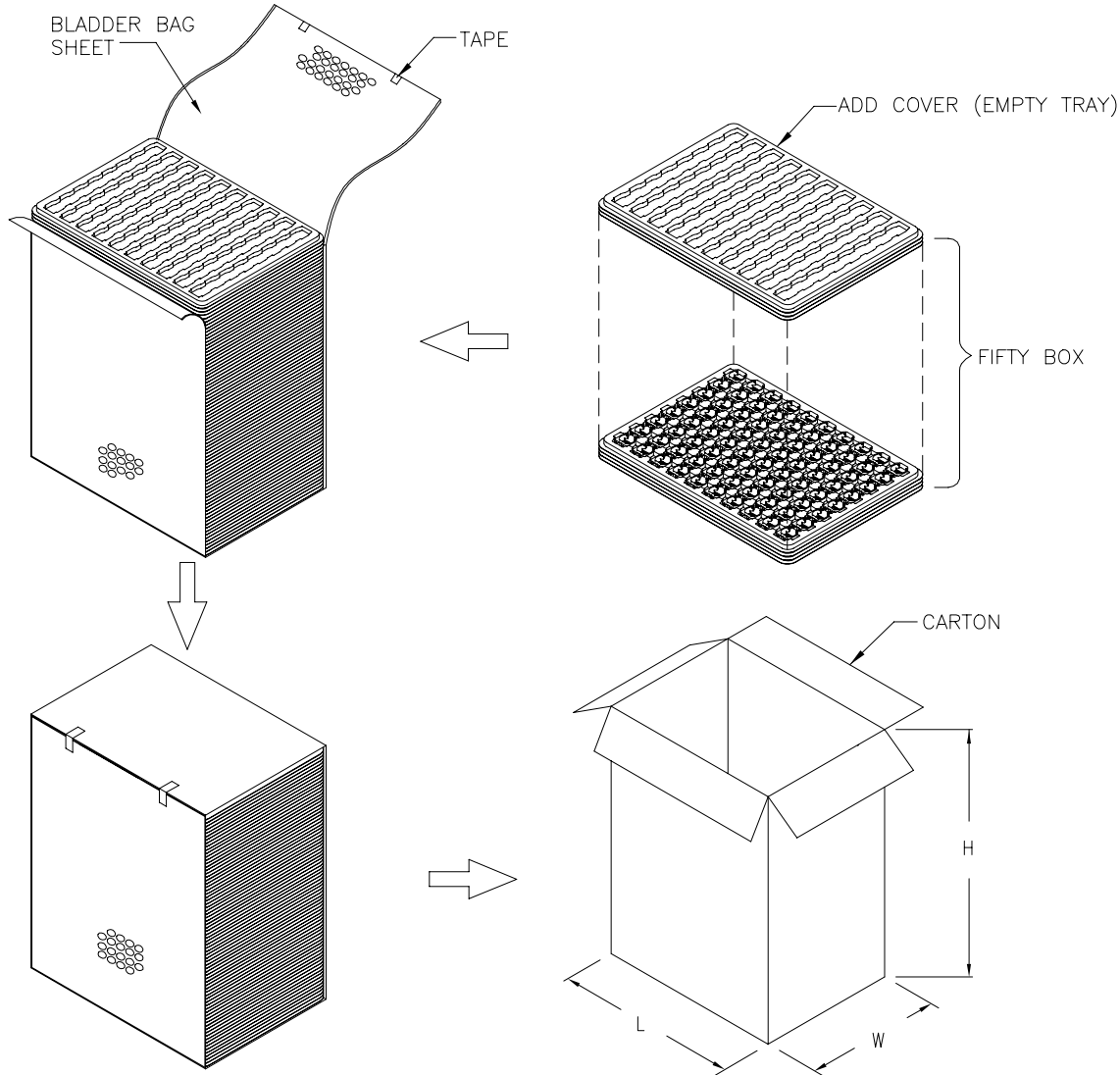
3.50	BLUE 2718C	2-1775485-2
DIM A	HOUSING COLOR	PART NO.

LOC	DW								
DIST									
P	LTR	REVISION RECORD	DATE	DWN	APVD				

DIMENSIONS:		TOLERANCES UNLESS OTHERWISE SPECIFIED:	
MM		0 PLC	±
		1 PLC	± 0.30
		2 PLC	± 0.20
		3 PLC	± 0.10
		4 PLC	±
ANGLES ± 3°		SURFACE TEXTURE	
		✓	

DWN	12DEC2006	MATERIAL	HEAT TREAT
J. LEE		SEE NOTE	SEE NOTE
CHK	12DEC2006	TE Connectivity	
S. HOU			
APVD	12DEC2006		
NAME	BATTERY HOLDER, H=18.5mm, V/T		
SCALE	SIZE	DRAWING NO	SHEET
-	A3	1775485	3 OF 4
			REV
			B

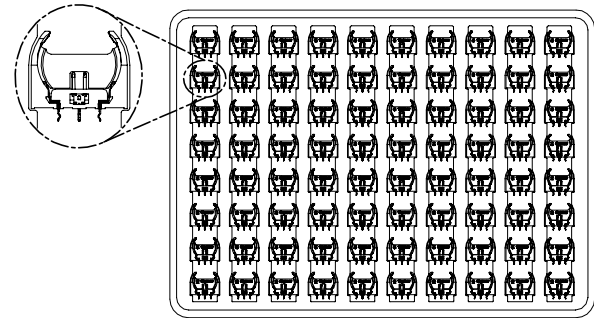
THIS INFORMATION IS CONFIDENTIAL AND PROPRIETARY TO TYCO ELECTRONICS CORPORATION AND ITS WORLDWIDE SUBSIDIARIES AND AFFILIATES. IT MAY NOT BE DISCLOSED TO ANYONE OTHER THAN TYCO ELECTRONICS CORPORATION, HARRISBURG, PENNSYLVANIA, USA.



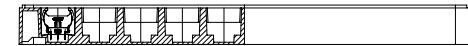
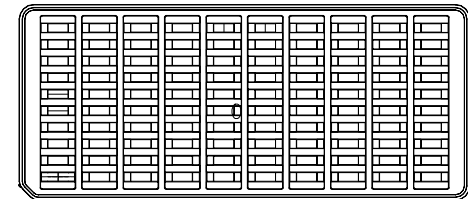
NOTES :
 PACKAGING MATERIAL IN PLASTIC, RUBBER, INK, PIGMENT AND PAINT MUST MEET CONTROLLED SUBSTANCES SPEC PER TEC-138-702.

- * CADMIUM AND CADMIUM COMPOUNDS NOT TO EXCEED: 5 PPM.
- * LEAD, CADMIUM, CHROM VI AND MERCURY NOT TO EXCEED: 100 PPM (COMBINED).

1. MATERIAL:
 - 1775485-1/1775485-2/1-1775485-1 SOFT TRAY(PVC)
 - 1-1775485-2/2-1775485-1 SOFT TRAY(PVC)
 - 2-1775485-2/1775485-3 SOFT TRAY(PET)
 - 2-1775485-4 HARD TRAY(HIPS)
2. DIMENSION:
 - 2.1 SOFT TRAY: L=345, W=250, H=7.4
 - 2.2 HARD TRAY: L=313, W=136, H=27.5
3. QUANTITY:
 - 3.1 PRIMARY PACKING: 80 PCS/TRAY SOFT TRAY(PVC)
 - 100 PCS/TRAY HARD TRAY(HIPS)
 - 3.2 SECONDARY PACKING: 50 TRAY/CARTON(4,000PCS)
 - 20 TRAY/CARTON(2,000PCS)



SOFT TRAY



HARD TRAY

DWN	MATERIAL	HEAT TREAT
CHK		
APVD	TE TE Connectivity	
NAME	BATTERY HOLDER, H=18.5mm, V/T	
SCALE	SIZE A3	DRAWING NO 1775485
	SHEET 4	OF 4 REV B

DIMENSIONS: MM		TOLERANCES UNLESS OTHERWISE SPECIFIED:	
		0 PLC	± -
		1 PLC	± -
		2 PLC	± -
		3 PLC	± -
		4 PLC	± -
ANGLES ±		-	
SURFACE TEXTURE		√	

		SEE SHEET 1.			
P	LTR	REVISION RECORD	DATE	DWN	APVD

THIS INFORMATION IS CONFIDENTIAL AND PROPRIETARY TO TYCO ELECTRONICS CORPORATION AND ITS WORLDWIDE SUBSIDIARIES AND AFFILIATES. IT MAY NOT BE DISCLOSED TO ANYONE OTHER THAN TYCO ELECTRONICS CORPORATION, HARRISBURG, PENNSYLVANIA, USA.

LOC DW
DIST