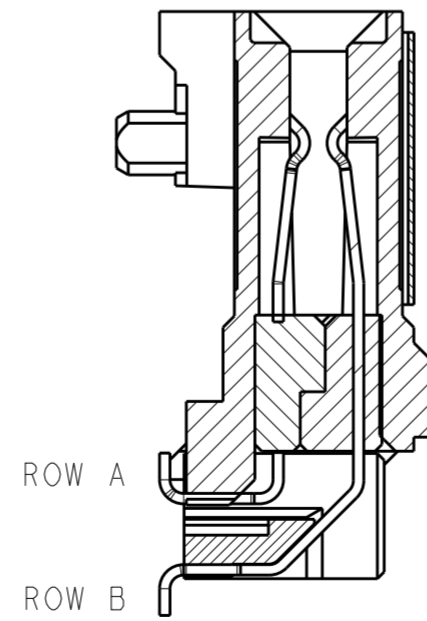
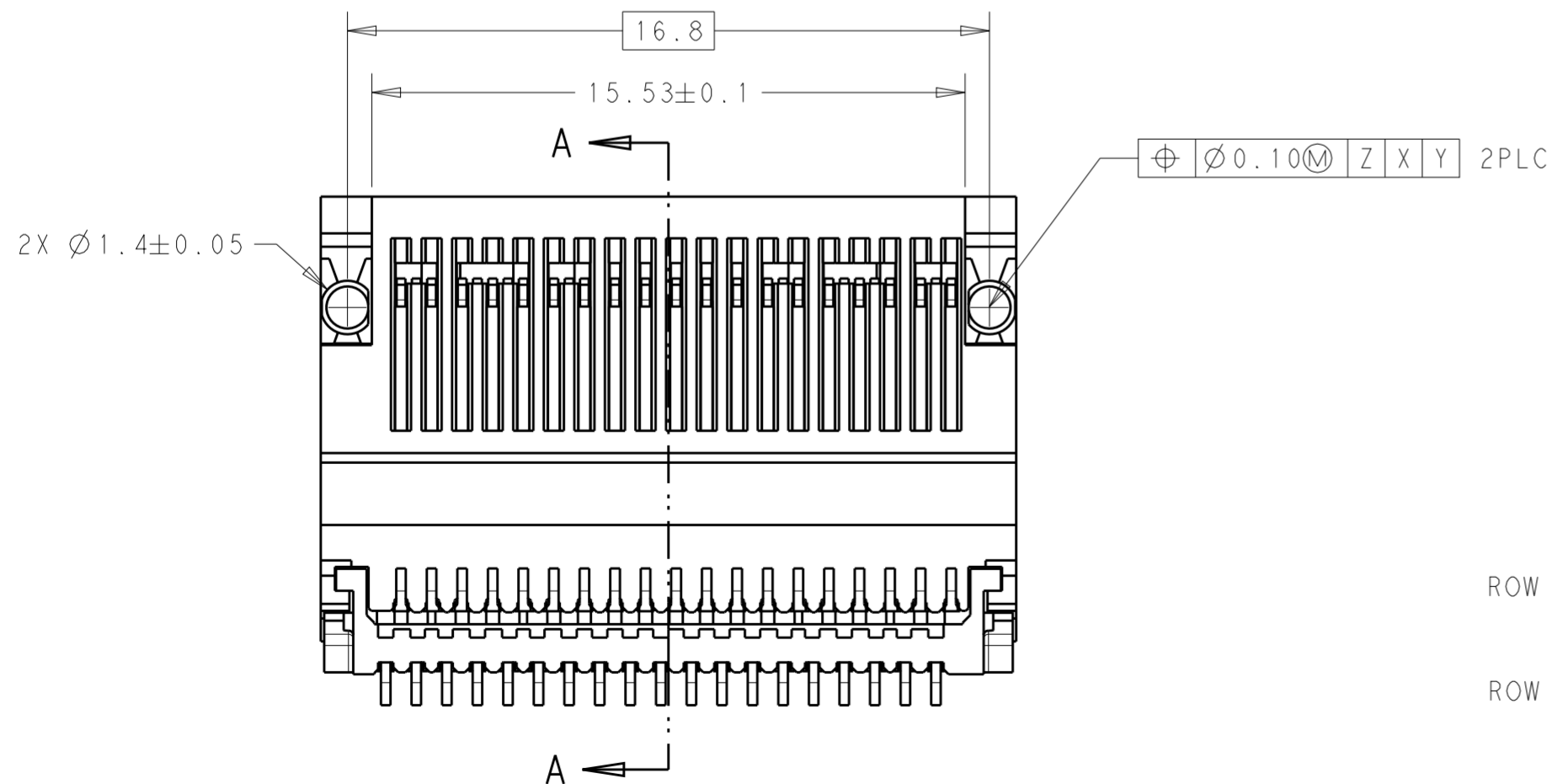
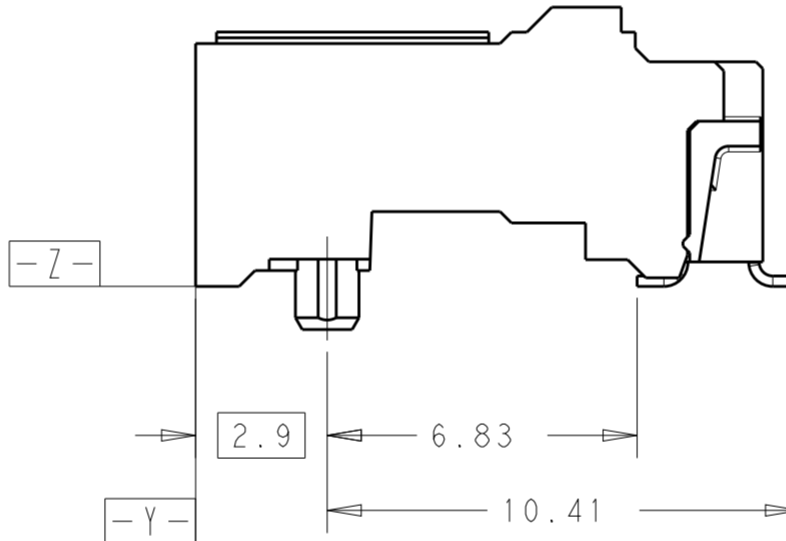
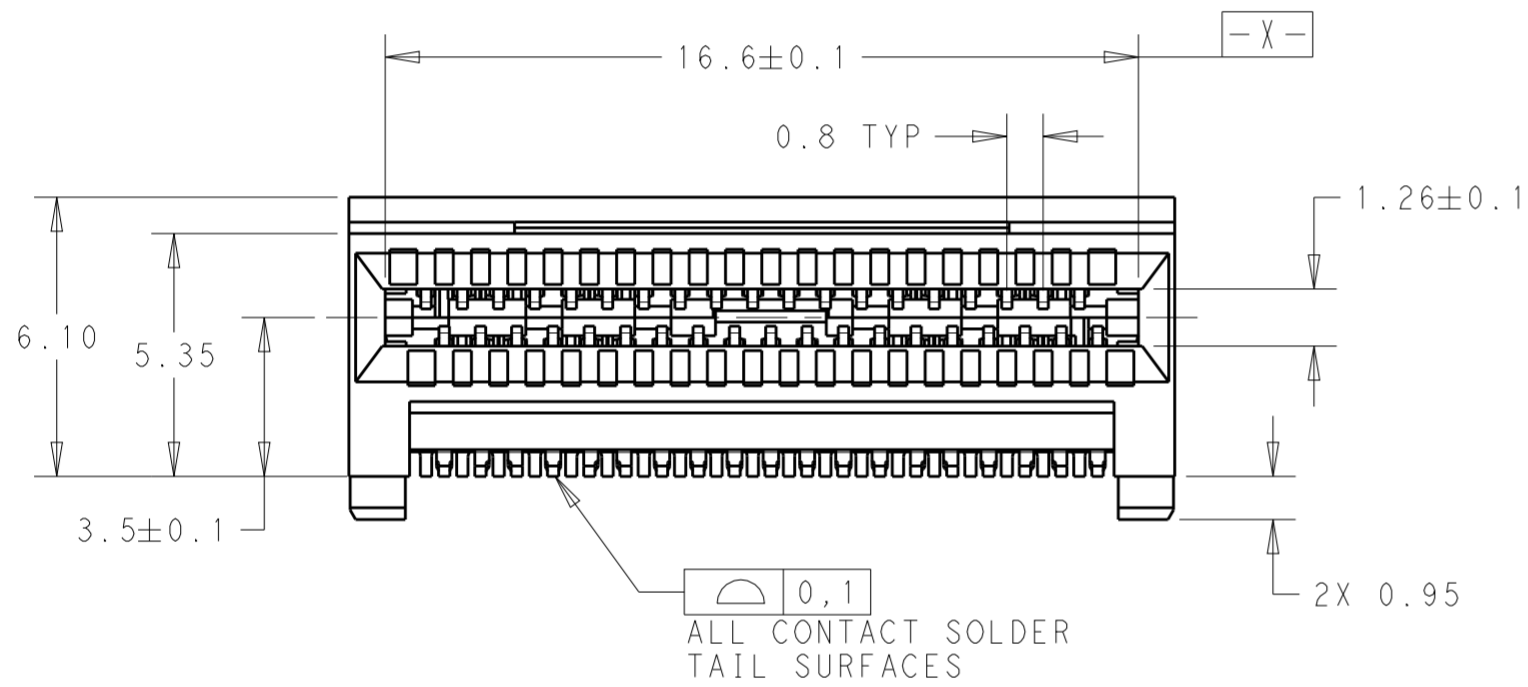
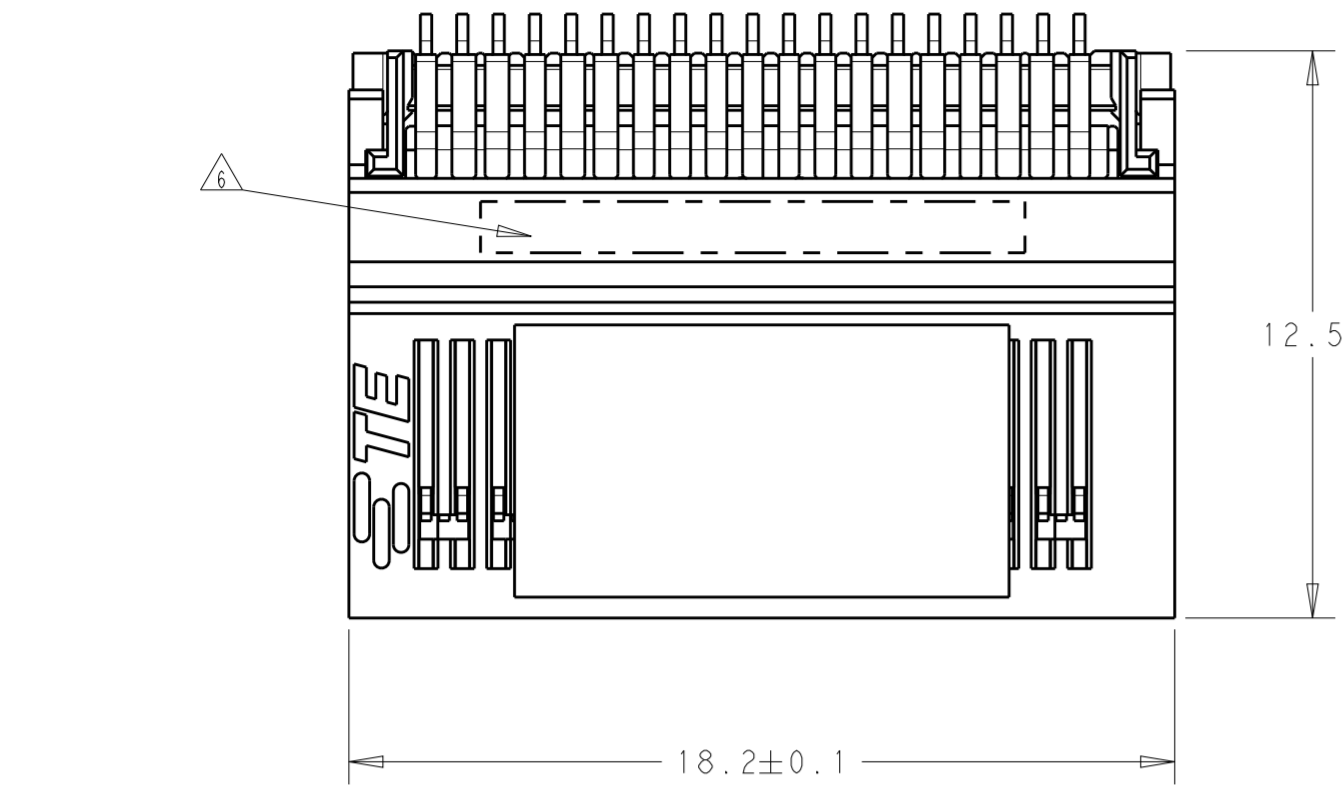


THIS DRAWING IS UNPUBLISHED. RELEASED FOR PUBLICATION  
 © COPYRIGHT - BY - ALL RIGHTS RESERVED.

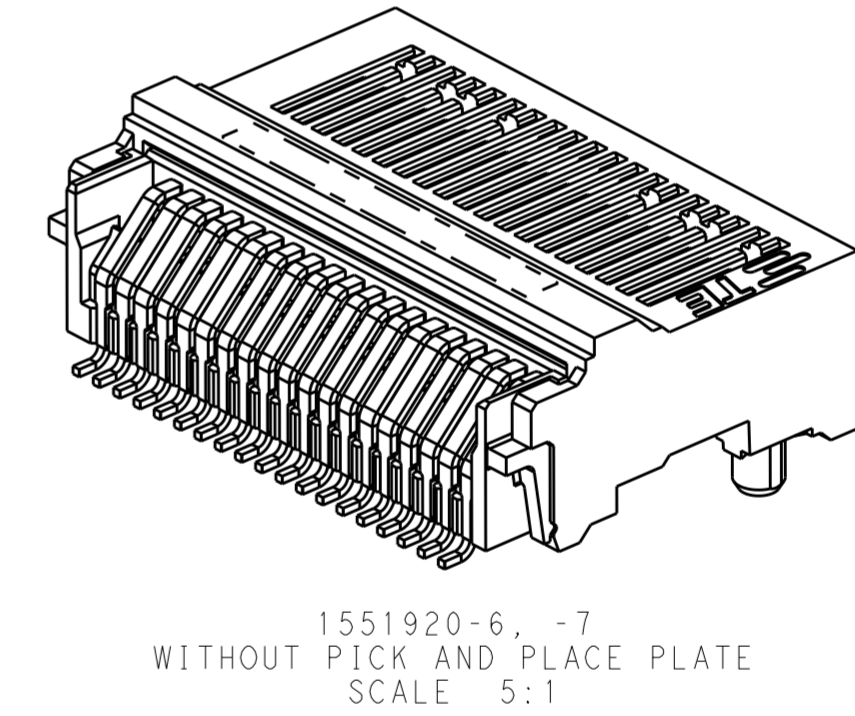
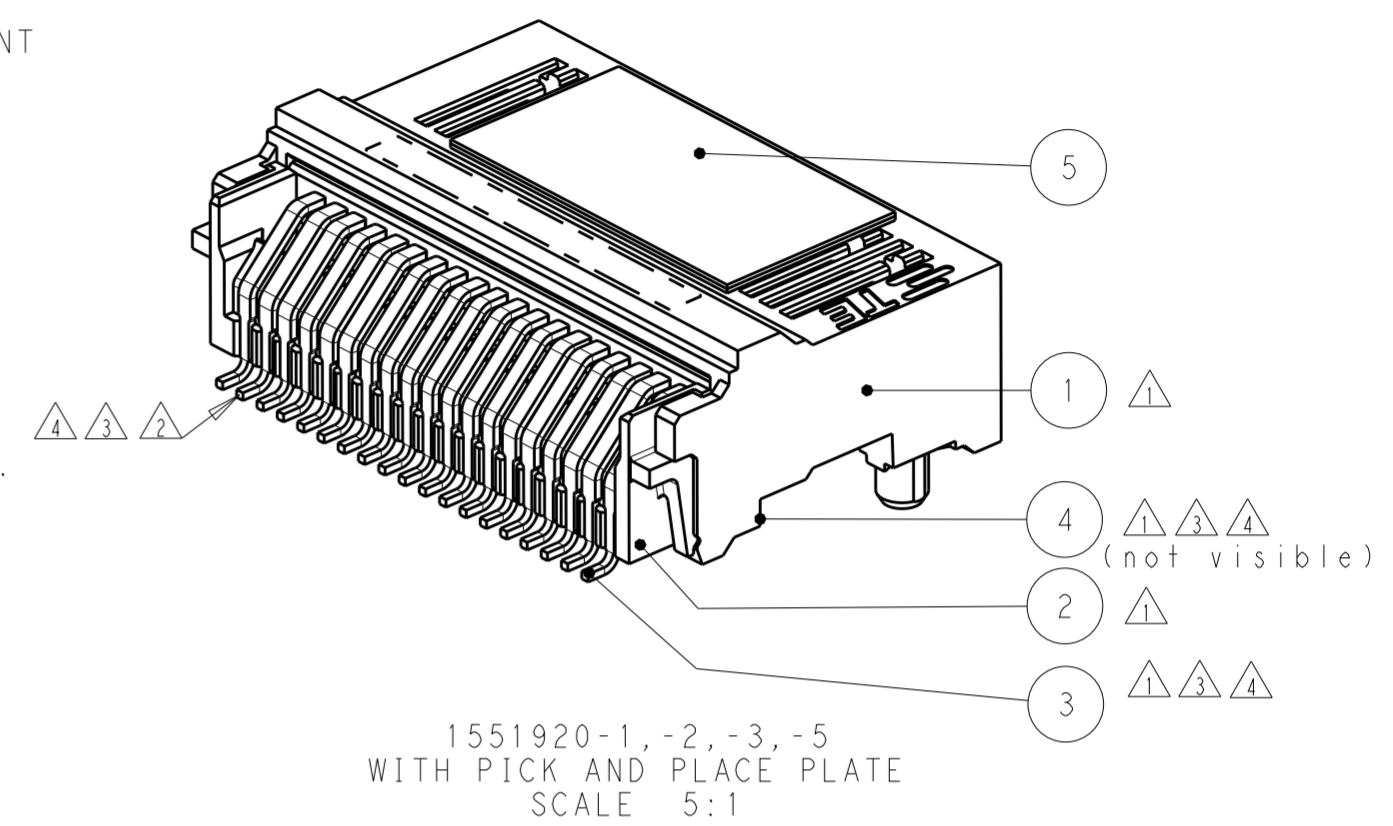
REVISIONS					
P	LTR	DESCRIPTION	DATE	DWN	APVD
K		REVISED PER ECO-16-015248	27SEP2016	JY	SH
L		REVISED PER ECO-17-012438	24AUG2017	JY	SH
M		REVISED PER ECO-19-008000	16MAY2019	JY	SH

1551920-2 AS SHOWN

- 1 MATERIAL: GLASS FILLED LCP (BLACK) FOR HOUSING, ORGANISER AND CONTACT-OVERMOLDS.
- 2 MATERIAL: COPPER ALLOY FOR CONTACTS.
- 3 FINISH: 0,38µm MIN. GOLD, APPLIES TO INTERFACE AREA AND 3,0 µm MIN. MATTE TIN ON SOLDER TAILS, BOTH OVER 1,27 µm MIN. NICKEL ALL OVER. LUBRICANT ON GOLD PLATE CONTACT AREAS.
- 4 FINISH: 0,76µm MIN. GOLD, APPLIES TO INTERFACE AREA AND 3,0 µm MIN. MATTE TIN ON SOLDER TAILS, BOTH OVER 1,27 µm MIN. NICKEL ALL OVER. LUBRICANT ON GOLD PLATE CONTACT AREAS.
- 5 DATUM AND BASIC DIMENSION ESTABLISHED BY CUSTOMER.
- 6 CONNECTOR MARKED WITH PARTNUMBER AND DATE CODE.
- 7 PACKAGE SPEC (TAPE/REEL): WIDTH 32mm X PITCH 20mm.
- 8 PACKAGE SPEC (TAPE/REEL): WIDTH 44mm X PITCH 24mm, PIN 1 IS AT QUADRANT3.
- 9 PACKAGE SPEC (TAPE/REEL): WIDTH 44mm X PITCH 24mm, PIN 1 IS AT QUADRANT2.
- 10 PACKAGE SPEC (TAPE/REEL): WIDTH 44mm X PITCH 24mm, PIN 1 IS AT QUADRANT3. CUSTOMIZED FOR AUTO PICK & PLACE.



SECTION A-A



	1	2	3	4	5	6	7	8	9	10
1551920-1	1	1	1	1	1	1	1	1	1	1
1551920-2	1	1	1	1	1	1	1	1	1	1
1551920-3	1	1	1	1	1	1	1	1	1	1
1551920-4	1	1	1	1	1	1	1	1	1	1
1551920-5	1	1	1	1	1	1	1	1	1	1
1551920-6	1	1	1	1	1	1	1	1	1	1
1551920-7	1	1	1	1	1	1	1	1	1	1

ITEM NO.	DESCRIPTION	PARTNUMBER AND QUANTITY
6	RETENTION WASHER	- - - 2 - - -
5	PICK AND PLACE PLATE	1 1 1 1 1 1 -
4	OVERMOLDED CONTACTS BOTTOM (19 CONTACTS)	1 1 1 1 1 1 1 1
3	OVERMOLDED CONTACTS TOP (19 CONTACTS)	1 1 1 1 1 1 1 1
2	ORGANISER	1 1 1 1 1 1 1 1
1	HOUSING	1 1 1 1 1 1 1 1

THIS DRAWING IS A CONTROLLED DOCUMENT.

DWN: E. ZIJLSTRA 17FEB2011  
 CHK: B. MOOLIJ 17FEB2011  
 APVD: T. d. BOER

PRODUCT SPEC: 108-19428  
 APPLICATION SPEC: 114-32022

NAME: ZQSFP+ CONNECTOR 38 POSITIONS

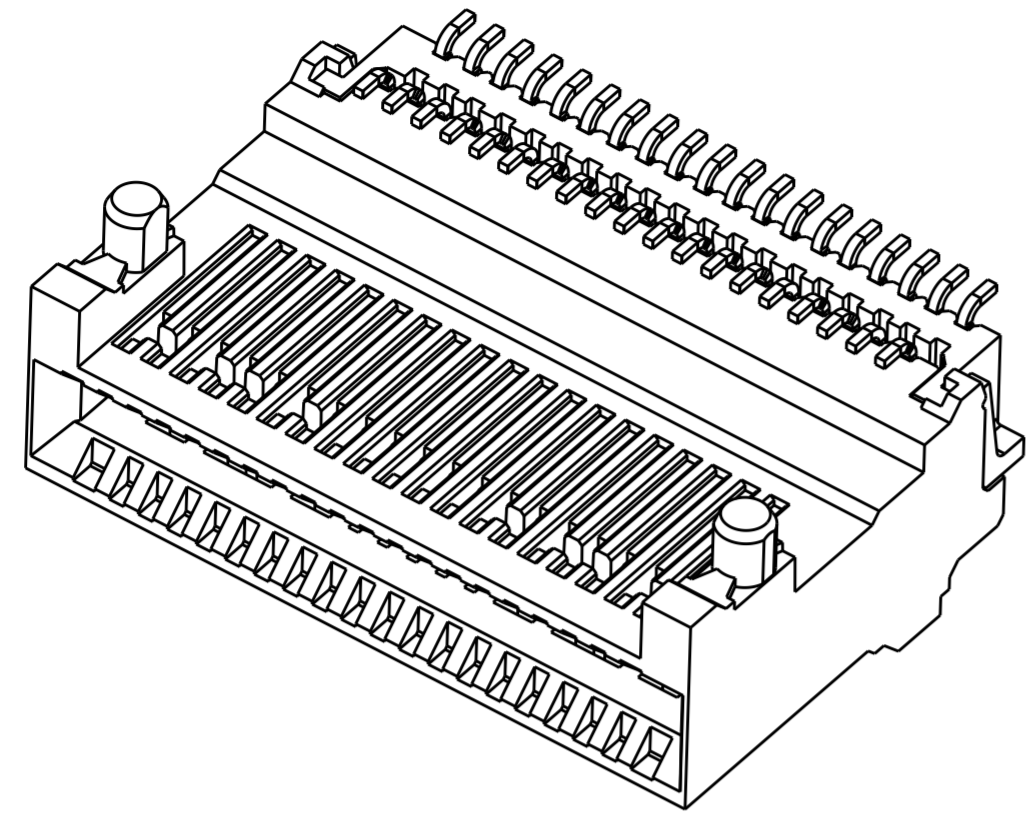
SIZE: A2 CAGE CODE: 00779 DRAWING NO: C-1551920

SCALE: 4:1 SHEET: 1 OF 3 REV: M

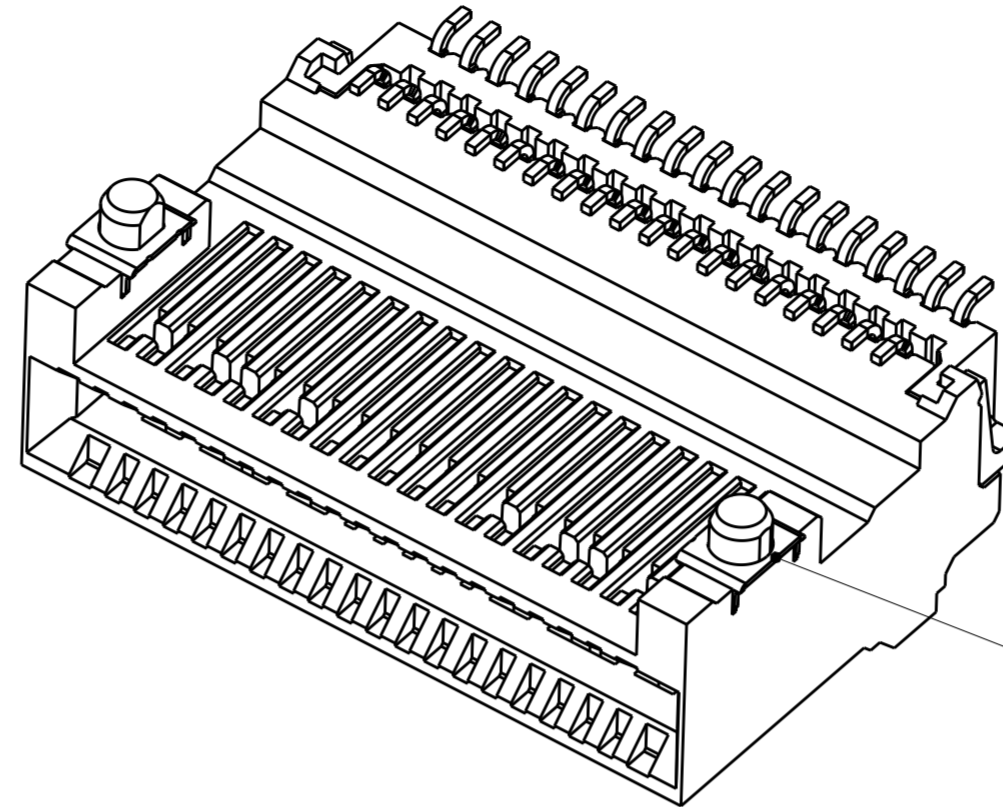
1471-9 (3/13)

THIS DRAWING IS UNPUBLISHED. RELEASED FOR PUBLICATION  
 © COPYRIGHT - BY - ALL RIGHTS RESERVED.

REVISIONS				
P	LTR	DESCRIPTION	DATE	APVD
-	-	SEE SHEET 1	-	-

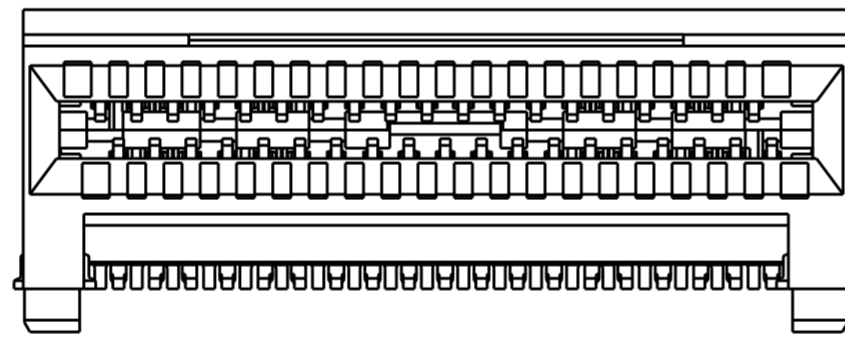


1551920-1, -2, -3, -5, -6, -7 AS SHOWN  
 WITHOUT RETENTION WASHER  
 SCALE 6:1

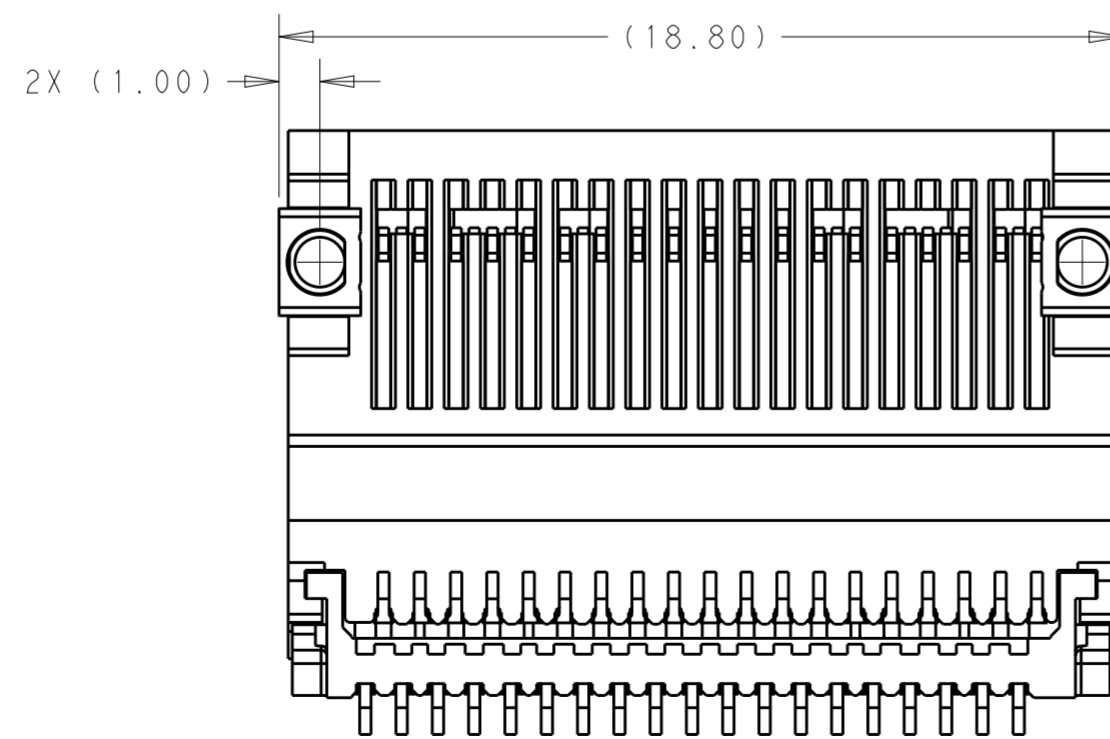
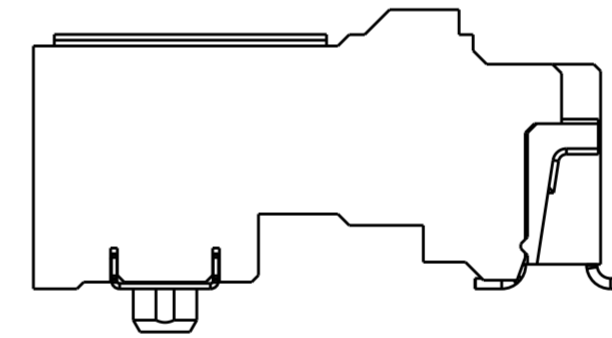



RETENTION WASHER

1551920-4 AS SHOWN  
 WITH RETENTION WASHER  
 SCALE 6:1



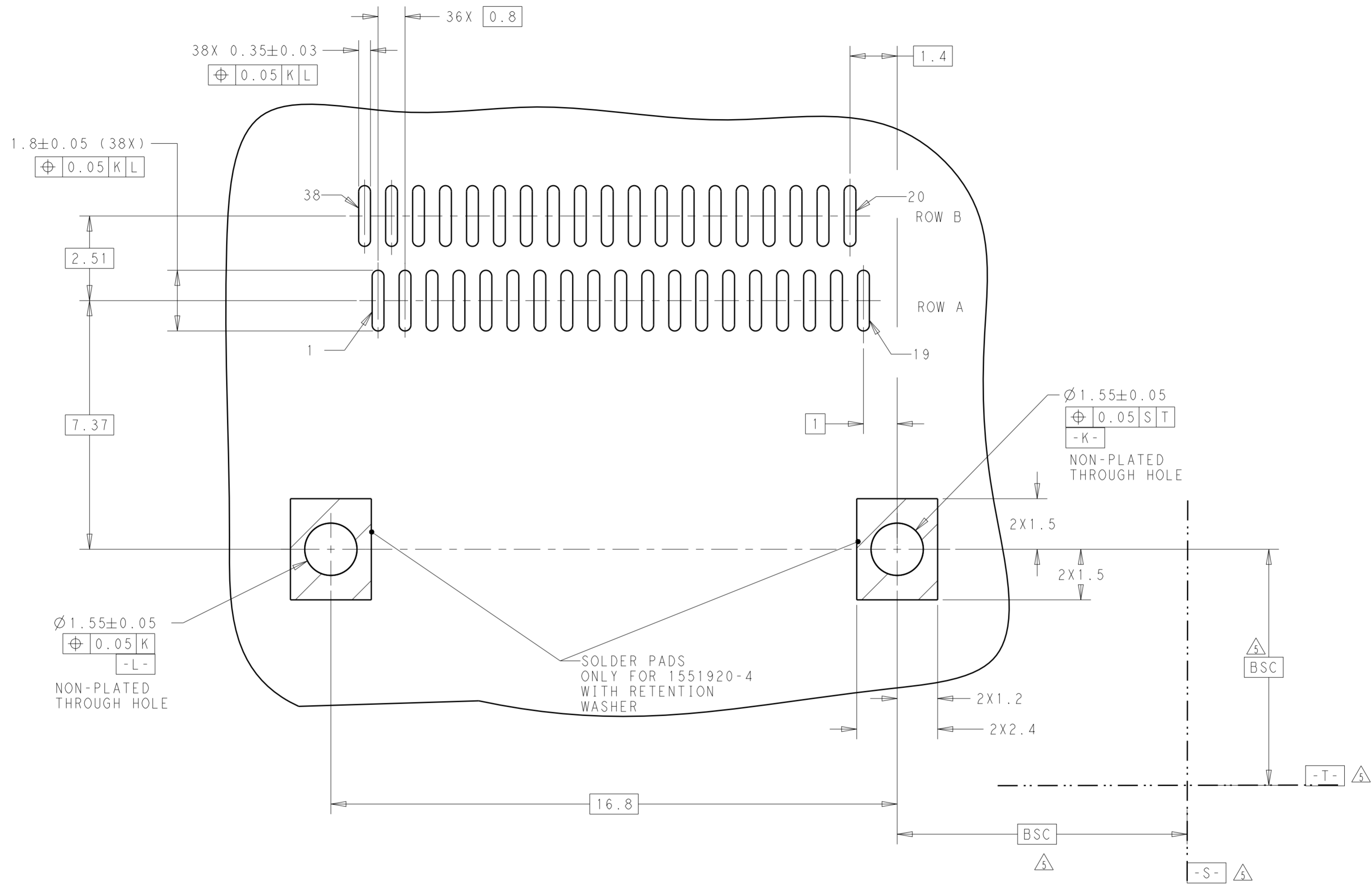
1551920-4 AS SHOWN  
 UNSPECIFIED DIMENSIONS ARE SAME AS 1551920-1  
 SCALE 6:1



THIS DRAWING IS A CONTROLLED DOCUMENT.		DWN E. ZIJLSTRA 17FEB2011	 TE Connectivity	
DIMENSIONS:		CHK B. MOOIJ 17FEB2011		
mm	TOLERANCES UNLESS OTHERWISE SPECIFIED:	APVD I. d. BOER	NAME ZQSFP+ CONNECTOR 38 POSITIONS	
0 PLC	±0.13	PRODUCT SPEC	108-19428	
1 PLC	±0.13	APPLICATION SPEC	114-32022	
2 PLC	±0.13	WEIGHT	-	
3 PLC	±	CUSTOMER DRAWING	SCALE 4:1 SHEET 2 OF 3 REV M	
4 PLC	±			
ANGLES	±			
FINISH	-			
MATERIAL	-			

THIS DRAWING IS UNPUBLISHED. RELEASED FOR PUBLICATION  
 © COPYRIGHT - BY - ALL RIGHTS RESERVED.

REVISIONS				
P	LTR	DESCRIPTION	DATE	APVD
-	-	SEE SHEET 1	-	-



RECOMMENDED PCB-BOARD LAYOUT

THIS DRAWING IS A CONTROLLED DOCUMENT.		DWN E. ZIJLSTRA 17FEB2011	TE Connectivity	
		CHK B. MOOIJ 17FEB2011		
DIMENSIONS: mm		APVD T. d. BOER	NAME ZQSFP+ CONNECTOR 38 POSITIONS	
TOLERANCES UNLESS OTHERWISE SPECIFIED: 0 PLC ±0.13 1 PLC ±0.13 2 PLC ±0.13 3 PLC ± 4 PLC ± ANGLES ± FINISH ±		PRODUCT SPEC 108-19428	RESTRICTED TO	
MATERIAL		APPLICATION SPEC 114-32022	SIZE A200779	DRAWING NO C-1551920
		WEIGHT	SCALE 4:1	SHEET 3 OF 3
		CUSTOMER DRAWING	REV M	