

8

7

6

5

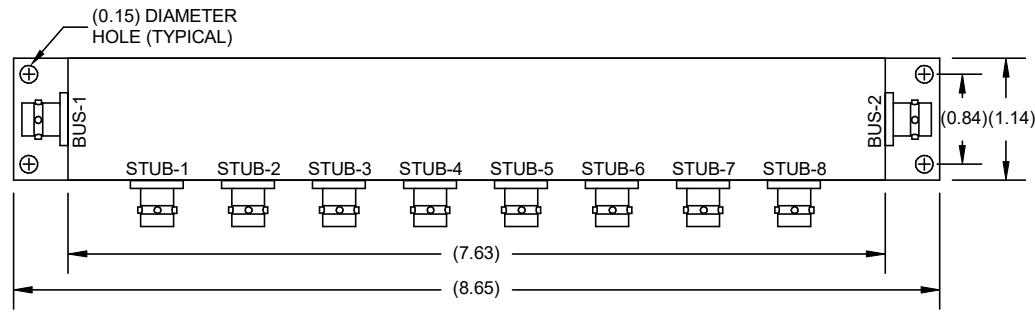
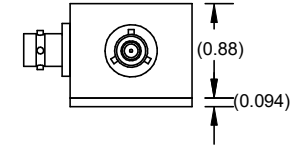
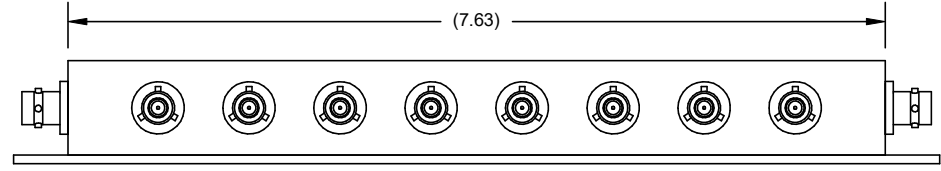
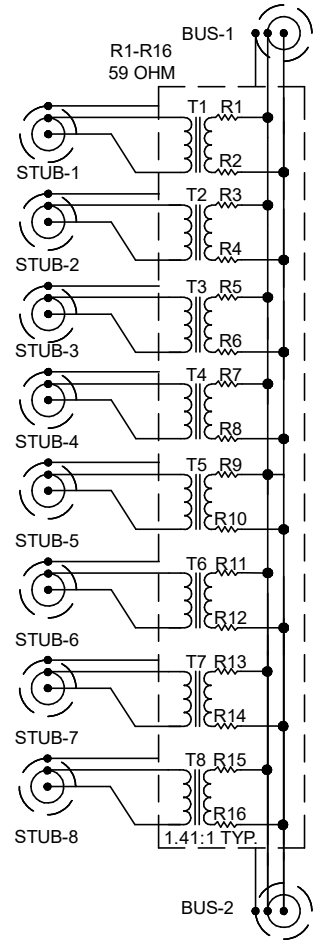
4

3

2

1

REVISION			
REV	DESCRIPTION	DATE	APPROVED
A	OUTLINE DRAWING	11/01/19	



- 1.0 ELECTRICAL SPECIFICATIONS: IAW MIL-STD-1553B**
- 1.1 DROOP 20% MAXIMUM
  - 1.2 OVERSHOOT AND RINGING +/- 1.0V PK-PK
  - 1.3 TRANSFORMER RATIO (T1-T8) 1.41CT:1CT
  - 1.4 FAULT PROTECTION (R1-R16) 59 ohm +/- 1%, 2WATT PER MIL-R-39007
  - 1.5 COMMON MODE REJECTION -55 dB @ 1 MHz

- 2.0 MECHANICAL SPECIFICATIONS:**
- 2.1 HOUSING: DIE CAST A360 ALUMINUM ALLOY  
CLEAR ANODIZED AND PAINTED WITH TEXTURED BAKED ENAMEL, COLOR BLUE
  - 2.2 BASE PLATE: T6061 ALUMINUM, SATIN FINISH
  - 2.3 CONNECTOR BJ770 OR EQUIVALENT
  - 2.4 MATING CONNECTOR TRB PLUG PL75 OR EQUIVALENT

- 3.0 ENVIRONMENTAL:**
- 3.1 OPERATING TEMPERATURE -55 C TO + 125 C

CAD SYSTEM DRAWING - DO NOT REVISE MANUALLY					
UNLESS OTHERWISE SPECIFIED ALL DIMENSIONS ARE IN INCHES DECIMALS--X-- ± N/A DECIMALS--XX-- ± N/A DECIMALS--XXX-- ± N/A ANGLES----- ± N/A NOTE: ALL DIMENSIONS ARE NOMINAL			SIGNATURE	DATE	TITLE <b>8 STUB NON TERMINATED BUS COUPLER ASSEMBLY</b>
			DRAWN BY:	11/01/19	
			CHECKED BY:	11/01/19	
			APPROVED ENGINEERING:		
DASH NEXT ASSY USED ON			APPROVED MANUFACTURING:		SIZE <b>D</b> DRAWING NUMBER: <b>TEBC-1008</b>
APPLICATION			CUSTOMER APPROVAL		
			CAGE CODE: 14949		SCALE: NTS DO NOT SCALE DRAWING SHEET 1 OF 1

8

7

6

5

4

3

2

1