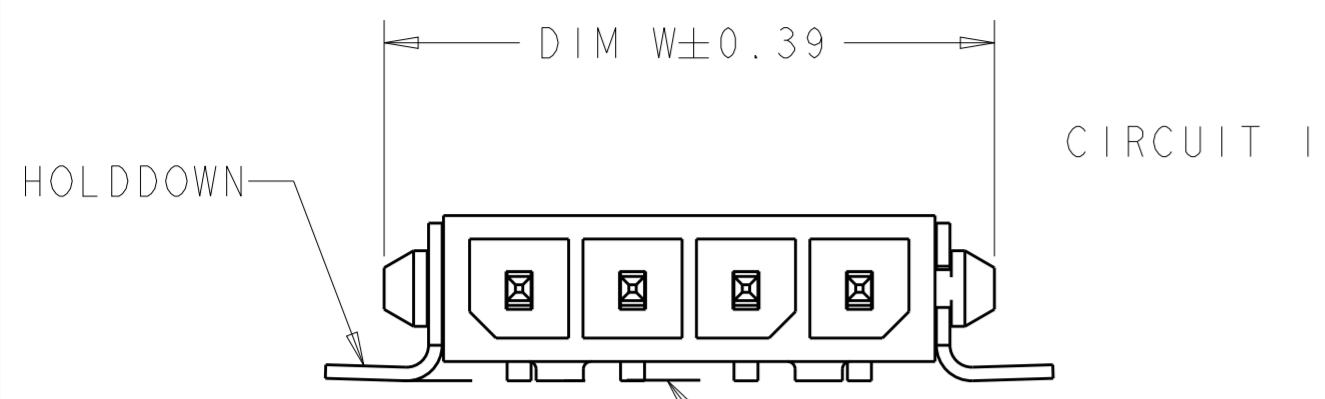
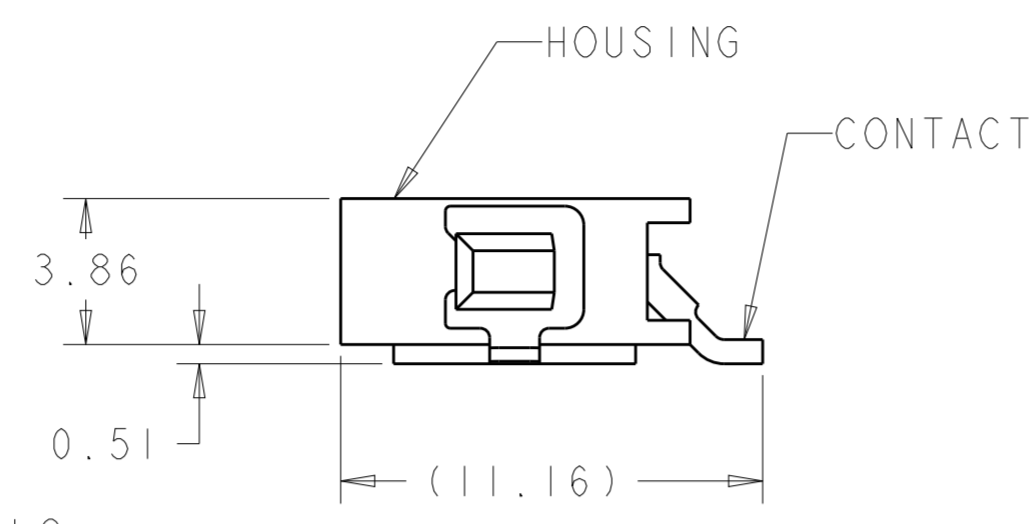


THIS DRAWING IS UNPUBLISHED. RELEASED FOR PUBLICATION 20
 © COPYRIGHT 20 ALL RIGHTS RESERVED.

LOC	DIST	REVISIONS					
CM	00	P	LTR	DESCRIPTION	DATE	DWN	APVD
		A1		REVISED PER ECO-11-005027	07MAY2011	RK	HMR
		A2		REVISED PER ECO-17-007352	10MAY2017	CX	DZ
		A3		REVISED PER ECR-17-012975	05SEP2017	JB	DZ
		A4		ECO-19-006934	10MAY2019	AP	WS

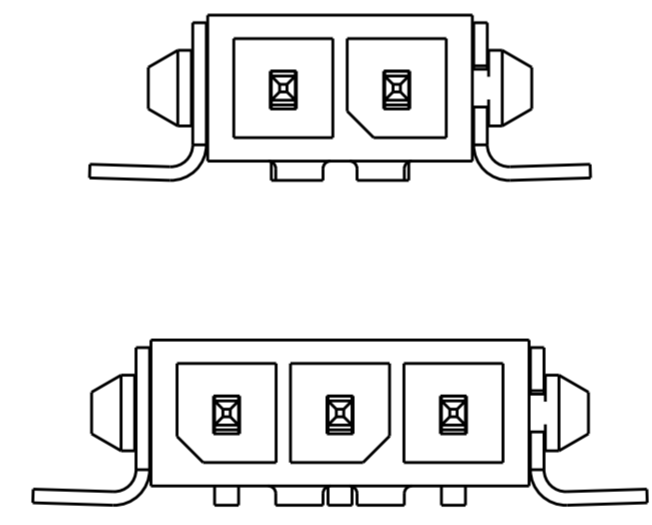
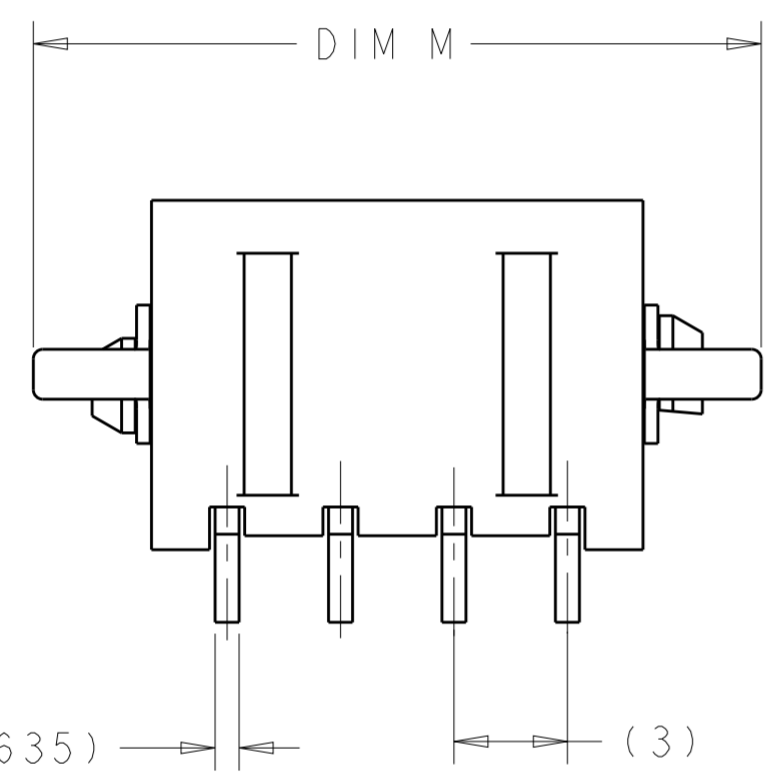


CIRCUIT 1

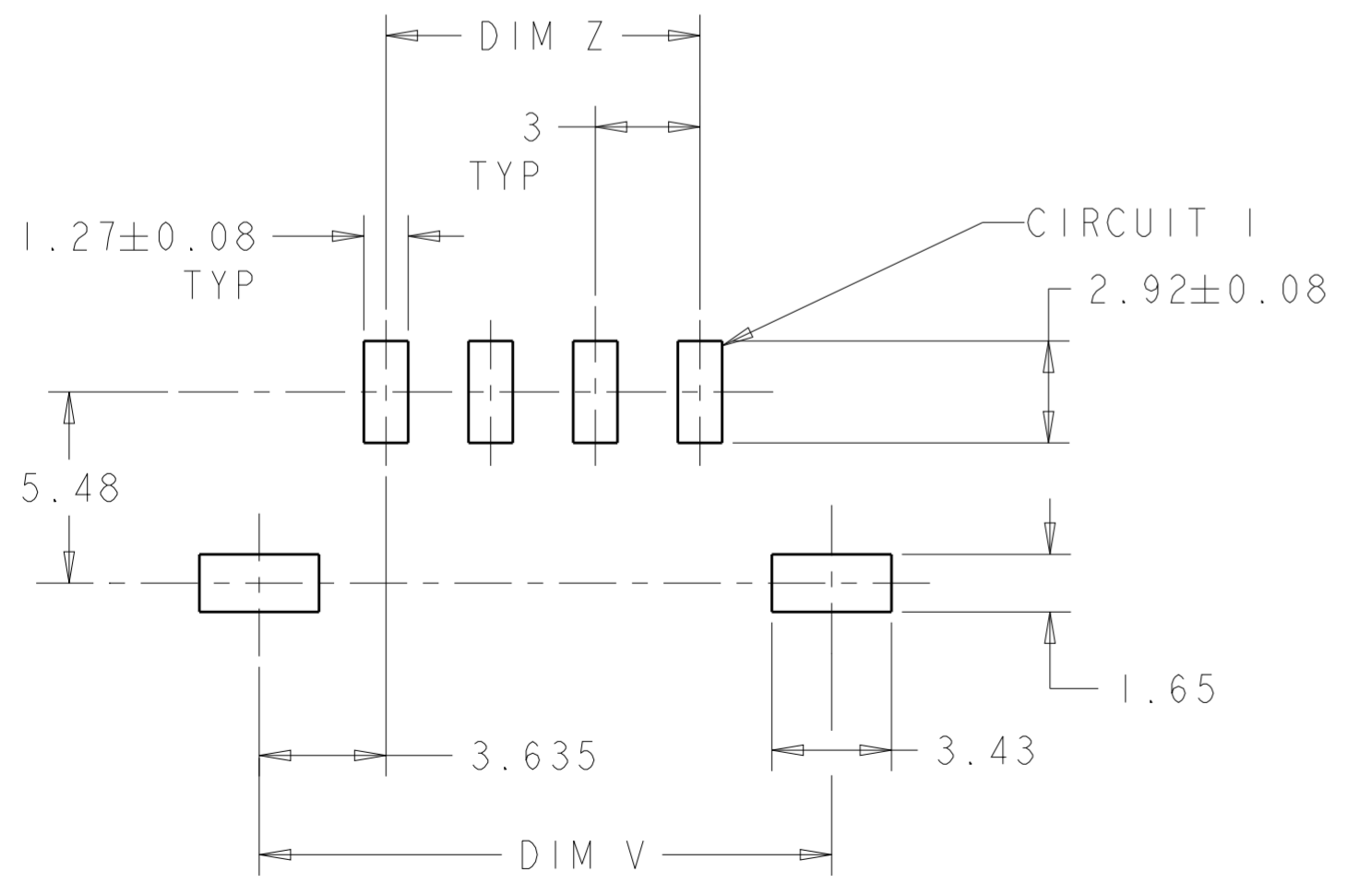


0.15
 INCLUDES CONTACT TAILS, HOUSING STANDOFFS, AND BOARDLOCKS

- 1 MATERIAL: CONTACTS - BRASS
 HOUSING - UL 94V-0 RATED HIGH TEMP NYLON, COLOR BLACK.
 HOLDDOWNS - PHOSPHOR BRONZE.
- 2 PLATING: CONTACTS - 2.54µm MINIMUM TIN OVER 1.27µm MINIMUM NICKEL. LEAD FREE PLATING.
 HOLDDOWNS - 2.54µm MINIMUM TIN OVER 1.27µm MINIMUM NICKEL. LEAD FREE PLATING.
- 3 RECOMMENDED PC BOARD THICKNESS OF 1.57.
- 4 PLATING: CONTACTS - 2.54µm MINIMUM TIN OVER 1.27µm MINIMUM NICKEL. LEAD FREE PLATING.
 0.762µm MINIMUM GOLD ON MATING END.
 HOLDDOWNS - 2.54µm MINIMUM TIN OVER 1.27µm MINIMUM NICKEL. LEAD FREE PLATING.
- 5 PRELIMINARY DRAWING NOT RELEASED FOR PRODUCTION.



KEYING BY POSITION SIZE



PCB LAYOUT COMPONENT SIDE 3

FINISH	DIM M	DIM Z	DIM W	DIM V	NO. OF POSN	PART NUMBER
4	13.25	3	10	10.41	2	2-2029030-2
4	13.25	3	10	10.41	2	1-2029030-2
2	19.25	9	16	16.41	4	2029030-4
2	16.25	6	13	13.41	3	2029030-3
2	13.25	3	10	10.41	2	2029030-2

THIS DRAWING IS A CONTROLLED DOCUMENT.

DWN K. WHITAKER 27NOV2007	 TE Connectivity NAME RT ANG SURF MNT HDR ASSY, SGL LATCH, TIN POSTS, SURF MOUNT HOLDDOWNS, SINGLE ROW, MICRO MATE-N-LOK(TM)				
CHK C. JONES 27NOV2007					
APVD C. JONES 27NOV2007					
PRODUCT SPEC 108-1836					
MATERIAL	APPLICATION SPEC 114-13000	SIZE A2	CAGE CODE 00779	DRAWING NO C-2029030	RESTRICTED TO
CUSTOMER DRAWING		SCALE 5:1	SHEET 1	OF 1	REV A4