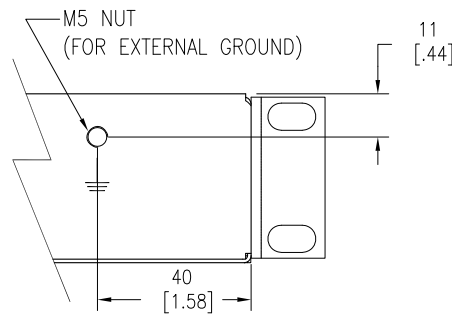
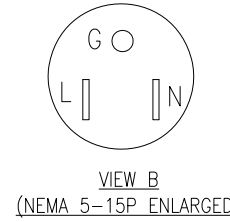


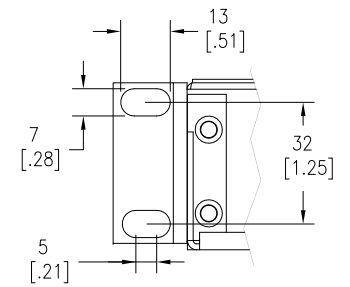
VIEW C
(ENLARGED-DISPLAY INTERFACE)



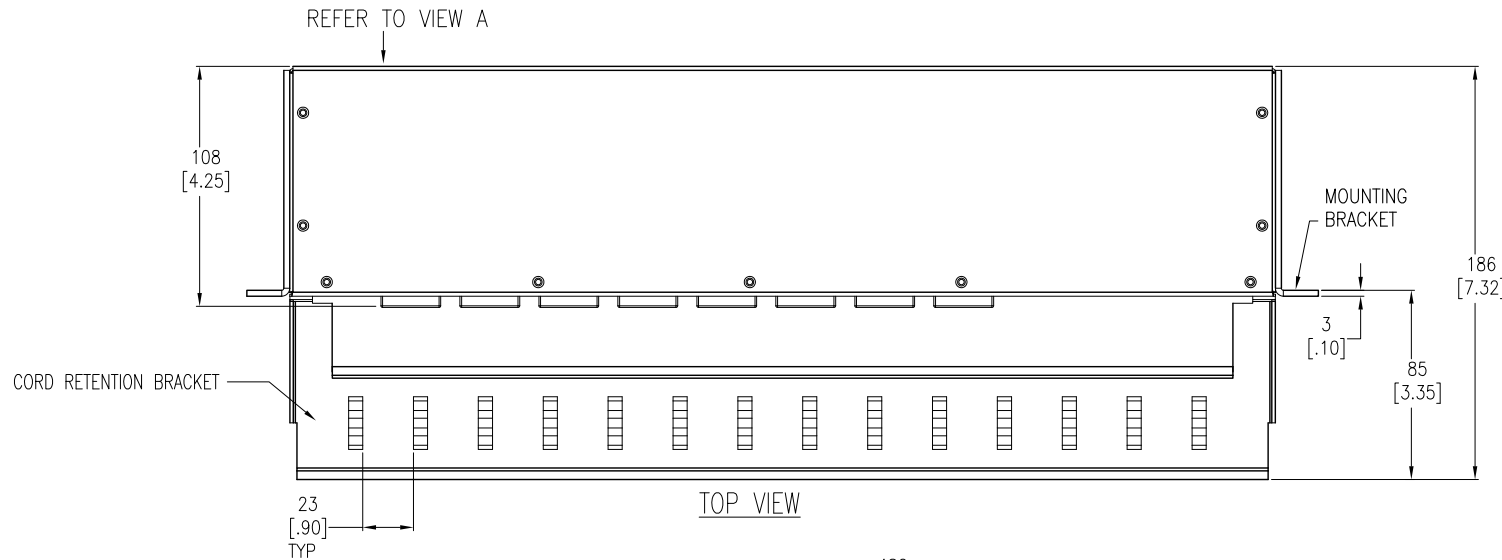
VIEW A
SUPPLEMENTARY GROUND TERMINAL



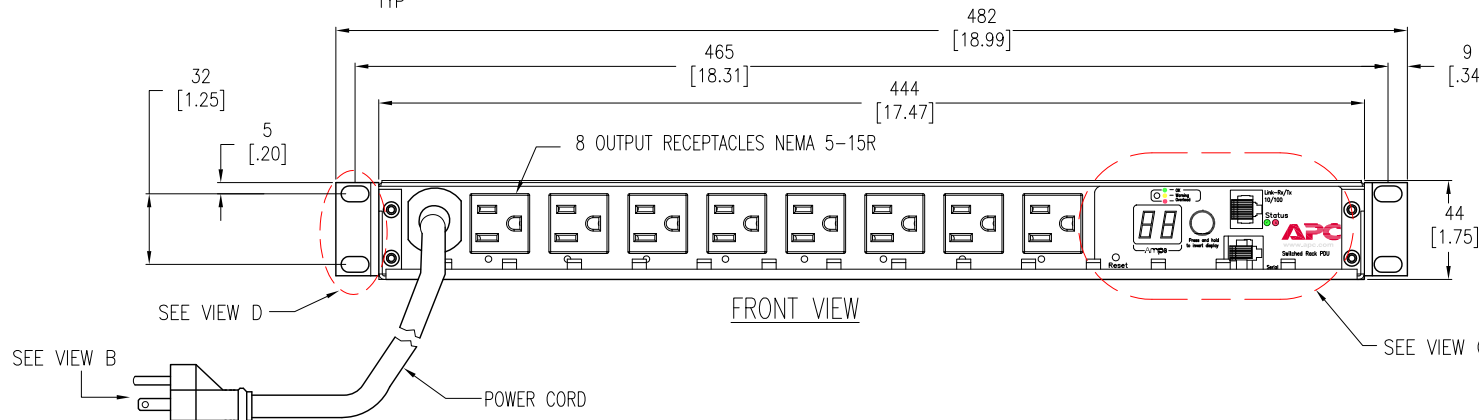
VIEW B
(NEMA 5-15P ENLARGED)



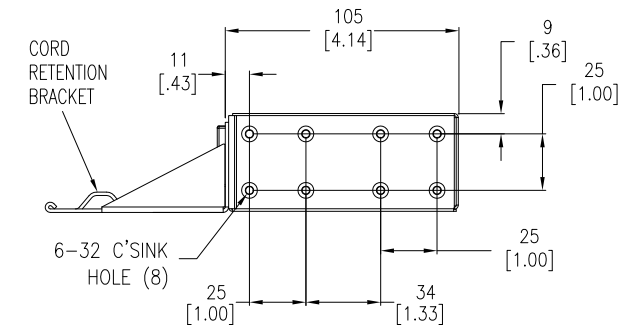
VIEW D
(MOUNTING BRACKET-ENLARGED)



TOP VIEW



FRONT VIEW



SIDE VIEW

- NOTES:
1. INSTALLATION SHALL COMPLY WITH ALL APPLICABLE NATIONAL, STATE AND LOCAL ELECTRICAL REGULATIONS.
 2. REFER TO PRODUCT DOCUMENTATION FOR ADDITIONAL DETAILS PRIOR TO INSTALLATION AND SITE PREPARATION WORK.
 3. UNLESS OTHERWISE SPECIFIED, ALL DIMENSIONS ARE IN MILLIMETERS [INCHES].
 4. NET WEIGHT OF UNIT IS 2.27kg [5.0 lb].
 5. LENGTH OF POWER CORD IS 3660mm [144 inches].

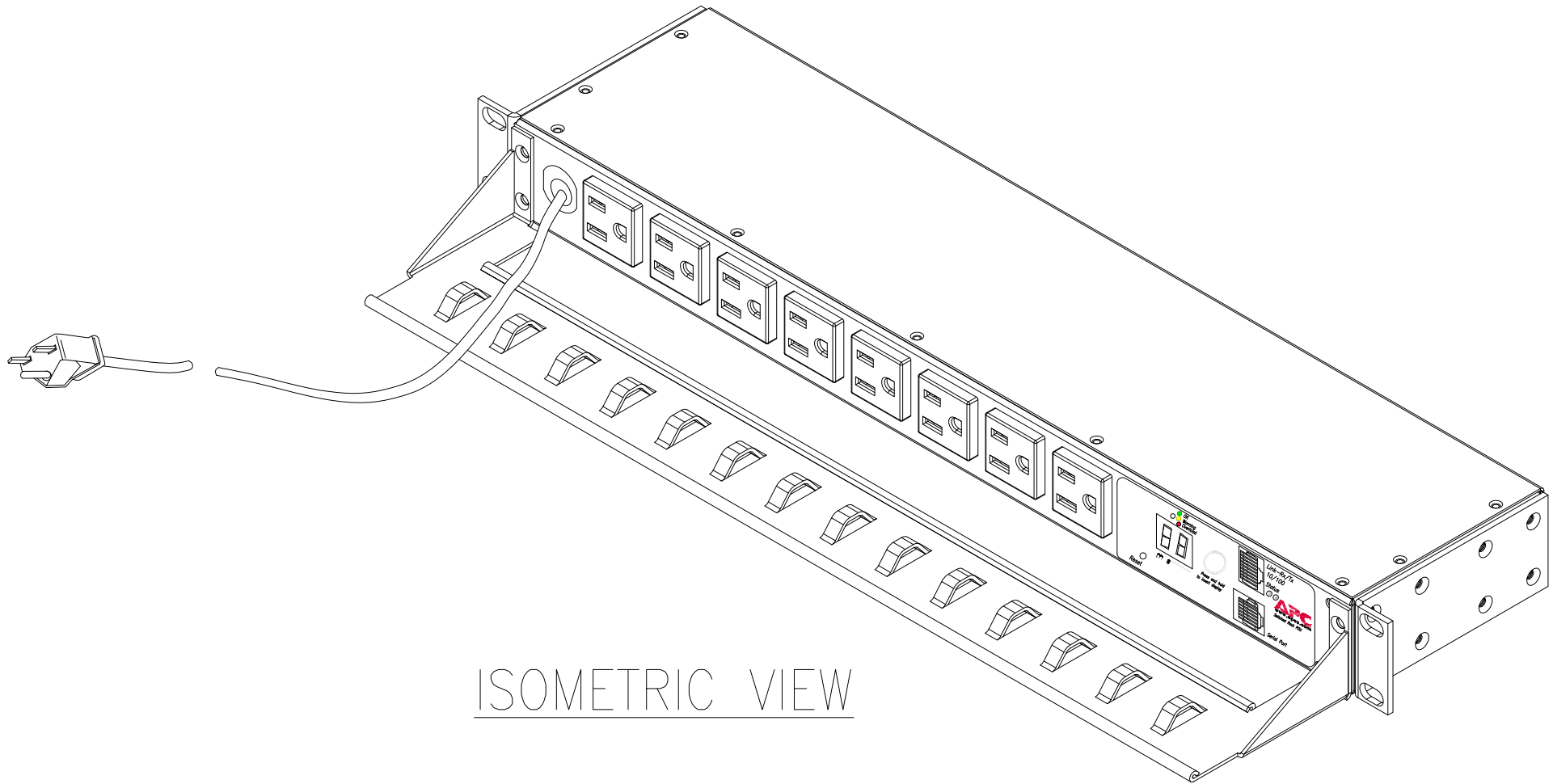
THIS DRAWING AND SPECIFICATIONS HEREIN ARE THE PROPERTY OF SCHNEIDER ELECTRIC AND SHALL NOT BE COPIED, REPRODUCED OR USED IN WHOLE OR IN PART, AS THE BASIS FOR THE MANUFACTURE OR SALE OF ITEMS WITHOUT WRITTEN PERMISSION FROM SCHNEIDER ELECTRIC. THIS DRAWING IS BASED UPON LATEST AVAILABLE INFORMATION AND IS SUBJECT TO CHANGE WITHOUT NOTICE.



TITLE: RACK PDU, SWITCHED, 1U
15A, 100/120V
INPUT: NEMA 5-15P
OUTPUT: (8) NEMA 5-15R
GENERAL ARRANGEMENT

PROJECT: SUBMITTAL DRAWINGS SHEET 1 OF 2

DWG NO:	AP7900B	REV:	0
DRAWN:	JAYAPRAKASH	DATE:	29-AUG-16
ENGINEER:	KATIE RICK	DATE:	25-OCT-16
APPROVED:	KATIE RICK	DATE:	25-OCT-16
			THIRD ANGLE PROJECTION



ISOMETRIC VIEW

- NOTES:
1. INSTALLATION SHALL COMPLY WITH ALL APPLICABLE NATIONAL, STATE AND LOCAL ELECTRICAL REGULATIONS..
 2. REFER TO PRODUCT DOCUMENTATION FOR ADDITIONAL DETAILS PRIOR TO INSTALLATION AND SITE PREPARATION WORK.

THIS DRAWING AND SPECIFICATIONS HEREIN ARE THE PROPERTY OF SCHNEIDER ELECTRIC AND SHALL NOT BE COPIED, REPRODUCED OR USED IN WHOLE OR IN PART, AS THE BASIS FOR THE MANUFACTURE OR SALE OF ITEMS WITHOUT WRITTEN PERMISSION FROM SCHNEIDER ELECTRIC. THIS DRAWING IS BASED UPON LATEST AVAILABLE INFORMATION AND IS SUBJECT TO CHANGE WITHOUT NOTICE.



TITLE: RACK PDU, SWITCHED, 1U
15A, 100/120V
INPUT: NEMA 5-15P
OUTPUT: (8)NEMA 5-15R
ISOMETRIC VIEW

PROJECT: SUBMITTAL DRAWINGS SHEET 2 OF 2

DWG NO:	AP7900B	REV:	0
DRAWN:	JAYAPRAKASH	29-AUG-16	THIRD ANGLE PROJECTION
ENGINEER:	KATIE RICK	25-OCT-16	
APPROVED:	KATIE RICK	25-OCT-16	