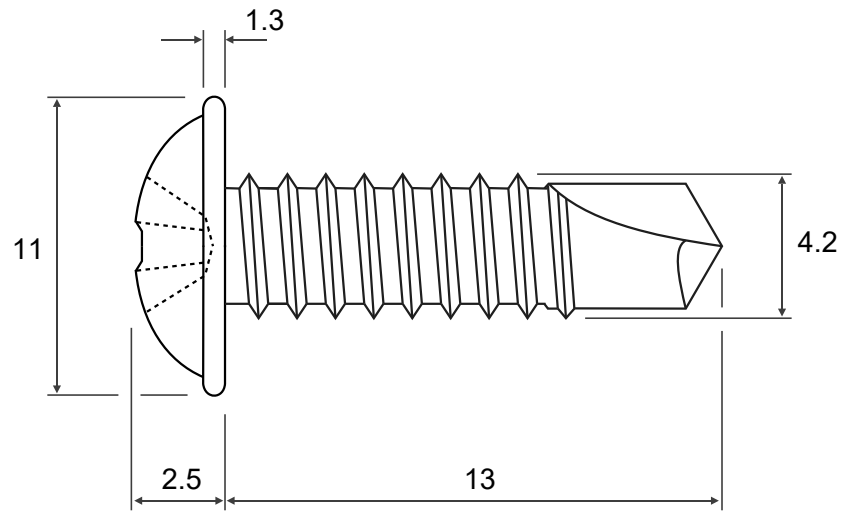
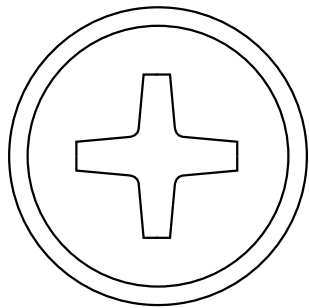


 PH2



|  |          |  |                   |  |
|--|----------|--|-------------------|--|
|  | Material |  | Customer Part No. |  |
|  | Finish   |  | Web Ref No        |  |