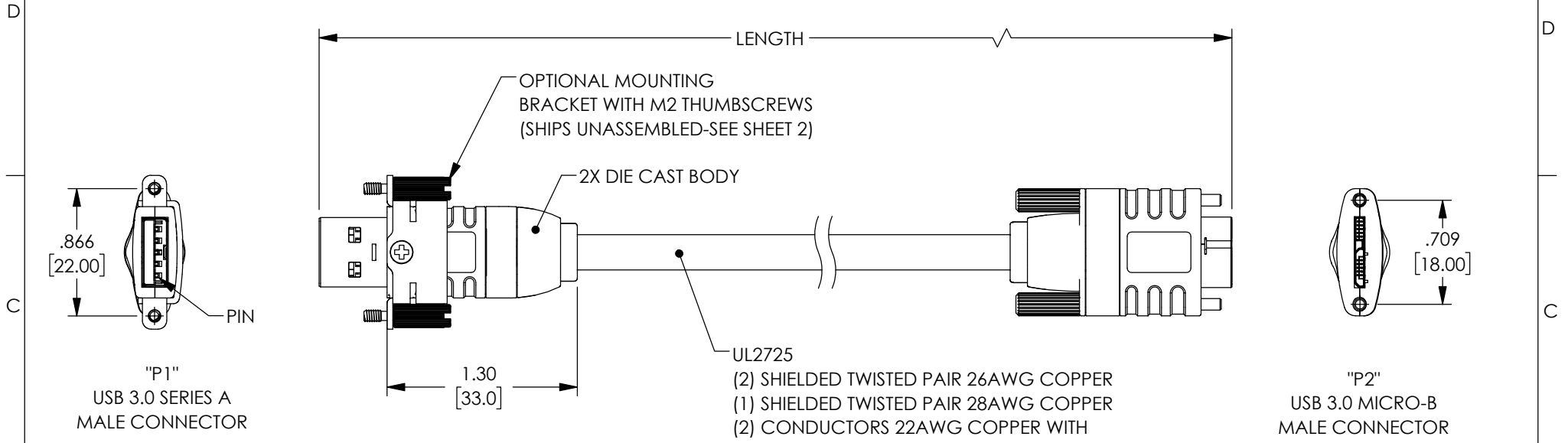


THE INFORMATION CONTAINED IN THIS DRAWING IS THE SOLE PROPERTY OF L-COM, INC. ANY REPRODUCTION IN PART OR WHOLE WITHOUT THE WRITTEN PERMISSION OF L-COM, INC. IS PROHIBITED.

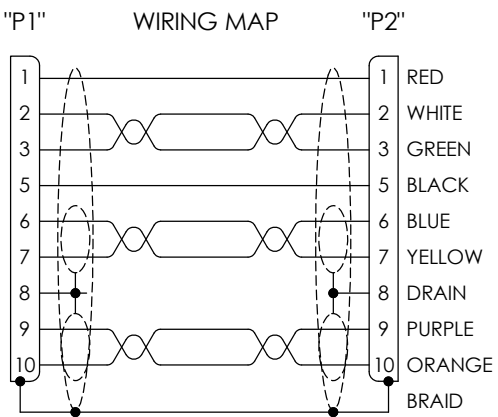
REVISIONS			
REV	DESCRIPTION	DATE	APPROVED
A	INITIAL RELEASE	11/13/2019	GUTTADAURO



"P1"  
USB 3.0 SERIES A  
MALE CONNECTOR


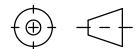
"P2"  
USB 3.0 MICRO-B  
MALE CONNECTOR

UL2725  
(2) SHIELDED TWISTED PAIR 26AWG COPPER  
(1) SHIELDED TWISTED PAIR 28AWG COPPER  
(2) CONDUCTORS 22AWG COPPER WITH  
OVERALL COPPER BRAID SHIELD AND  
COPPER DRAIN WIRE  
JACKET: PVC, BLACK [O.D. 6.2mm NOM.]

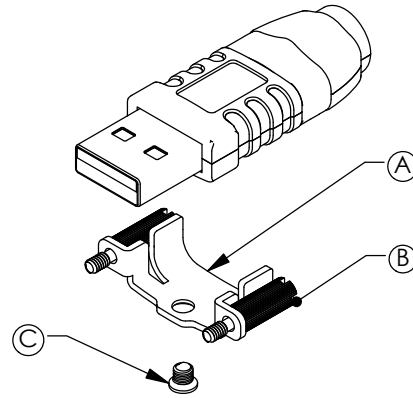


MODEL NUMBER	LENGTH METERS [FEET]
CAU3DCVISAMB-1M	1.0 [3.28]
CAU3DCVISAMB-2M	2.0 [6.56]
CAU3DCVISAMB-3M	3.0 [9.84]

**NOTES:**  
ALL DIMENSIONS ARE FOR REFERENCE ONLY  
CABLE ASSEMBLIES SHALL BE TESTED FOR CONTINUITY  
CABLE ASSEMBLIES SHALL BE INDIVIDUALLY PACKAGED IN POLY BAG.  
CABLE ASSEMBLIES ARE CONSTRUCTED TO MEET USB 3.0 REQUIREMENTS.

UNLESS OTHERWISE SPECIFIED, DIMENSIONS ARE IN INCHES [mm] OVERALL CABLE LENGTH TOLERANCE: ≤12 [305] = +1 [25] / -0 >12 [305] ≤60 [1524] = +2 [51] / -0 >60 [1524] ≤120 [3048] = +4 [102] / -0 >120 [3048] ≤300 [7620] = +6 [152] / -0 >300 [7620] = +5% / -0 ALL OTHER DIMENSIONAL TOLERANCES: .X = ±.2 [5]   FRACTIONS ± 1/32 .XX = ±.02 [5]   ANGLES ± 1° .XXX = ±.005 [13]	APPROVALS	DATE	 50 High Street, West Mill, North Andover, MA 01845 USA. Phone: 1.800.341.5266 1.978.682.6936
	DRAWN BY DFRISIELLO	11/11/2019	
THIRD-ANGLE PROJECTION 	CHECKED BY GUTTADAURO	11/13/2019	PRODUCT DESCRIPTION <b>USB 3.0 A/MicB DieCast w/ Opt Vision</b>
	APPROVED BY GUTTADAURO	11/13/2019	SIZE <b>A</b>
	CONFIGURATION DETAILS OF UNDIMENSIONED FEATURES MAY VARY	COLOR VARIATIONS MAY OCCUR	CAGE CODE <b>43321</b>
			DWG. NO. <b>CAU3DCVISAMB</b>
			REV. <b>A</b>
			SCALE: NONE
			CAD FILE: CAU3DCVISAMB.SLDDRW
			SHEET 1 OF 2


THE INFORMATION CONTAINED IN THIS DRAWING IS THE SOLE PROPERTY OF L-COM, INC. ANY REPRODUCTION IN PART OR WHOLE WITHOUT THE WRITTEN PERMISSION OF L-COM, INC. IS PROHIBITED.



USB 3.0 SERIES A  
ACCESSORIES DETAIL  
(INCLUDED WITH CABLE)

ITEM LETTER	SEPERATE ACCESSORIES	QTY
A	SHEET METAL BRACKET	1
B	M2 THUMBSCREW	2
C	M2.5 x 3.0 FLAT HEAD SCREW	1

NOTE: THUMBSCREWS AND FLAT HEAD SCREW MAY BE PREINSTALLED.

		50 High Street, West Mill, North Andover, MA 01845 USA. Phone: 1.800.341.5266 1.978.682.6936	
CATEGORY			
USB 3.0			
PRODUCT DESCRIPTION			
USB 3.0 A/MicB DieCast w/ Opt Vision			
SIZE	CAGE CODE	DWG. NO.	REV.
<b>A</b>	<b>43321</b>	CAU3DCVISAMB	<b>A</b>
SCALE: NONE	CAD FILE: CAU3DCVISAMB.SLDDRW		SHEET 2 OF 2