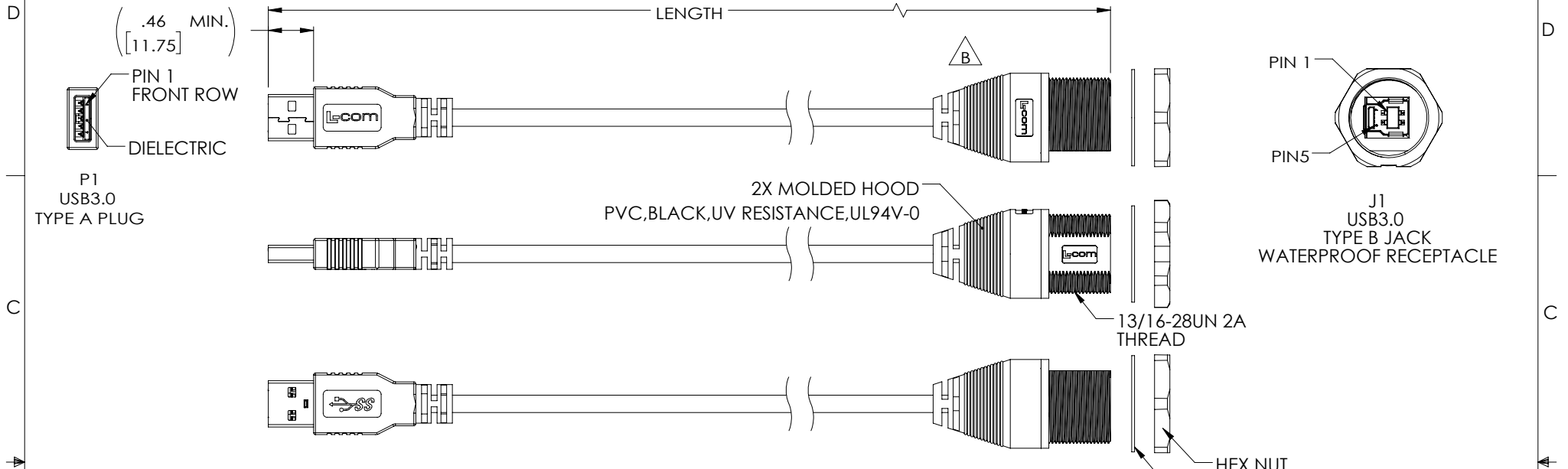


THE INFORMATION CONTAINED IN THIS DRAWING IS THE SOLE PROPERTY OF L-COM, INC.. ANY REPRODUCTION IN PART OR WHOLE WITHOUT THE WRITTEN PERMISSION OF L-COM, INC. IS PROHIBITED.

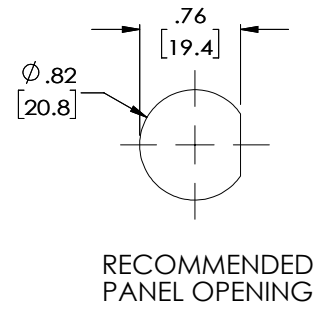
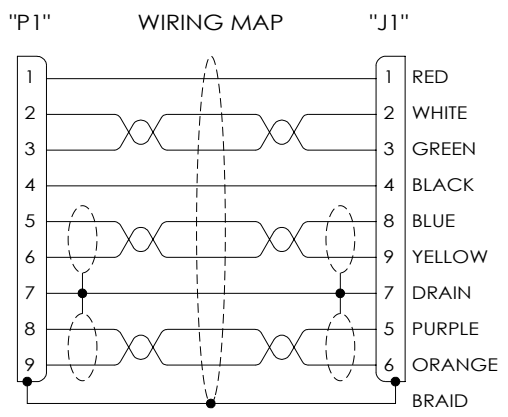
REVISIONS			
REV	DESCRIPTION	DATE	APPROVED
A	CN INITIAL RELEASE	01/28/2019	BGATES
B	ECN 10042 :REMOVED LOGO DESCRIPTION	08/20/19	DGUTSDAURO



PART NUMBER	LENGTH	
	METER	FEET
U3A00019-05M	0.5	1.64
U3A00019-1M	1.0	3.28
U3A00019-105M	1.5	4.92

CABLE:
 TWO TWISTED PAIR, 30AWG WITH ALUM/POLY FOIL SHIELD AND DRAIN WIRE
 ONE UNSHIELDED TWISTED PAIR, 30AWG.
 TWO CONDUCTORS, 24AWG.OVERALL BRAID SHIELD
 JACKET:PVC,BLACK,UV RESISTANCE,NOM. DIAM. .217[5.50]
 OPERATING TEMPERATURE RANGE: -20°C TO +80°C(STATIC)

NOTES:
 1. INGRESS PROTECTION RATING IS IP67 (J1 ONLY ,MATED)
 2. CONNECTOR CONTACTS HAVE 30 μINCHES GOLD PLATING OVER NICKEL PLATING
 3. CABLE ASSEMBLY SHALL BE TESTED FOR CONTINUITY
 4. CABLE ASSEMBLY MUST MEET USB 3.0 REQUIREMENTS
 5. CABLE ASSEMBLY SHALL BE INDIVIDUALLY PACKAGED IN ACCORDANCE WITH L-COM SPECIFICATION PS-0031.



UNLESS OTHERWISE SPECIFIED, DIMENSIONS ARE IN INCHES [mm] OVERALL CABLE LENGTH TOLERANCE: ≤12 [305] = +1 [25] / -0 >12 [305] ≤60 [1524] = +2 [51] / -0 >60 [1524] ≤120 [3048] = +4 [102] / -0 >120 [3048] ≤300 [7620] = +6 [152] / -0 >300 [7620] = +3% / -0%	APPROVALS	DATE		50 HIGH STREET NORTH ANDOVER, MA 01845
	DRAWN BY DCUI	01/25/2019		CATEGORY
ALL OTHER DIMENSIONAL TOLERANCES: .X = ± .2 [5.08] .XX = ± .02 [1.51] .XXX = ±.005 [1.3]	CHECKED BY SPAN	01/25/2019	PRODUCT DESCRIPTION	
PROJECTION	APPROVED BY BGATES	01/25/2019	CA, USB 3.0 A-M TO WATERPROOF B-F	
	CONFIGURATION DETAILS OF UNDIMENSIONED FEATURES MAY VARY		SIZE A	FSCM NO. 43321
	COLOR VARIATIONS MAY OCCUR		DWG. NO. U3A00019	REV. B
			SCALE: NONE	CAD FILE: U3A00019.SLDDRW
			SHEET 1 OF 1	