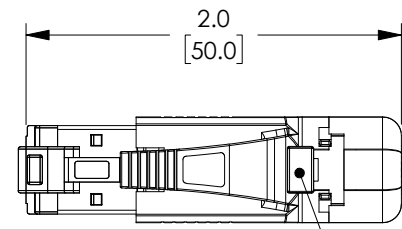
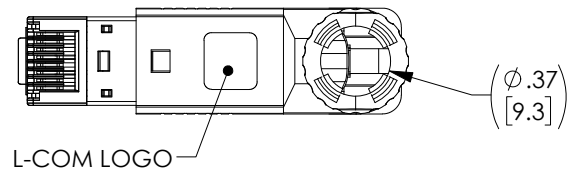
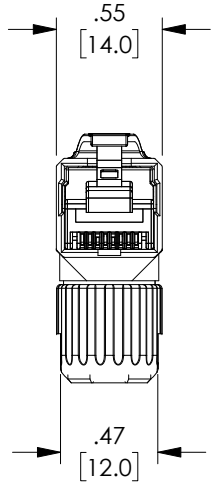
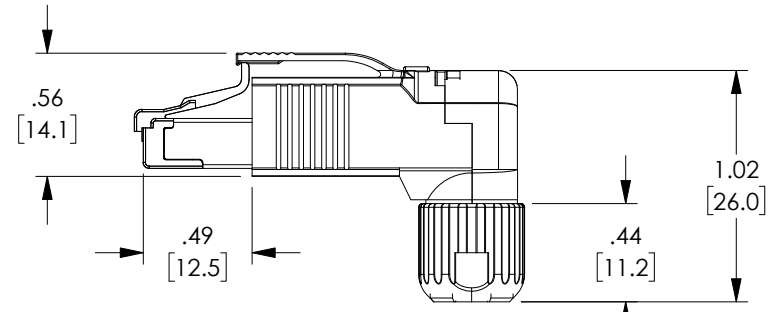


THE INFORMATION CONTAINED IN THIS DRAWING IS THE SOLE PROPERTY OF L-COM, INC. ANY REPRODUCTION IN PART OR WHOLE WITHOUT THE WRITTEN PERMISSION OF L-COM, INC. IS PROHIBITED.

REVISIONS			
REV	DESCRIPTION	DATE	APPROVED
A	INITIAL RELEASE	11/06/2019	DGUTTADAUR



COLOR CODED ICON (RED OR BLUE)



SPECIFICATIONS:

CAT 5e RJ45 PLUG, 2 PAIRS
 QUALIFIED SCREENED CLASS D
 IEC 60603-7-5
 ISO/IEC 11801 2.2 EDITION
 CENELEC EN 50173-1

POWER OVER ETHERNET:

PoE+ TYPE I & II
 IEEE 802.3at
 IEC 60512-99-001 (2012 - 08)
 IEC 60512-9-3 (2011-06)

ELECTRICAL:

CONTACT RESISTANCE: 20 mOhm MAX.
 INSULATION RESISTANCE: 500 MOHM MINIMUM

MECHANICAL


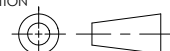
DURABILITY: 1000 MATING CYCLES
 CABLE TO PLUG TENSILE STRENGTH: 20 lbs. (89N) MIN.
 TEMPERATURE: -40° F TO +150° F (-40°C TO +68°C)

MATERIAL/FINISH

IDC-CONTACT: THICKNESS = 0.4 mm PHOSPHOR BRONZE,
 Sn OVER NICKEL PLATING.
 RECOMMENDED CABLE: #23-22AWG SOLID WIRE. OUTER DIAMETER 6.0 - 8.5mm

NOTES:

ANGLE CAN BE SET AT 45° INCREMENTS.
 ALL DIMENSIONS ARE FOR REFERENCE ONLY.
 PLUG ASSEMBLY COMES UN-ASSEMBLED AND SHALL BE INDIVIDUALLY
 PACKAGED IN ACCORDANCE WITH L-COM SPECIFICATION PS-0031.

UNLESS OTHERWISE SPECIFIED, DIMENSIONS ARE IN INCHES [mm] OVERALL CABLE LENGTH TOLERANCE: ≤12 [305] = +1 [25] / -0 >12 [305] ≤60 [1524] = +2 [51] / -0 >60 [1524] ≤120 [3048] = +4 [102] / -0 >120 [3048] ≤300 [7620] = +6 [152] / -0 >300 [7620] = +5% / -0%	APPROVALS	DATE	 50 HIGH STREET NORTH ANDOVER, MA 01845	
	DRAWN BY DFRISIELLO	10/31/2019		
ALL OTHER DIMENSIONAL TOLERANCES: .X = ± .2 [5] .XX = ± .02 [5] .XXX = ± .005 [13]	CHECKED BY DGUTTADAUR	11/06/2019	CATEGORY TELECOM/MODULAR	
	APPROVED BY DGUTTADAUR	11/06/2019	PRODUCT DESCRIPTION RJ45 PLUG PROFINET FIELD TERM SHIELDED 90°	
PROJECTION 	COLOR VARIATIONS MAY OCCUR	SIZE A	CAGE CODE 43321	DWG. NO. TSPFTPFNS-RA
SCALE: NONE			SHEET 1 OF 1	

L-com | (OD) | 2019