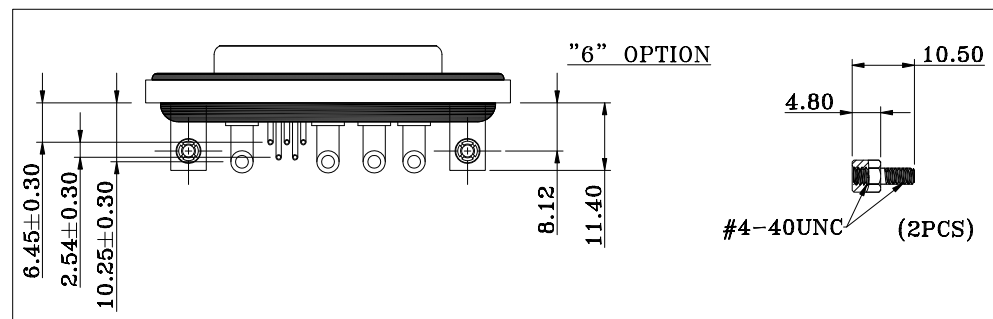
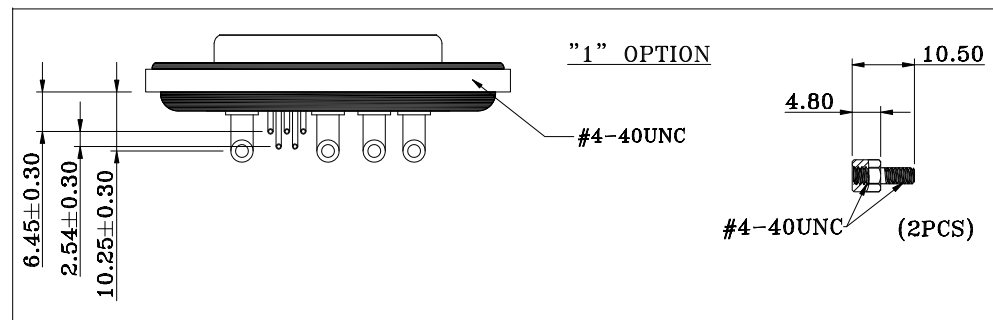


CONTACT Ø AT TERMINATION SIDE
 SIGNAL CONTACTS = Ø0.65
 20 AMP = Ø2.80
 40 AMP = Ø3.75

HARDWARE OPTIONS



NOTE:

MATERIAL	
HOUSING	PBT UL94V-0, BLACK
FLANGE	PBT UL94V-0, BLACK
CONTACT	BRASS, PLATING P/N KEY BELOW
SHELL	STEEL, NICKEL
O-RING	SILICONE
SEALING COMPOUND	EPOXY
HARDWARE	BRASS; NICKEL PLATED

ELECTRICAL	
SIGNAL CONTACT RATED CURRENT	5A
POWER CONTACT RATED CURRENT	P/N KEY BELOW
VOLTAGE	1000 VAC 1 MIN
INSULATOR RESISTANCE	5 Gohms MIN.
SIGNAL CONTACT RESISTANCE	10 mOhms MAX.
POWER CONTACT RESISTANCE	1.0 mOhms MAX.
WATER PROOF	IP67
ENVIRONMENT	
OPERATION TEMPERATURE	-25°C TO +85°C

CDFR9W4213LYYY

SERIES _____
 CDF = COMBO DSUB FLANGE

CONTACT TYPE _____
 R = RIGHT ANGLE PCB MOUNT

POSITION _____
 9W4

GENDER _____
 2 = FEMALE

POWER CONTACT AMPERAGE _____
 2 = 20 AMPS
 4 = 40 AMPS

HARDWARE OPTIONS _____
 1 = 4-40 THREADED INSERTS/4-40 JACKSCREWS
 6 = 4-40 THREADED BRACKETS & BOARD LOCKS/4-40 JACKSCREWS

CONTACT PLATING OPTIONS _____
 1 = GOLD FLASH
 2 = 30u" GOLD PLATING

RoHS COMPLIANT

	THESE DRAWINGS AND SPECIFICATIONS ARE THE PROPERTY OF NorComp AND SHALL NOT BE REPRODUCED, COPIED OR USED AS THE BASIS FOR THE MANUFACTURE OR SALE OF APPARATUS WITHOUT WRITTEN PERMISSION.	DRAWN: J. KADEL
		DATE: 04/22/2020

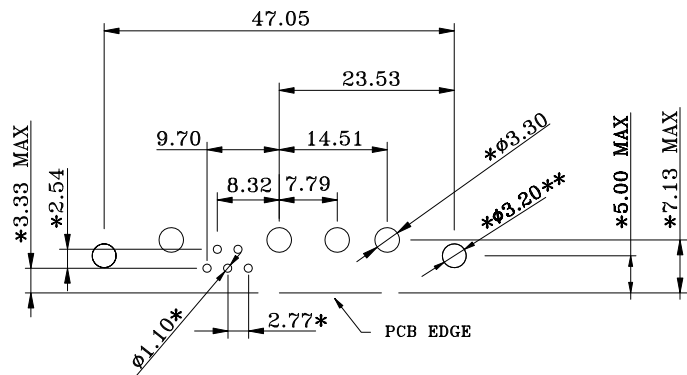
TOLERANCES
 X. ±0.40
 .X ±0.30
 .XX ±0.20
 .XXX ±0.10

UNITS = mm DO NOT SCALE FROM DRAWING

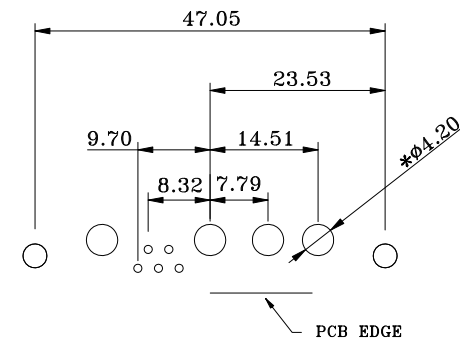
	SCALE: NTS	SHEET 1 OF 2	REV 0
	DWG NO. CDFR9W4213LYYY		

**** ϕ 3.20MM HOLES NOT NEEDED FOR "1" HARDWARE OPTION**

20 AMP CONFIGURATION



40 AMP CONFIGURATION



RECOMMENDED PCB LAYOUT

***TYPICAL // HOLE SIZE MAY NOT BE SUITABLE FOR YOUR SPECIFIC APPLICATION**

RoHS COMPLIANT



THESE DRAWINGS AND SPECIFICATIONS ARE THE PROPERTY OF NorComp AND SHALL NOT BE REPRODUCED, COPIED OR USED AS THE BASIS FOR THE MANUFACTURE OR SALE OF APPARATUS WITHOUT WRITTEN PERMISSION.

DRAWN:

J. KADEL

DATE:

04/22/2020

TOLERANCES

X. \pm 0.40
 .X \pm 0.30
 .XX \pm 0.20
 .XXX \pm 0.10

UNITS = mm

DO NOT SCALE FROM DRAWING

NorComp

SCALE:
NTS

SHEET OF
2 2

REV
0

DWG NO.

CDFR9W4213LYYY