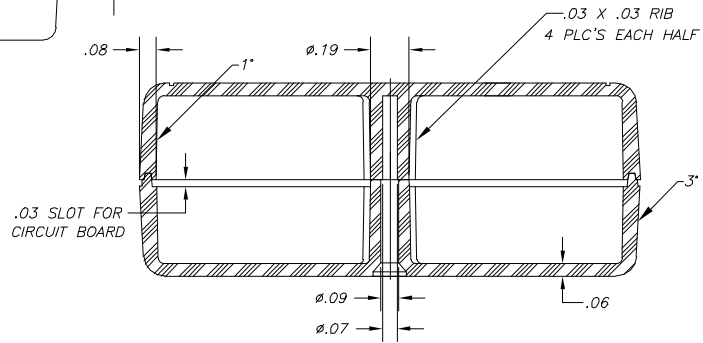
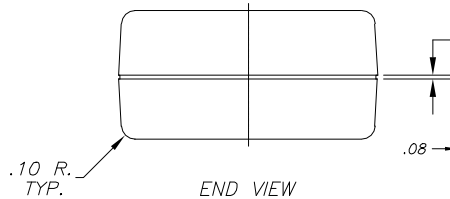
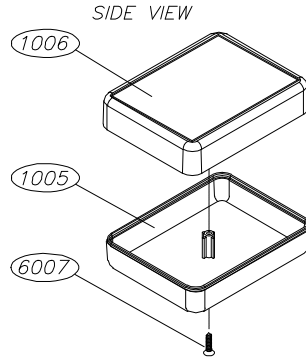
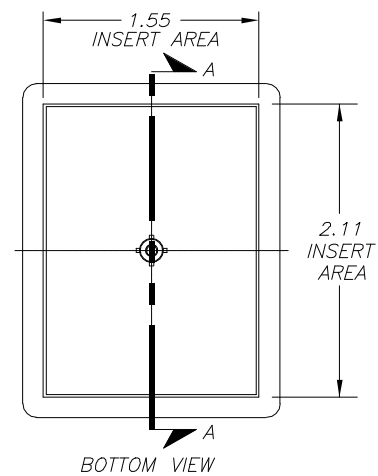
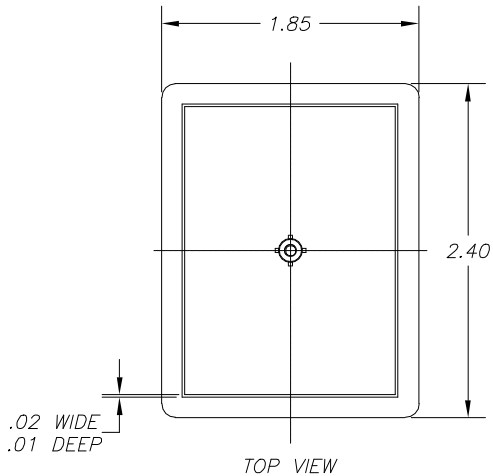
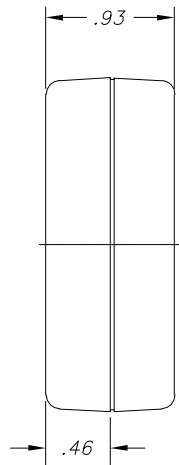


NOTES:
 1. WHEN MACHINE OR I PLATES MODIFICATIONS ARE REQUIRED,
 USE THE CENTER OF THE BOX TO DIMENSION.



10-13-98

ALL DIMENSIONS ± .010

PART NO.	DESCRIPTION	ACCESSORIES	
1006	PLASTIC TOP	PART NO.	DESCRIPTION
1005	PLASTIC BOTTOM	55	KEY HOLDER
6007	SCREW	1030	POCKET CLIP