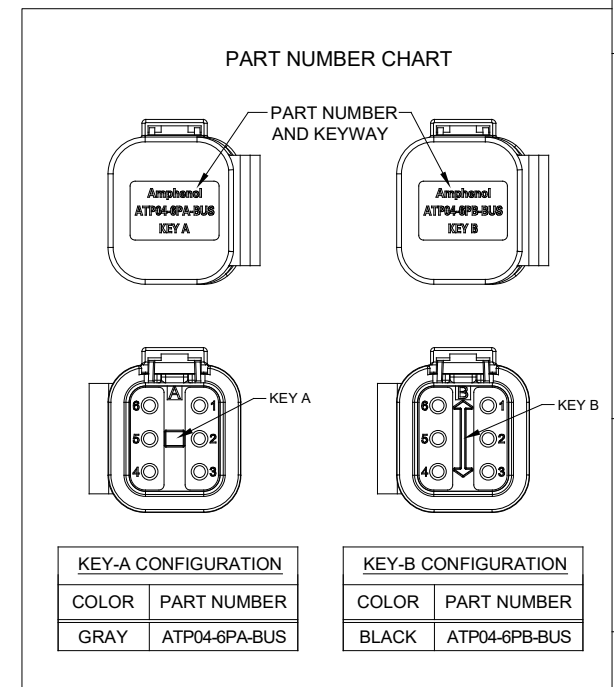
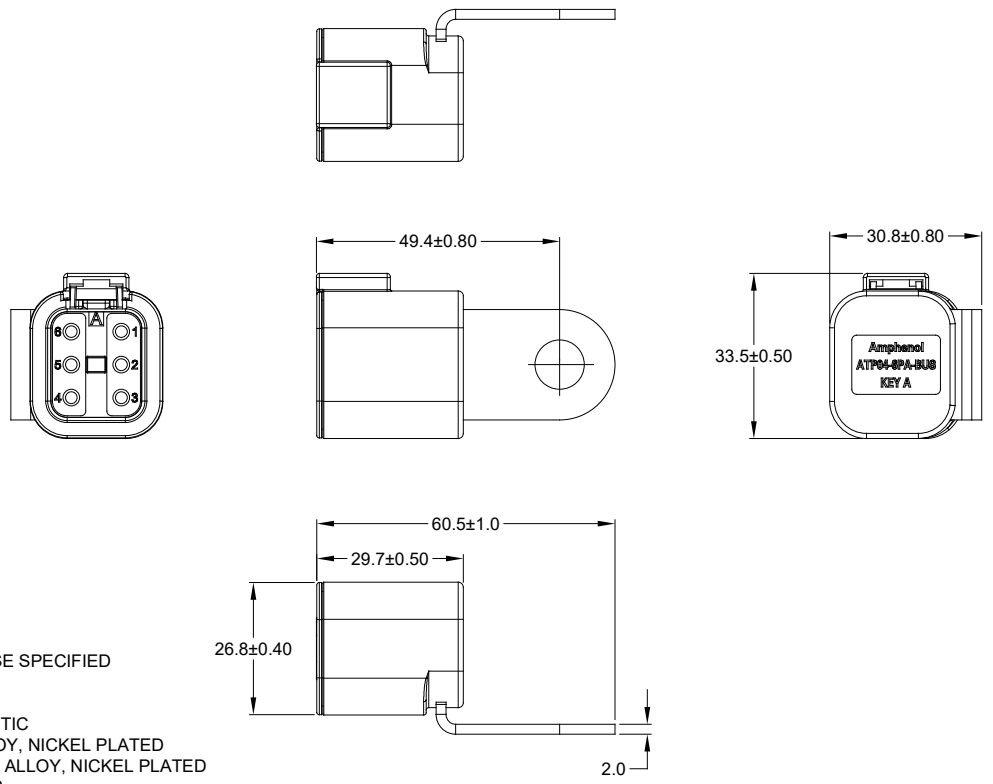
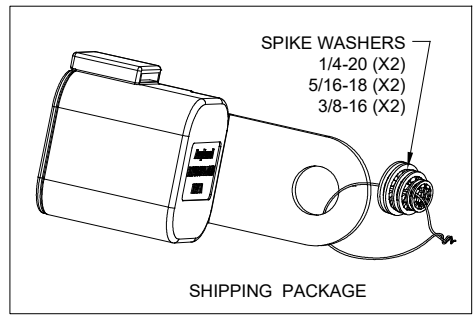


REVISIONS					
REV	ECO	DESCRIPTION	DATE	BY	APPR
A1	-	RELEASE NEW DRAWING	02/JAN/20	PETER	TOMMY



NOTES: UNLESS OTHERWISE SPECIFIED

1. MATERIAL:
  - HOUSING: THERMOPLASTIC
  - CONTACT: COPPER ALLOY, NICKEL PLATED
  - METAL INSERT: COPPER ALLOY, NICKEL PLATED
  - SEAL: SILICONE RUBBER
  - SPIKE WASHERS: STAINLESS STEEL
2. MODIFICATIONS: GROUNDING BUSS
3. SPECIFICATIONS:
  - 3.1 CURRENT RATING: 150 AMPS
  - 3.2 OPERATING TEMPERATURE: -55°C TO +125°C
  - 3.3 INSULATION RESISTANCE: 1000 MEGOHMS MIN @ 25°C
  - 3.4 MOISTURE RESISTANCE: IP67 ( MATED CONDITION )
  - 3.5 MATING CYCLE DURABILITY: 100 CYCLES
  - 3.6 RoHS COMPLIANT
4. MATING PART: ATP06-6SX\* PLUG  
( X = A,B KEYS ; \* = MODIFICATIONS AND COLORS )
5. ALL DIMENSIONS ARE FOR REFERENCE USE ONLY



SEE PART NUMBER CHART		PART NUMBER		DESCRIPTION		ITEM
QUANTITY		<b>MATERIALS LIST</b>				
UNLESS OTHERWISE SPECIFIED: 1) All dimensions are in metric (mm). 2) Tolerances are as follows: 1 PL DEC ±0.30 2 PL DEC ±0.15 3 PL DEC ±0.08 3) Note reference =		SIGNATURES DRAWN: PETER YANG CHECKED: ORION LI ENGINEER: APPROVAL: TOMMY XIE		DATE 02/JAN/20 03/JAN/20 04/JAN/20		<h1 style="margin: 0;">Amphenol</h1> <p style="font-size: small; margin: 0;">Sine Systems - www.amphenol-sine.com 44724 Morley Drive Clinton Township, MI 48036</p>
MATERIAL SPECIFICATIONS:  PROCESS SPECIFICATIONS:  NEXT ASSY:		FRACTIONS ±1/64 ANGLES ±1°		THIS DRAWING IS SUPPLIED FOR INFORMATION ONLY. DESIGN FEATURES, SPECIFICATIONS AND PERFORMANCE DATA SHOWN HEREON ARE THE PROPERTY OF THE AMPHENOL CORPORATION. NO RIGHTS OF REPRODUCTION ARE IMPLIED. ALL DIMENSIONS ARE SUBJECT TO NORMAL MANUFACTURING VARIATIONS.		
SCALE: NONE		SIZE: <b>B C-</b>		DWG NO: <b>ATP04-6PX-BUS</b>		REVISION: <b>A1</b>
SHEET 1 OF 1						

TITLE: RECEPTACLE, 6 PIN, BUSS, ATP SERIES  
 DWG NO: ATP04-6PX-BUS  
 REV: A1  
 SH: 1  
 OF: 1