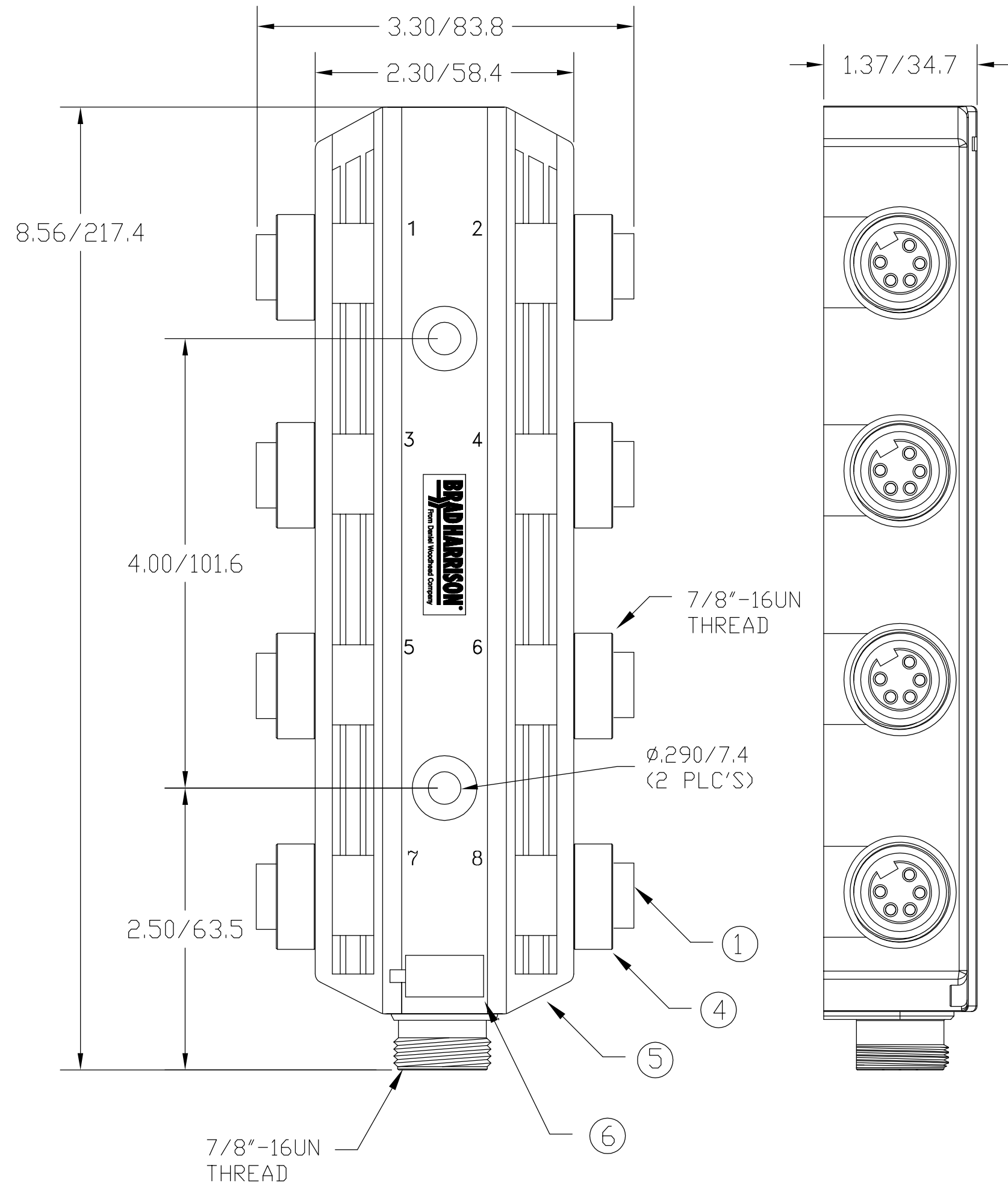
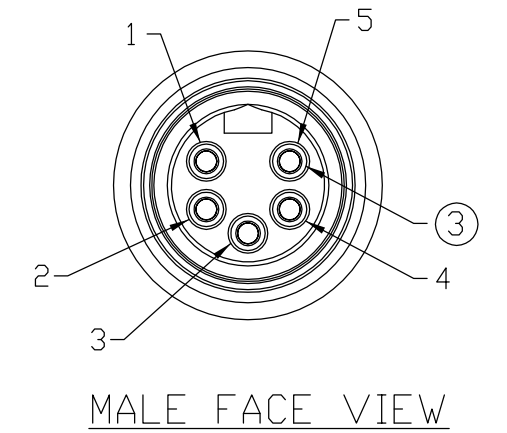
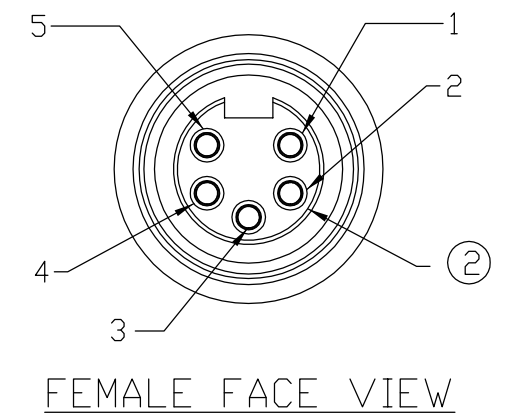
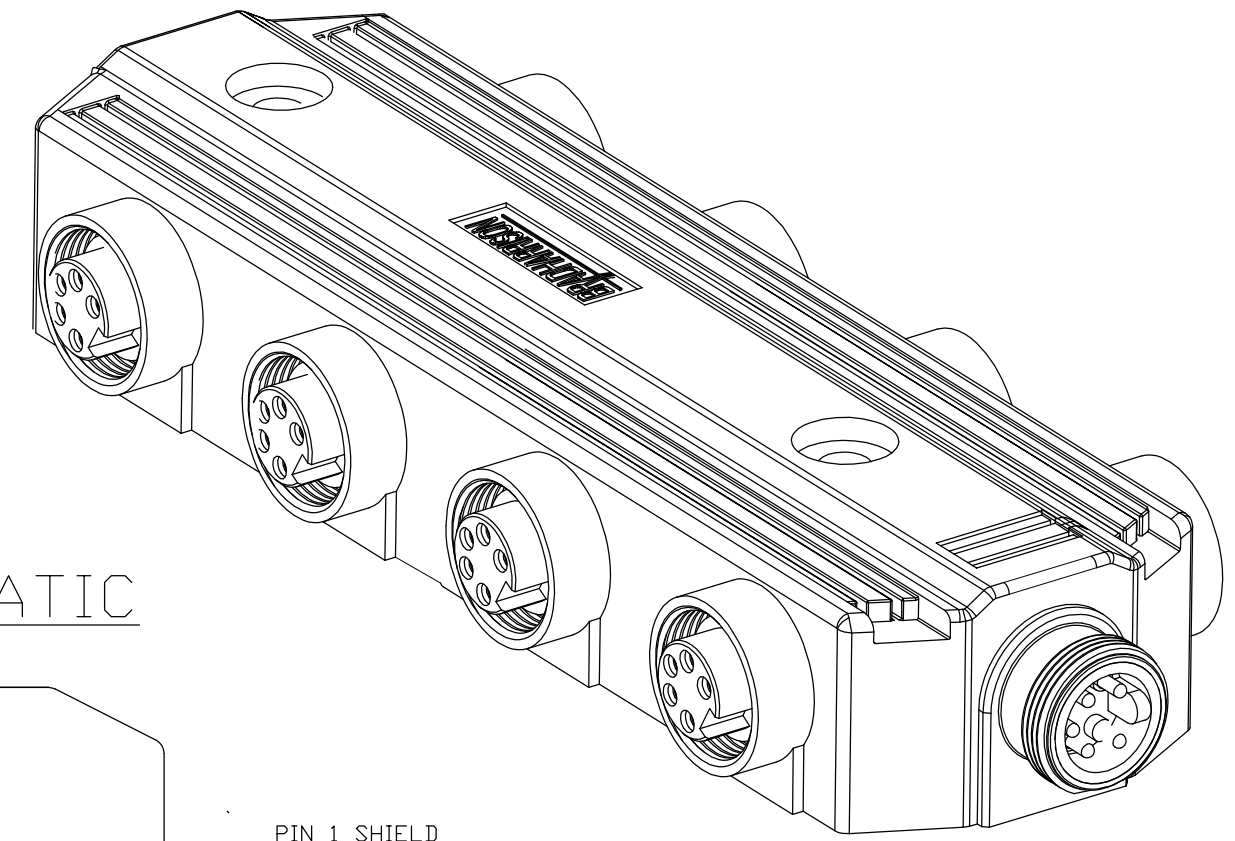
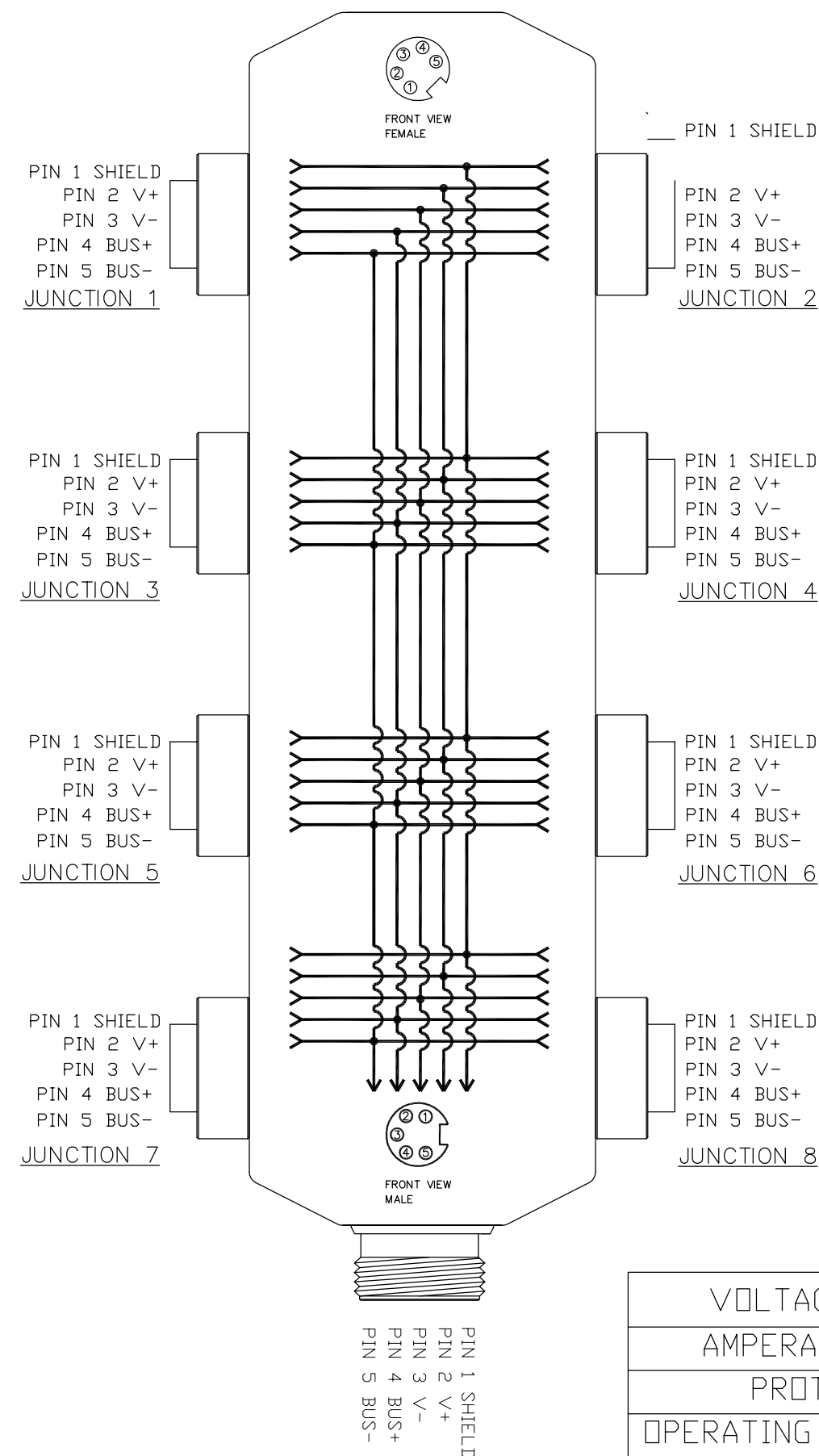


MATERIAL NUMBER	OLD PART NUMBER
130036-0010	DN8000



**SCHEMATIC**



VOLTAGE RATING	120 VAC/VDC
AMPERAGE RATING	7 AMPS
PROTECTION	IP67
OPERATING TEMPERATURE	0°C TO 60°C

ITEM	COMPONENT	MATERIAL	FINISH
1	INSERT	PVC	GRAY
2	CONTACT SOCKET	COPPER ALLOY	GOLD OVER NICKEL
3	CONTACT PIN	COPPER ALLOY	GOLD OVER NICKEL
4	RECEPTACLE SHELL	ZINC DIE CAST	BLACK E-COATED
5	HOUSING	PBT	BLACK
6	LABEL	ABS	WHITE
	POTTING MATERIAL	EPOXY	BLACK

RELEASED SALES DRAWING  
 EC NO: WNA2010-0020  
 DRWN: BWOODMAN 7/7/09  
 CH'KD: JM  
 APPR: JFMURPHY 2009/07/20

QUALITY SYMBOL  
 =0  
 =0

GENERAL TOLERANCES (UNLESS SPECIFIED)

	mm	INCH
4 PLACES	±----	±----
3 PLACES	±----	±----
2 PLACES	±----	±.01
1 PLACE	±0.3	±----

ANGULAR ±----°  
 DRAFT WHERE APPLICABLE MUST REMAIN WITHIN DIMENSIONS

DIMENSION STYLE IN/MM  
 DRAWN BY DATE  
 BW 2009/07/06  
 CHECKED BY DATE  
 TW 2009/07/06  
 APPROVED BY DATE  
 MATERIAL NO. SEE CHART  
 SIZE C

SCALE ---  
 DESIGN UNITS ---  
 THIRD ANGLE PROJECTION  
 TITLE  
**MINI 8 PORT DROP MPIS DEVICENET**  
 MOLEX INCORPORATED  
 DOCUMENT NO. SD-130036-003  
 SHEET NO. 1 OF 1  
 THIS DRAWING CONTAINS INFORMATION THAT IS PROPRIETARY TO MOLEX INCORPORATED AND SHOULD NOT BE USED WITHOUT WRITTEN PERMISSION