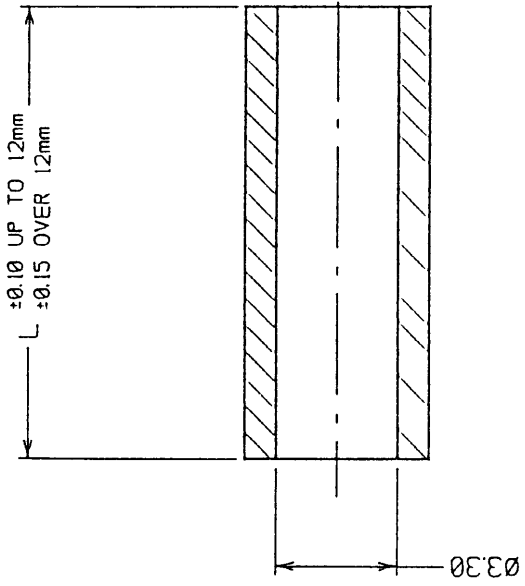
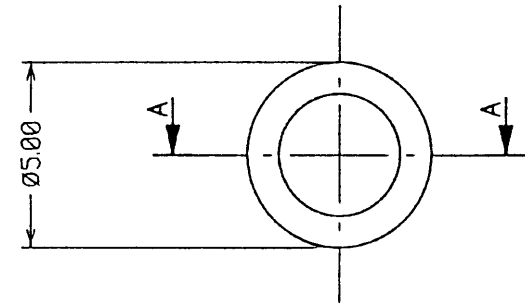


ORDER CODE:
R30-670XX94
LENGTH IN mm



FOR INFORMATION ONLY

0 4 MAR 1996

SECTION A-A

NOTES:
1. REMOVE ALL BURRS.

PART No.	L	PART No.	L
R30-6700394	3.00	R30-6701694	16.00
R30-6700494	4.00	R30-6701894	18.00
R30-6700594	5.00	R30-6702094	20.00
R30-6700694	6.00		
R30-6700794	7.00		
R30-6700894	8.00		
R30-6700994	9.00		
R30-6701094	10.00		
R30-6701194	11.00		
R30-6701294	12.00		
R30-6701394	13.00		
R30-6701494	14.00		
R30-6701594	15.00		

2 22.01.96 3169
1 14.12.95 ----

ISS. DATE C/N
APPROVED: [Signature]
CHECKED: [Signature]
DRAWN: W. BOURNE
CUSTOMER REF.
ASSEMBLY DRG:

<p>HARWIN</p>		<p>TOLERANCES X. - ± 1mm X.X - ± 0.25mm X.XX - ± 0.10mm X.XXX - ± 0.01mm ANGLES - ± 1° UNLESS STATED</p>		<p>MATERIAL: NYLON 66 - WHITE</p>		<p>TITLE: M3 CIRCULAR CLEARANCE SPACER</p>	
<p>HARWIN INC U.S.A. TEL: (812) 285 0055 FAX: (812) 285 0056</p>		<p>HARWIN PLC U.K. TEL: (01705) 370451 FAX: (01705) 324010</p>		<p>HARWIN PTE SINGAPORE TEL: 7794909 FAX: 7793868</p>		<p>DRAWING NUMBER: R30-670XX94</p>	
						<p>S/AREA: mm²</p>	
						<p>SHT 2 OF 2</p>	