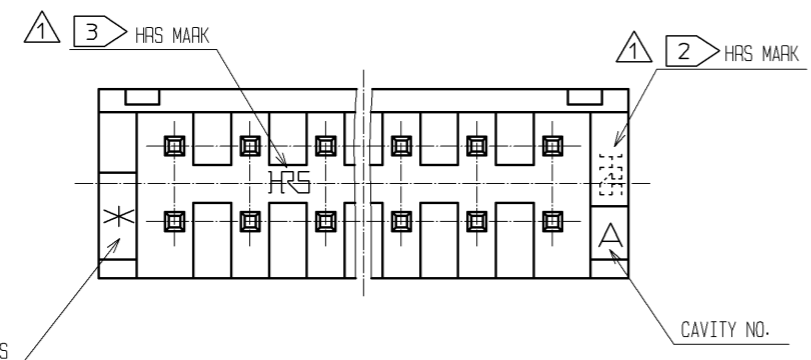
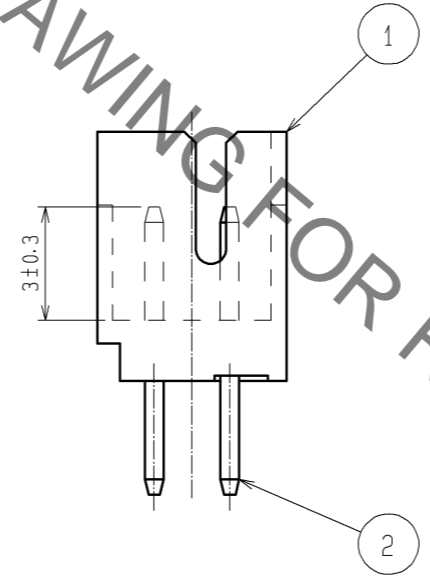
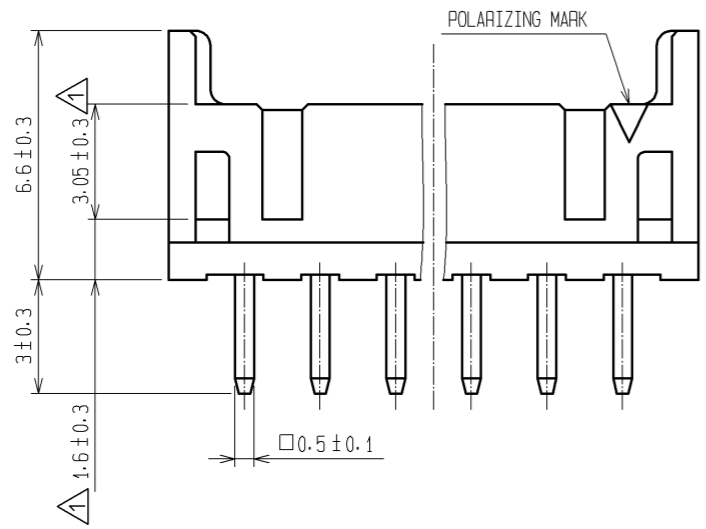
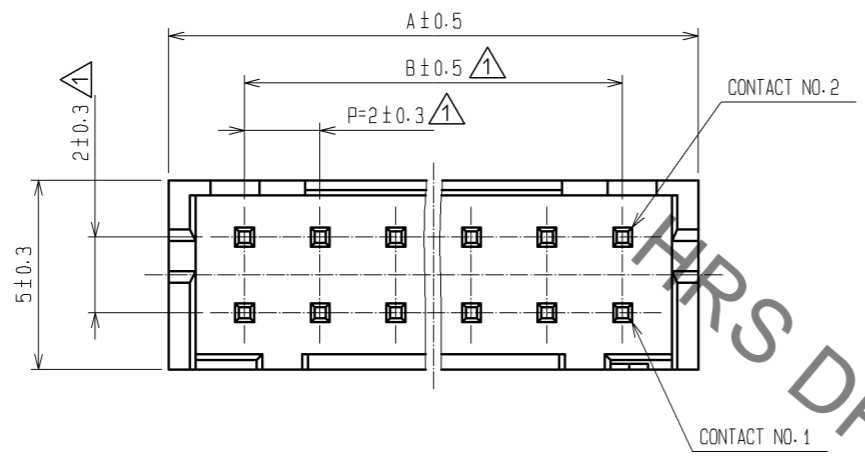
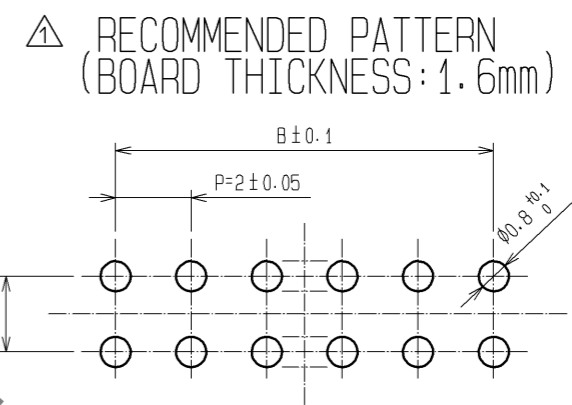


May.1.2020 Copyright 2020 HIROSE ELECTRIC CO., LTD. All Rights Reserved.
In case of consideration for using Automotive equipment / device which demand high reliability, kindly contact our sales window correspondents.



CL NO.	PART NO	NUMBER OF CONTACT	A	B
CL543-0517-5-01	DF11- 4DP-2DSA(01)	4	6	2
CL543-0518-8-01	DF11- 6DP-2DSA(01)	6	8	4
CL543-0519-0-01	DF11- 8DP-2DSA(01)	8	10	6
CL543-0520-0-01	DF11-10DP-2DSA(01)	10	12	8
CL543-0521-2-01	DF11-12DP-2DSA(01)	12	14	10
CL543-0522-5-01	DF11-14DP-2DSA(01)	14	16	12
CL543-0523-8-01	DF11-16DP-2DSA(01)	16	18	14
CL543-0524-0-01	DF11-18DP-2DSA(01)	18	20	16
CL543-0525-3-01	DF11-20DP-2DSA(01)	20	22	18
CL543-0526-6-01	DF11-22DP-2DSA(01)	22	24	20
CL543-0527-9-01	DF11-24DP-2DSA(01)	24	26	22
CL543-0528-1-01	DF11-26DP-2DSA(01)	26	28	24
CL543-0529-4-01	DF11-28DP-2DSA(01)	28	30	26
CL543-0530-3-01	DF11-30DP-2DSA(01)	30	32	28
CL543-0531-6-01	DF11-32DP-2DSA(01)	32	34	30
CL543-0532-9-01	DF11-34DP-2DSA(01)	34	36	32



△ NOTES 1 : 100 PIECES PER PACK.
 △ 2 : IN CASE OF 4 AND 6 CONTACTS CONNECTOR, HRS MARK IS INDICATED IN SHOWN AREA.
 △ 3 : IN CASE OF MORE THAN 8 CONTACTS CONNECTOR, HRS MARK IS INDICATED IN SHOWN AREA.

1	POLYAMIDE	BLACK, UL94V-0	2	BRASS	SURFACE:GOLD PLATED 0.2μm min △ UNDER PLATING:NICKEL PLATED 1μm min
NO.	MATERIAL	FINISH, REMARKS	NO.	MATERIAL	FINISH, REMARKS
UNITS mm		SCALE 5 : 1	COUNT 13	DESCRIPTION OF REVISIONS DIS-H-003841	DESIGNED YK. NAKATSU
APPROVED : KJ. KATAYOSE		05.01.05		DRAWING NO. EDC3-080551-01	
CHECKED : TY. OMA		05.01.05		PART NO. DF11- *DP-2DSA(01)	
DESIGNED : IO. DENPOUYA		05.01.05		CODE NO. CL543-	
DRAWN : IO. DENPOUYA		05.01.05		1/1	