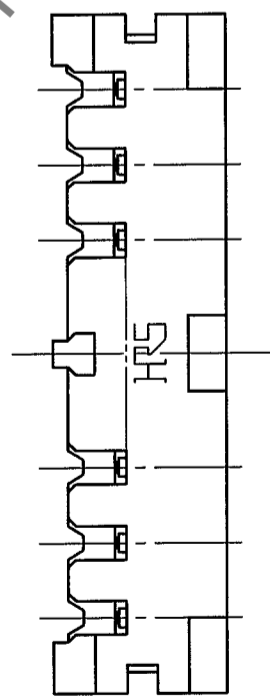
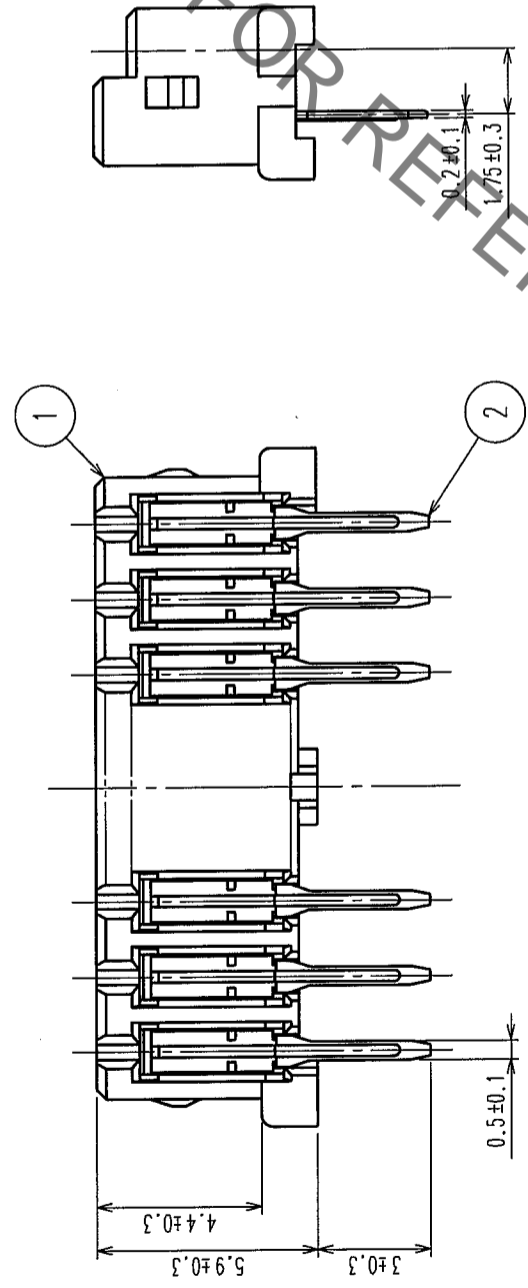
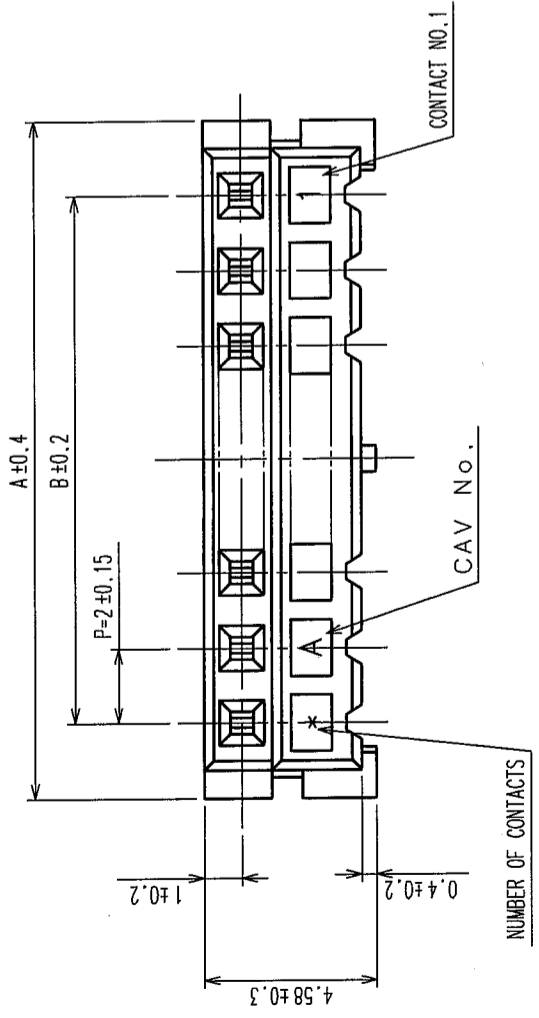
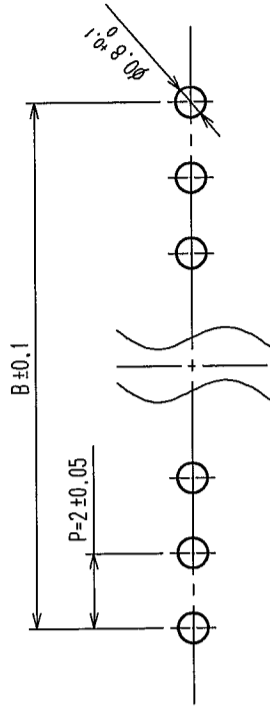


5	6	7	8	
COUNT	DESCRIPTION OF REVISIONS	BY	CHKD	DATE
△				
△				
△				



CODE NO.	PART NO.	NUMBER OF CONTACT	A	B
CL543-0048-6-25	DF3-2S-2DSA(25)	2	6.0	2.0
CL543-0049-9-25	DF3-3S-2DSA(25)	3	8.0	4.0
CL543-0050-8-25	DF3-4S-2DSA(25)	4	10.0	6.0
CL543-0051-0-25	DF3-5S-2DSA(25)	5	12.0	8.0
CL543-0052-3-25	DF3-6S-2DSA(25)	6	14.0	10.0
CL543-0053-6-25	DF3-7S-2DSA(25)	7	16.0	12.0
CL543-0054-9-25	DF3-8S-2DSA(25)	8	18.0	14.0
CL543-0055-1-25	DF3-9S-2DSA(25)	9	20.0	16.0
CL543-0056-4-25	DF3-10S-2DSA(25)	10	22.0	18.0
CL543-0057-7-25	DF3-11S-2DSA(25)	11	24.0	20.0
CL543-0058-0-25	DF3-12S-2DSA(25)	12	26.0	22.0
CL543-0059-2-25	DF3-13S-2DSA(25)	13	28.0	24.0
CL543-0060-1-25	DF3-14S-2DSA(25)	14	30.0	26.0
CL543-0061-4-25	DF3-15S-2DSA(25)	15	32.0	28.0

RECOMMENDED PATTERN

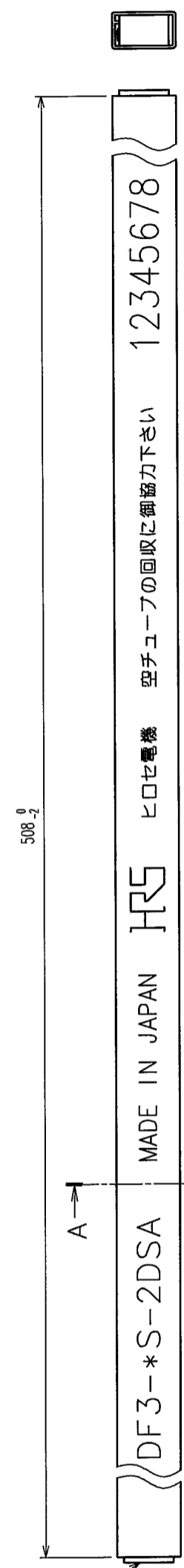


TO	
----	--

2	PHOSPHOR BRONZE	TIN PLATED 2μm min	4	S. PVC	STOPPER
1	POHYAMIDE	UL94V-0(BLACK)	3	RIGID POLYVINYLCHLORIDE	ELECTROSTATIC PROTECTION, CLEAR
NO.	MATERIAL	FINISH, REMARKS	NO.	MATERIAL	FINISH, REMARKS
CODE NO. (OLD)	CL		DESIGNED	CHECKED	APPROVED
			M. Nakamoto	T. Miyagaki	J. Owa
			'04.03.22	'04.03.22	'04.03.22
DRAWING NO.	EDC3-162329-10		PART NO.	DF3-*S-2DSA(25)	
SCALE	5 : 1		CODE NO.	CL543-	
UNITS	mm				

Jun.1.2020 Copyright 2020 HIROSE ELECTRIC CO., LTD. All Rights Reserved.
 In case of consideration for using Automotive equipment / device which demand high reliability, kindly contact our sales window correspondents.

COUNT		DESCRIPTION OF REVISIONS		BY	CHKD	DATE	COUNT	DESCRIPTION OF REVISIONS		BY	CHKD	DATE
△	△						△	△				
△	△						△	△				
△	△						△	△				



508.0

DF3-*S-2DSA

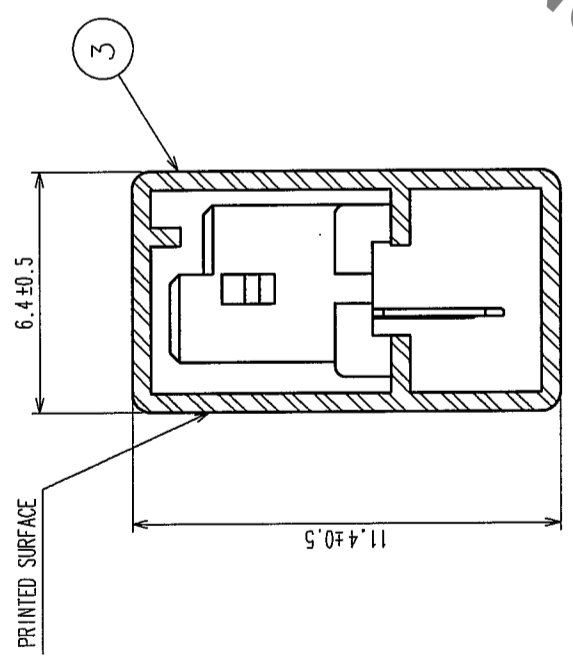
MADE IN JAPAN HRS

ヒロセ電機 空チューブの回収に御協力下さい 12345678

NOTES1. NUMBER OF CONNECTERS PER A MAGAZINE CASE SHALL BE IN ACCORDANCE WITH THE LIST.

2. THESE CONNECTORS SHALL BE ON SALED IN ACCORDANCE WITH THE MULTIPLE QUANTITY ON THE LIST.

A-A(5:1)



CODE NO.	PART NO.	NUMBER OF CONNECTORS
CL543-0048-6-25	DF3-2S-2DSA(25)	80
CL543-0049-9-25	DF3-3S-2DSA(25)	60
CL543-0050-8-25	DF3-4S-2DSA(25)	48
CL543-0051-0-25	DF3-5S-2DSA(25)	40
CL543-0052-3-25	DF3-6S-2DSA(25)	34
CL543-0053-6-25	DF3-7S-2DSA(25)	30
CL543-0054-9-25	DF3-8S-2DSA(25)	27
CL543-0055-1-25	DF3-9S-2DSA(25)	24
CL543-0056-4-25	DF3-10S-2DSA(25)	21
CL543-0057-7-25	DF3-11S-2DSA(25)	20
CL543-0058-0-25	DF3-12S-2DSA(25)	18
CL543-0059-2-25	DF3-13S-2DSA(25)	17
CL543-0060-1-25	DF3-14S-2DSA(25)	16
CL543-0061-4-25	DF3-15S-2DSA(25)	15

DRAWING FOR REFERENCE

NO.	MATERIAL	FINISH, REMARKS	NO.	MATERIAL	FINISH, REMARKS
CL					
DRAWN		M. Nakamoto	DESIGNED		H. Imahara
DATE		'04.03.22	CHECKED		T. Miyazaki
DRAWING NO.		EDC3-162329-10	APPROVED		J. Ana
SCALE			RELEASED		
UNITS		FR:EE	PART NO.		DF3-*S-2DSA(25)
ITTT			CODE NO.		CL543-

TO