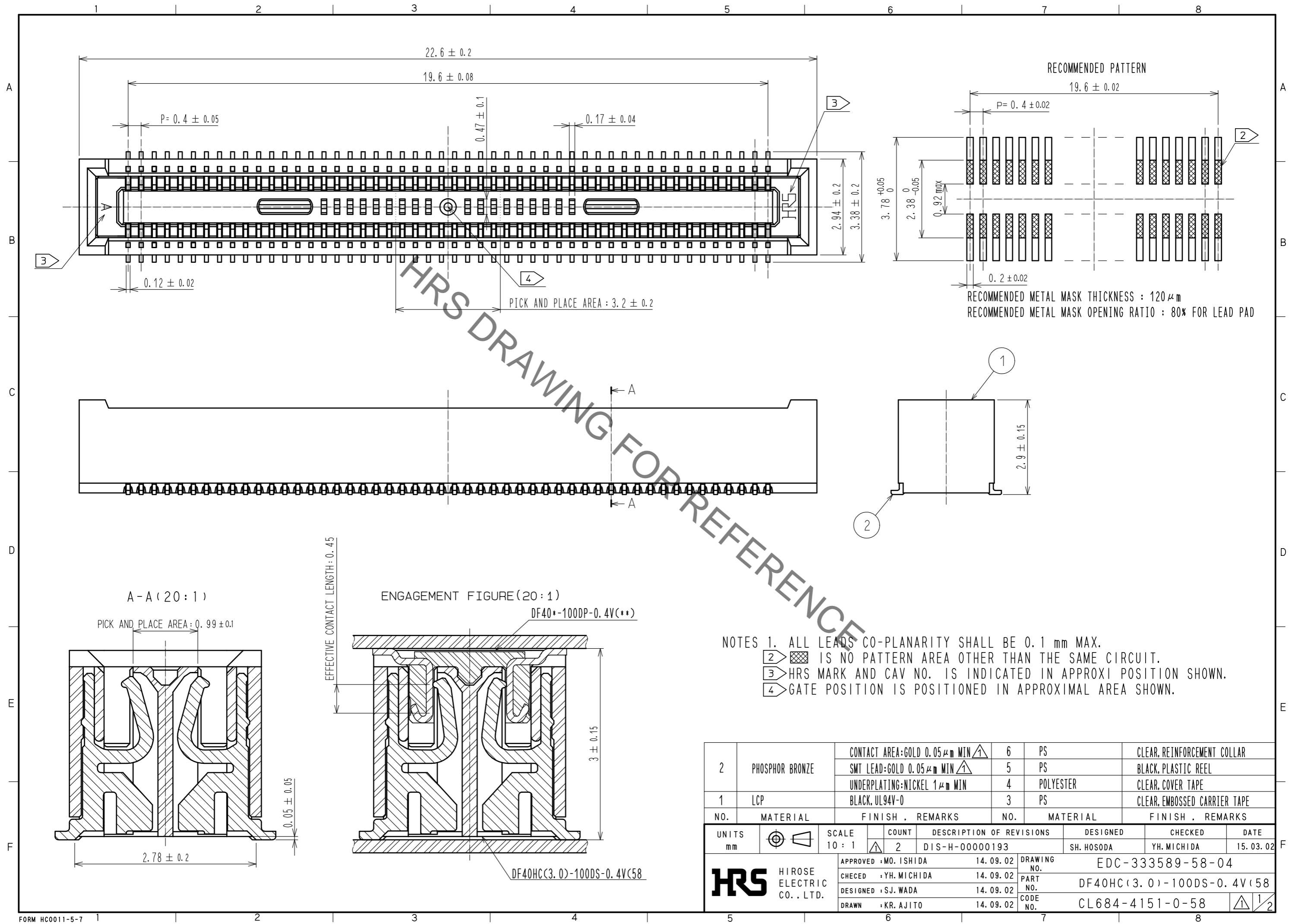


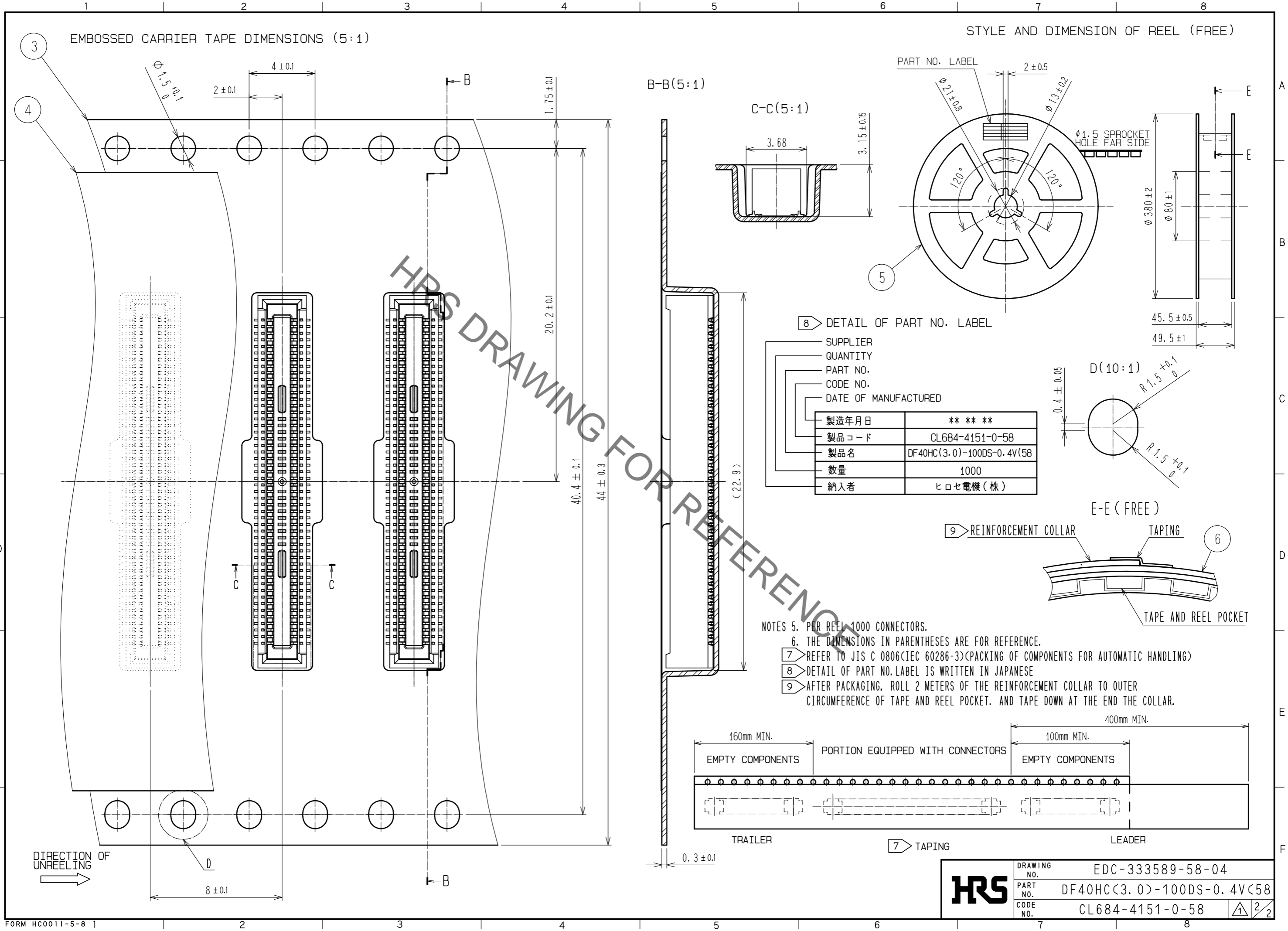
Jun.1.2020 Copyright 2020 HIROSE ELECTRIC CO., LTD. All Rights Reserved.
 In case of consideration for using Automotive equipment / device which demand high reliability, kindly contact our sales window correspondents.



- NOTES 1. ALL LEADS CO-PLANARITY SHALL BE 0.1 mm MAX.
 2. IS NO PATTERN AREA OTHER THAN THE SAME CIRCUIT.
 3. HRS MARK AND CAV NO. IS INDICATED IN APPROXI POSITION SHOWN.
 4. GATE POSITION IS POSITIONED IN APPROXIMAL AREA SHOWN.

2	PHOSPHOR BRONZE	CONTACT AREA:GOLD 0.05 μm MIN Δ	6	PS	CLEAR, REINFORCEMENT COLLAR		
		SMT LEAD:GOLD 0.05 μm MIN Δ	5	PS	BLACK, PLASTIC REEL		
		UNDERPLATING:NICKEL 1 μm MIN	4	POLYESTER	CLEAR, COVER TAPE		
1	LCP	BLACK, UL94V-0	3	PS	CLEAR, EMBOSSED CARRIER TAPE		
NO.	MATERIAL	FINISH . REMARKS	NO.	MATERIAL	FINISH . REMARKS		
UNITS	\odot \triangleleft	SCALE	COUNT	DESCRIPTION OF REVISIONS	DESIGNED	CHECKED	DATE
mm		10 : 1	Δ 2	DIS-H-00000193	SH. HOSODA	YH. MICHIDA	15. 03. 02
HRS HIROSE ELECTRIC CO., LTD.		APPROVED : MO. ISHIDA	14. 09. 02	DRAWING NO. EDC-333589-58-04			
		CHECED : YH. MICHIDA	14. 09. 02	PART NO. DF40HC(3.0)-100DS-0.4V(58)			
		DESIGNED : SJ. WADA	14. 09. 02	CODE NO. CL684-4151-0-58			
		DRAWN : KR. AJITO	14. 09. 02				

Jun.1.2020 Copyright 2020 HIROSE ELECTRIC CO., LTD. All Rights Reserved.
 In case of consideration for using Automotive equipment / device which demand high reliability, kindly contact our sales window correspondents.



EMBOSSED CARRIER TAPE DIMENSIONS (5:1)

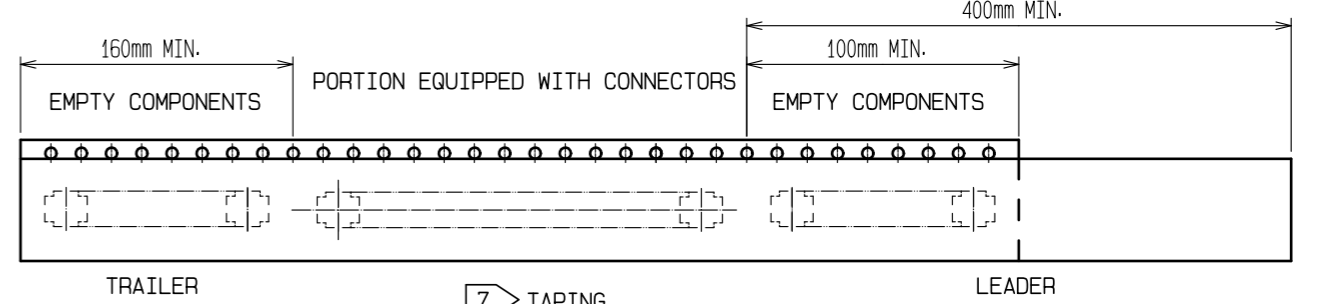
STYLE AND DIMENSION OF REEL (FREE)

8) DETAIL OF PART NO. LABEL

SUPPLIER
 QUANTITY
 PART NO.
 CODE NO.
 DATE OF MANUFACTURED

製造年月日	** ** *
製品コード	CL684-4151-0-58
製品名	DF40HC(3.0)-100DS-0.4V(58)
数量	1000
納入者	ヒロセ電機(株)

- NOTES
- 5. PER REEL 1000 CONNECTORS.
 - 6. THE DIMENSIONS IN PARENTHESES ARE FOR REFERENCE.
 - 7. REFER TO JIS C 0806(IEC 60286-3)(PACKING OF COMPONENTS FOR AUTOMATIC HANDLING)
 - 8. DETAIL OF PART NO. LABEL IS WRITTEN IN JAPANESE
 - 9. AFTER PACKAGING, ROLL 2 METERS OF THE REINFORCEMENT COLLAR TO OUTER CIRCUMFERENCE OF TAPE AND REEL POCKET. AND TAPE DOWN AT THE END THE COLLAR.



HRS	DRAWING NO.	EDC-333589-58-04
	PART NO.	DF40HC(3.0)-100DS-0.4V(58)
	CODE NO.	CL684-4151-0-58
		△ 2/2