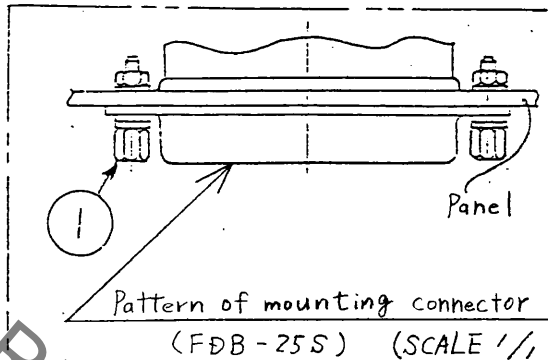
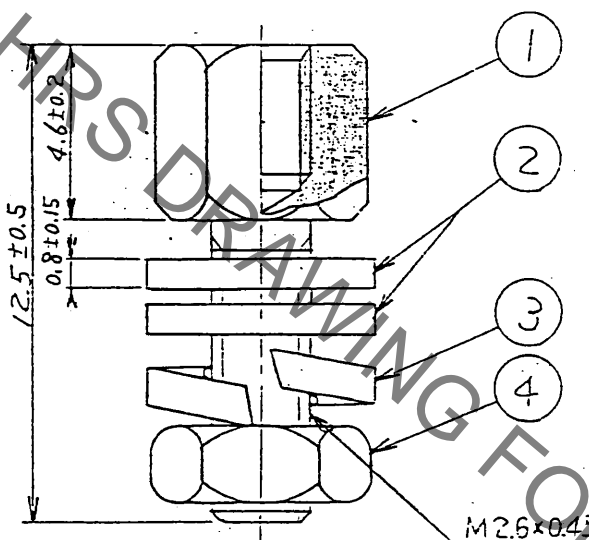
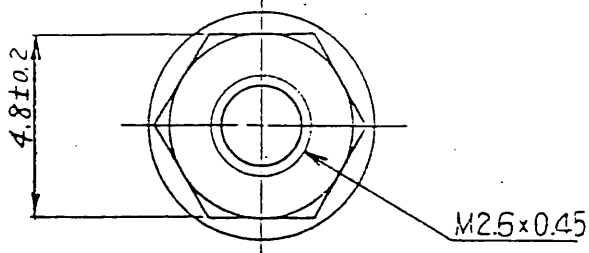
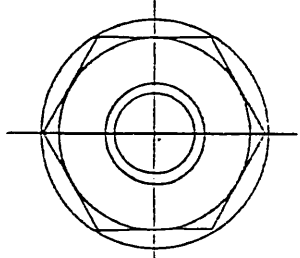


Jun.1.2020 Copyright 2020 HIROSE ELECTRIC CO., LTD. All Rights Reserved.
In case of consideration for using Automotive equipment / device which demand high reliability, kindly contact our sales window correspondents.

1		2			3			4		
△の数 COUNT	訂正記事 DESCRIPTION OF REVISIONS	担当 BY	検閲 CHKD	年月日 DATE	△の数 COUNT	訂正記事 DESCRIPTION OF REVISIONS	担当 BY	検閲 CHKD	年月日 DATE	
△				..	△				..	
△				..	△				..	
△				..	△				..	



Note: 1. PART No. shall be 1 set (2 pieces) in accordance with Pattern of mounting connector.



2	Steel	Nickel plated	4	Steel	Nickel plated	Hexagon nut M2.6 X 0.45
1	Steel	Nickel plated	3	Steel	Nickel plated	
部番 No.	材質 MATERIAL	処理,備考 FINISH,REMARKS	部番 No.	材質 MATERIAL	処理,備考 FINISH,REMARKS	

一般公差 GENERAL DIMENSION TOLERANCE		旧製品コード CODE No. (OLD)	製図 DRAWN	担当 DESIGNED	検閲 CHECKED	査閲 REVIEWED	承認 APPROVED	出図 ISSUED
寸法区分 OVER TO	公差 TOLERANCE		24.5.91 Shimazu	24.5.91 Suzuki	24.5.91 Suzuki		27.5.91 A. Nakayama	
6	±0.3	図名 DRAWING NAME 承認図	図番 DRAWING No. ADC4-08978					
6	18 ±0.5		製品名 PART No. HD-LNA(05)					
18	50 ±0.7		DRAWING FOR APPROVAL					
50	125 ±1		製品コード CODE No. CL211-0172-6-05					
125	250 ±1.3							
250	500 ±2							
角度 ANGULAR ±1°								

HRS ヒロセ電機株式会社 HIROSE ELECTRIC CO., LTD.		単位 UNITS mm	尺度 SCALE 5:1	製品コード CODE No. CL211-0172-6-05		
--	--	----------------	-----------------	-----------------------------------	--	--

形質検査	
TO	
Q1	