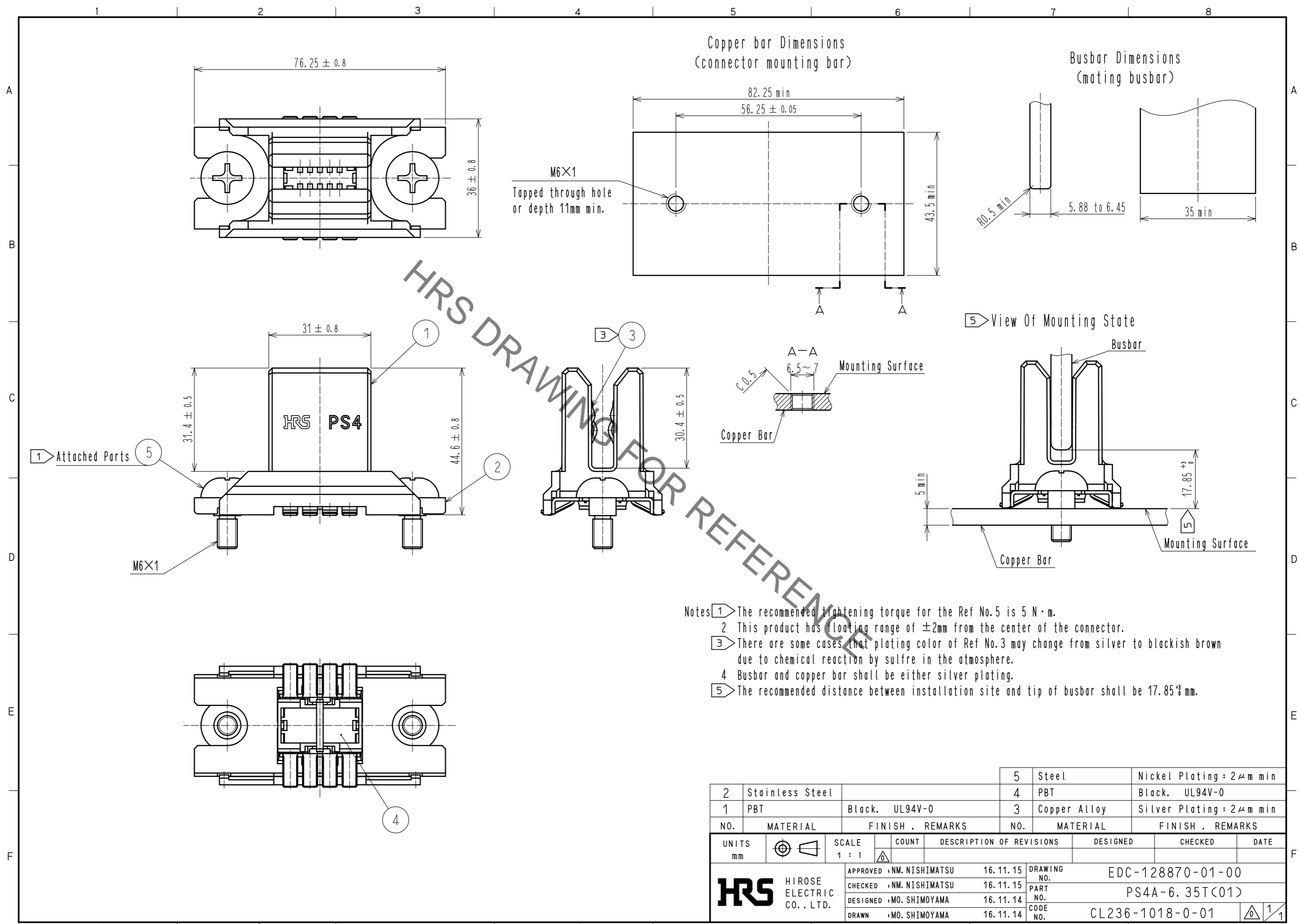


May.1.2020 Copyright 2020 HIROSE ELECTRIC CO., LTD. All Rights Reserved.
In case of consideration for using Automotive equipment / device which demand high reliability, kindly contact our sales window correspondents.



- Notes
- ① The recommended tightening torque for the Ref No.5 is 5 N·m.
 - ② This product has floating range of ±2mm from the center of the connector.
 - ③ There are some cases that plating color of Ref No.3 may change from silver to blackish brown due to chemical reaction by sulfure in the atmosphere.
 - ④ Busbar and copper bar shall be either silver plating.
 - ⑤ The recommended distance between installation site and tip of busbar shall be 17.85⁺³mm.

2	Stainless Steel		5	Steel	Nickel Plating : 2μm min
1	PBT	Black. UL94V-0	4	PBT	Black. UL94V-0
			3	Copper Alloy	Silver Plating : 2μm min
NO.	MATERIAL	FINISH . REMARKS	NO.	MATERIAL	FINISH . REMARKS

UNITS	mm	SCALE	1 : 1	COUNT	DESCRIPTION OF REVISIONS	DESIGNED	CHECKED	DATE
HRS		HIROSE ELECTRIC CO., LTD.		APPROVED	: NM. NISHIMATSU	16.11.15	DRAWING NO. EDC-128870-01-00	
		CHECKED	: NM. NISHIMATSU	16.11.15	PART NO.		PS4A-6.35T(01)	
		DESIGNED	: MO. SHIMOYAMA	16.11.14	CODE NO.		CL236-1018-0-01	
		DRAWN	: MO. SHIMOYAMA	16.11.14			1/1	