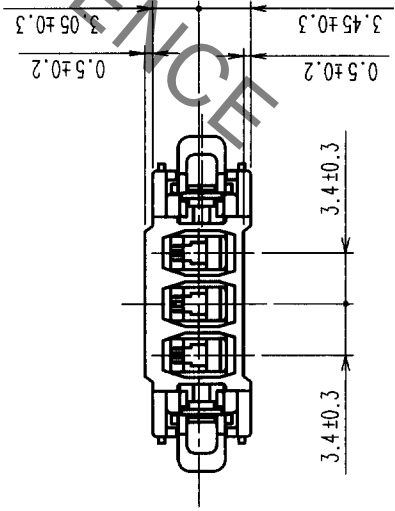
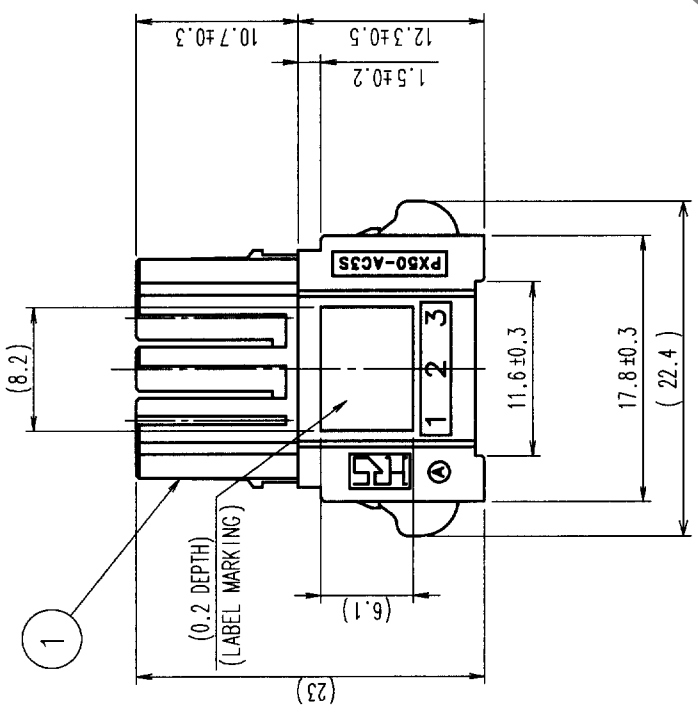
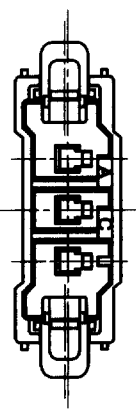


COUNT	DESCRIPTION OF REVISIONS	BY	CHKD	DATE	COUNT	DESCRIPTION OF REVISIONS	BY	CHKD	DATE
△				..	△				..
△				..	△				..
△				..	△				..

TABLE 1

CONTACT CODE	APPLICABLE WIRE	RATED CURRENT
PX50-SC-31 (*→1 LOOSE PIECE CONTACT) (*→2 STRIP CONTACT)	AWG #16 AWG #18	10A 8A



- NOTES
- APPLICABLE CONTACT, APPLICABLE WIRE AND RATED CURRENT ARE SHOWN IN TABLE 1. SPECIFIED CURRENTS ARE RATED VALUE PER CONTACT. (30A PER 3 CONTACTS FOR AWG #16 WIRE)
 - PLEASE DO NOT USE FOR THE PURPOSE OF INTERRUPTING THE CURRENT.
 - PLEASE ORDER TO BE MADE PER 100 PCS.

NO.	MATERIAL	FINISH, REMARKS	NO.	PBT	(COLOR: BLACK)	UL94V-0
1						

CODE NO. (OLD)	FINISH, REMARKS	DRAWN	DESIGNED	CHECKED	APPROVED	RELEASED
CL		(Drawing) T. Kobayashi	13.5.9	13.5.10	Shitaya	

DRAWING NO.	PART NO.
EDC3-121810	PX50-AC3S

SCALE	UNITS	CODE NO.
2 : 1	mm	CL236-0010-0

TO
Q1

HRS DRAWING FOR REFERENCE