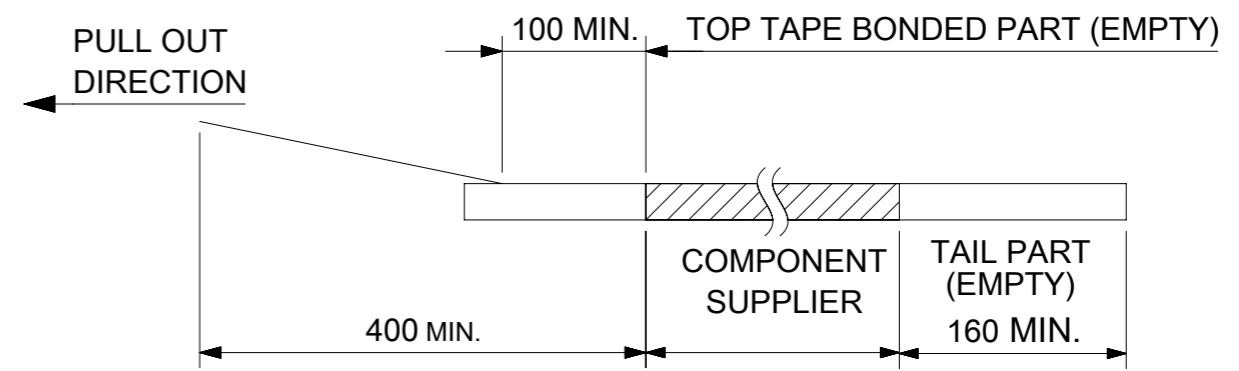
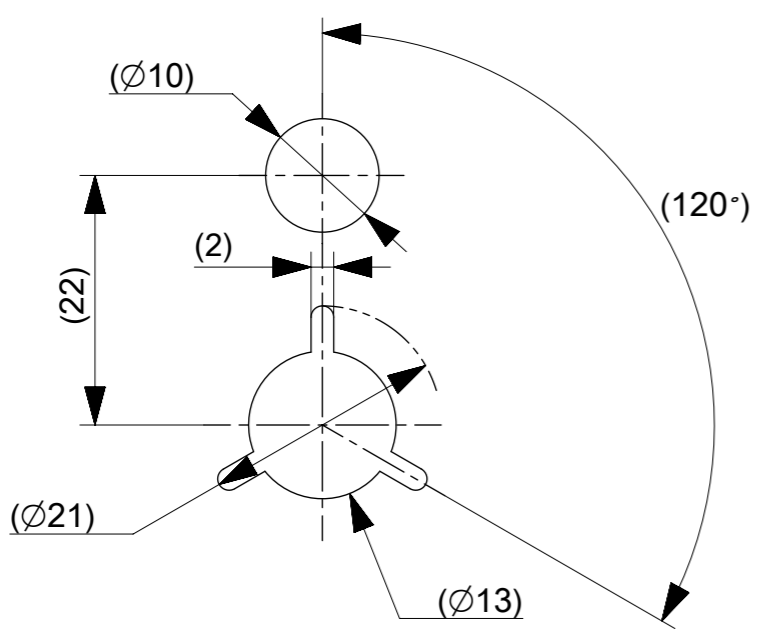


- NOTES
1. FOR DIMENSION OF PRODUCT, REFER TO PRODUCT DRAWING.
 2. NUMBER OF CONNECTORS : 7000 PCS/REEL
 3. LEAD TAPE LENGTH



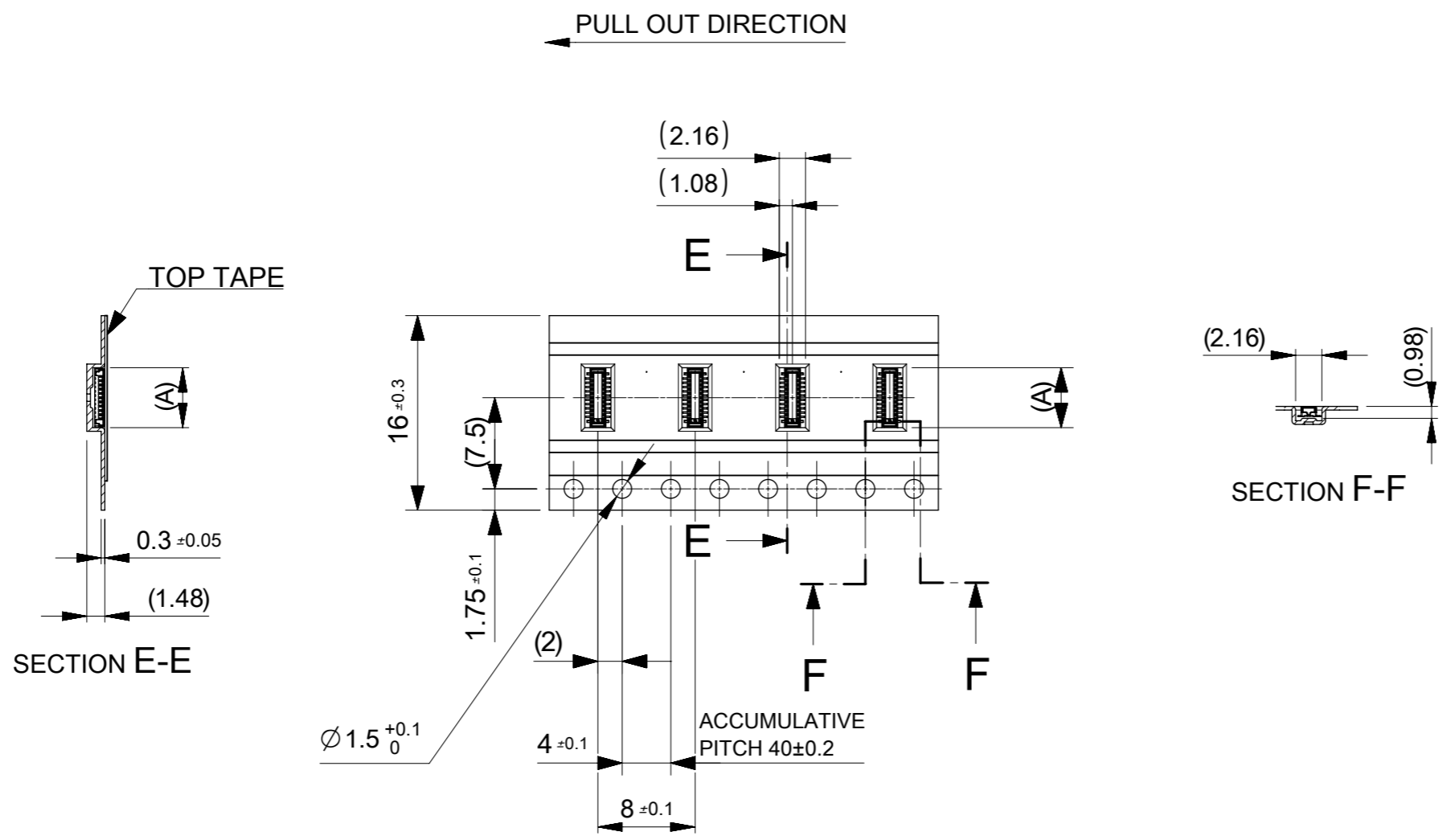
4. TOP TAPE PEEL FORCE IS DEFINED BY IEC60286-3.
5. MATERIAL
 CARRIER TAPE : POLYSTYRENE
 TOP TAPE : PET , OTHER
 REEL : POLYSTYRENE (PS) < RECYCLE MATERIAL CONTAINED >



DETAIL "D"

CONNECTOR SERIES NO. 505417**09

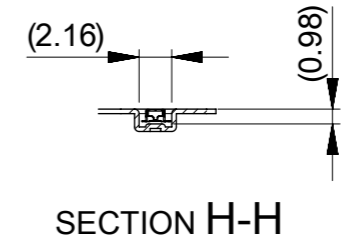
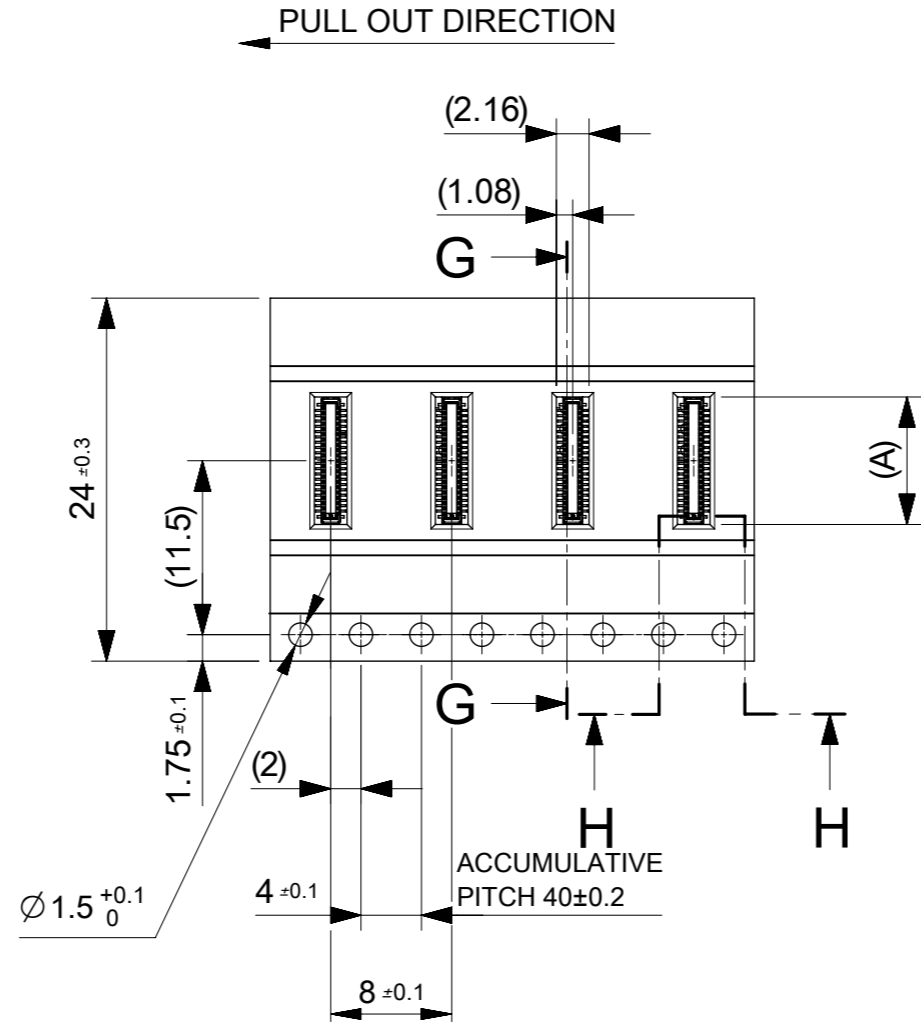
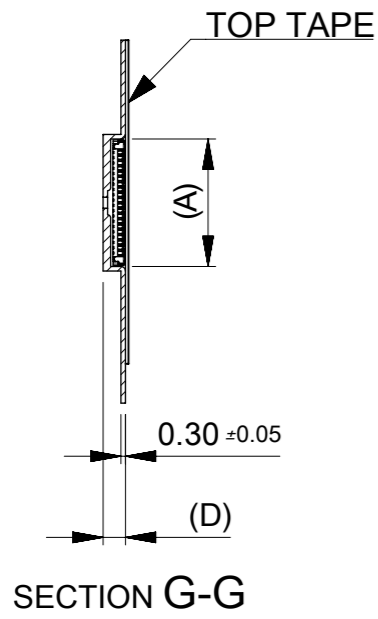
THIS DRAWING CONTAINS INFORMATION THAT IS PROPRIETARY TO MOLEX ELECTRONIC TECHNOLOGIES, LLC AND SHOULD NOT BE USED WITHOUT WRITTEN PERMISSION		CURRENT REV DESC: REVISED		molex		
DIMENSION UNITS	SCALE					
mm	NTS			PRODUCT CUSTOMER DRAWING		
GENERAL TOLERANCES (UNLESS SPECIFIED)		EC NO: 601150		DOCUMENT NUMBER		
ANGULAR TOL	$\pm 3.0^\circ$	DRWN: FSATO 2017/10/24		5054170000		
4 PLACES	± 0.03	CHK'D: KSASAKI 2018/07/09		DOC TYPE	DOC PART	REVISION
3 PLACES	± 0.03	APPR: TKUSUHARA01 2018/07/10		PSD	000	H
2 PLACES	± 0.05	INITIAL REVISION:		MATERIAL NUMBER		
1 PLACE	± 0.1	DRWN: NNAKAZAWA 2016/03/16		CUSTOMER		
0 PLACES	± 0.2	APPR: KMORIKAWA 2016/04/26		GENERAL		
DRAFT WHERE APPLICABLE MUST REMAIN WITHIN DIMENSIONS		THIRD ANGLE PROJECTION	DRAWING	SERIES	MATERIAL NUMBER	SHEET NUMBER
			A3-SIZE	505417	SEE CHART	1 OF 3



16	21.4	17.4	6.68	5054173010	○	---	30
			3.88	5054171410	○	---	14
			2.43	5054170610	○	---	6
キャリアテープ幅 CARRIER TAPE WIDTH	C	B	(A)	EMBOSSED TAPE PACKAGE	HIGH VOL. TOOL	LOW VOL. TOOL	CIRCUIT
ORDER NO.	SAMPLE PREPARATION ○:TOOLED △:WOOK IN PROCESS ---:TOOLING TO BE CONFIRMED						

THIS DRAWING CONTAINS INFORMATION THAT IS PROPRIETARY TO MOLEX ELECTRONIC TECHNOLOGIES, LLC AND SHOULD NOT BE USED WITHOUT WRITTEN PERMISSION

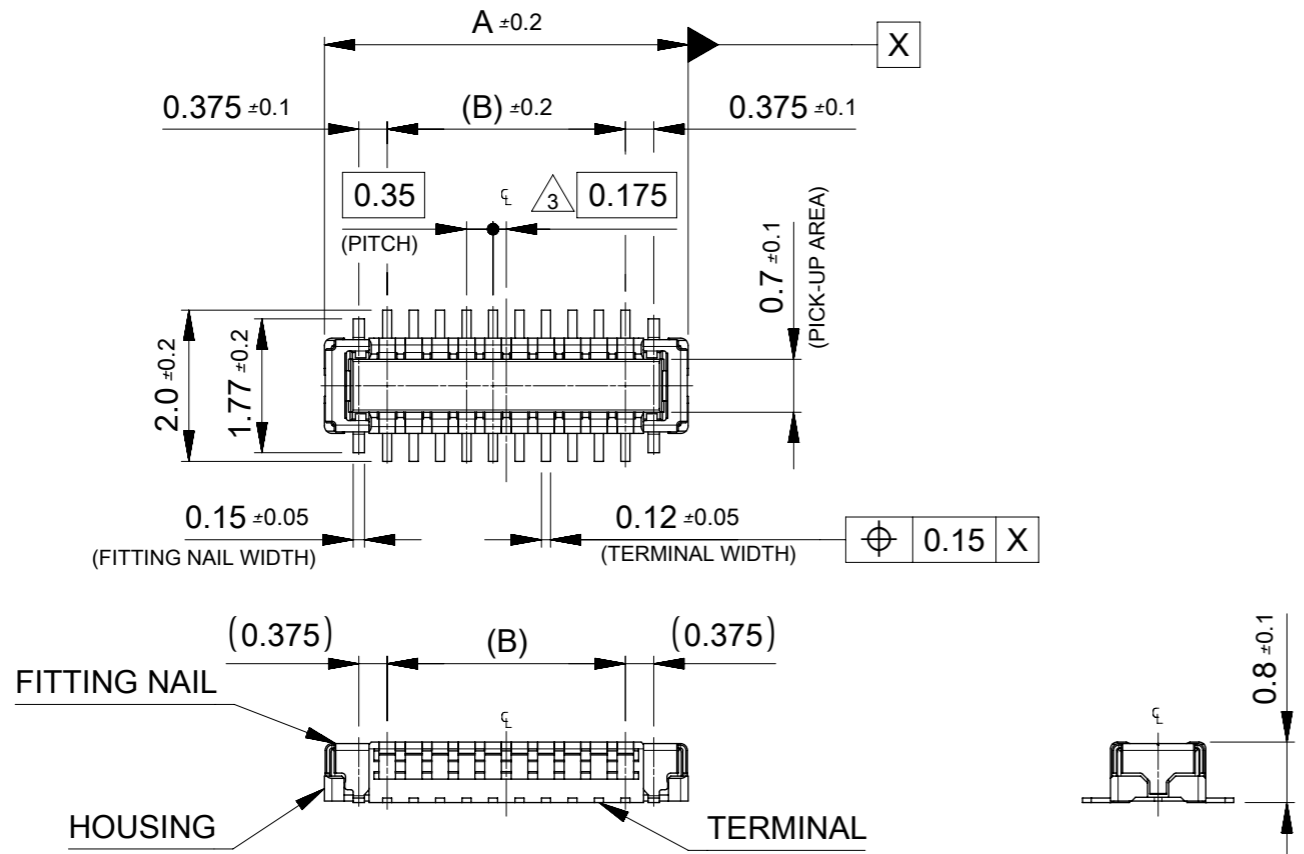
DIMENSION UNITS mm	SCALE NTS	CURRENT REV DESC: REVISED		molex		
GENERAL TOLERANCES (UNLESS SPECIFIED)		EC NO: 601150				
ANGULAR TOL	± 3.0 °	DRWN: FSATO	2017/10/24	PRODUCT CUSTOMER DRAWING		
4 PLACES	± 0.03	CHK'D: KSASAKI	2018/07/09	DOCUMENT NUMBER		
3 PLACES	± 0.03	APPR: TKUSUHARA01	2018/07/10	5054170000		
2 PLACES	± 0.05	INITIAL REVISION:		DOC TYPE	DOC PART	REVISION
1 PLACE	± 0.1	DRWN: NNAKAZAWA	2016/03/16	PSD	000	H
0 PLACES	± 0.2	APPR: KMORIKAWA	2016/04/26	SHEET NUMBER		
DRAFT WHERE APPLICABLE MUST REMAIN WITHIN DIMENSIONS	THIRD ANGLE PROJECTION	DRAWING	SERIES	MATERIAL NUMBER	CUSTOMER	SHEET NUMBER
		A3-SIZE	505417	SEE CHART	GENERAL	2 OF 3



24	1.48	29.4	25.4	11.93	5054176010	○	---	60
	1.41			8.43	5054174010	○	---	40
	1.48			7.38	5054173410	○	---	34
キャリアテープ幅 CARRIER TAPE WIDTH	(D)	C	B	(A)	EMBOSSED TAPE PACKAGE	HIGH VOL. TOOL	LOW VOL. TOOL	CIRCUIT
				ORDER NO.	SAMPLE PREPARATION ○:TOOLED △:WOOK IN PROCESS ---:TOOLING TO BE CONFIRMED			

THIS DRAWING CONTAINS INFORMATION THAT IS PROPRIETARY TO MOLEX ELECTRONIC TECHNOLOGIES, LLC AND SHOULD NOT BE USED WITHOUT WRITTEN PERMISSION

DIMENSION UNITS mm	SCALE NTS	CURRENT REV DESC: REVISED		molex			
GENERAL TOLERANCES (UNLESS SPECIFIED)		EC NO: 601150					0.35 BB H=1.0 SSB10RP PLUG EMBSTP PKG
ANGULAR TOL	± 3.0 °	DRWN: FSATO 2017/10/24		PRODUCT CUSTOMER DRAWING			
4 PLACES	± 0.03	CHK'D: KSASAKI 2018/07/09		DOCUMENT NUMBER			
3 PLACES	± 0.03	APPR: TKUSUHARA01 2018/07/10		5054170000			
2 PLACES	± 0.05	INITIAL REVISION:		DOC TYPE	DOC PART	REVISION	
1 PLACE	± 0.1	DRWN: NNAKAZAWA 2016/03/16		PSD	000	H	
0 PLACES	± 0.2	APPR: KMORIKAWA 2016/04/26		SHEET NUMBER			
DRAFT WHERE APPLICABLE MUST REMAIN WITHIN DIMENSIONS		THIRD ANGLE PROJECTION	DRAWING	SERIES	MATERIAL NUMBER	CUSTOMER	SHEET NUMBER
			A3-SIZE	505417	SEE CHART	GENERAL	3 OF 3



14.76	14.16	11.90	13.56	5054177010	---	---	70
13.71	13.11	10.85	12.51	5054176410	---	---	64
13.01	12.41	10.15	11.81	5054176010	○	---	60
11.96	11.36	9.10	10.76	5054175410	---	---	54
11.26	10.66	8.40	10.06	5054175010	---	---	50
10.91	10.31	8.05	9.71	5054174810	---	---	48
10.56	9.96	7.70	9.36	5054174610	---	---	46
9.86	9.26	7.00	8.66	5054174210	---	---	42
9.51	8.91	6.65	8.31	5054174010	○	---	40
8.46	7.86	5.60	7.26	5054173410	○	---	34
7.76	7.16	4.90	6.56	5054173010	○	---	30
6.71	6.11	3.85	5.51	5054172410	---	---	24
6.36	5.76	3.50	5.16	5054172210	---	---	22
6.01	5.41	3.15	4.81	5054172010	---	---	20
5.66	5.06	2.80	4.46	5054171810	---	---	18
5.31	4.71	2.45	4.11	5054171610	---	---	16
4.96	4.36	2.10	3.76	5054171410	○	---	14
4.61	4.01	1.75	3.41	5054171210	---	---	12
4.26	3.66	1.40	3.06	5054171010	---	---	10
3.56	2.96	0.70	2.36	5054170610	○	---	6
D	C	B	A	EMBOSSED TAPE PACKAGE	MASS PRODUCTION	LOW VOL. TOOL	CIRCUIT
				ORDER No.	SMAPLE PREPARATION ○: TOOLED △: WORK IN PROCESS ---: TOOLING TO BE CONFIRMED		
				CONNECTOR No. : 505417**09			

NOTES

- MATERIAL
HOUSING : LIQUID CRYSTAL POLYMER UL94V-0 (COLOR : BLACK)
TERMINAL : COPPER ALLOY
FITTING NAIL : COPPER ALLOY
- PLATING
TERMINAL :
GOLD
UNDER PLATING NICKEL
*DIVIDE INTO PARTS THE GOLD PLATING OF CONTACT AND THE TAIL PART BY THE NICKEL PLATING.
FITTING NAIL :
GOLD(ONLY CONTACT AND TAIL PART)
UNDER PLATING NICKEL
- APPLY FOR (CIRCUIT/2)=EVEN
- MATE WITH : 505413**10
- TAIL AND FITTING NAIL COPLANARITY TO BE 0.08MAXIMUM.
- PROHIBITED AREA OF PATTERN WIRING AND SOLDER.
(FOR EACH AREA, THE WIRING THAT TOUCHES ON THE SOLDER CAN BE ATTACHED, THEN COVERED WITH A FILM TO KEEP SOLDER OUT.)
- ELV and RoHS COMPLIANT.

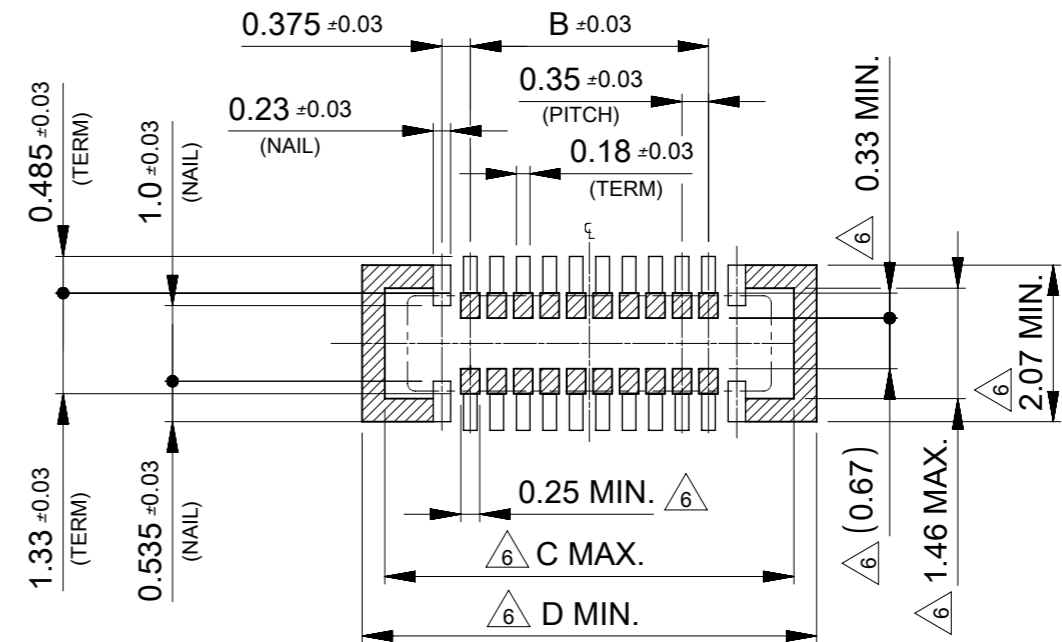
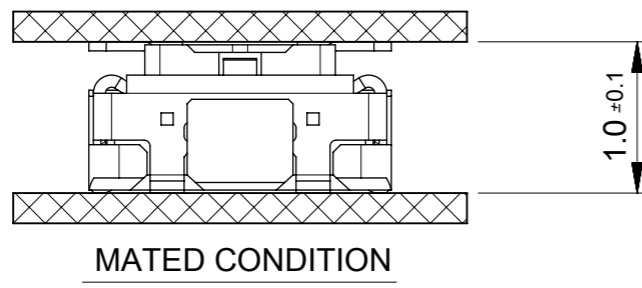
THIS DRAWING CONTAINS INFORMATION THAT IS PROPRIETARY TO MOLEX ELECTRONIC TECHNOLOGIES, LLC AND SHOULD NOT BE USED WITHOUT WRITTEN PERMISSION

DIMENSION UNITS	SCALE	CURRENT REV DESC:					
mm	10:1						
GENERAL TOLERANCES (UNLESS SPECIFIED)		molex 0.35 BB CONN. H=1.0 SSB10RP PLUG ASSY PRODUCT CUSTOMER DRAWING					
ANGULAR TOL	± 3.0°						
4 PLACES	± 0.03						
3 PLACES	± 0.03						
2 PLACES	± 0.05						
1 PLACE	± 0.1						
0 PLACES	± 0.2						
DRAFT WHERE APPLICABLE MUST REMAIN WITHIN DIMENSIONS		THIRD ANGLE PROJECTION	DRAWING	SERIES	MATERIAL NUMBER	CUSTOMER	SHEET NUMBER
			A3-SIZE	505417	SEE CHART	GENERAL	1 OF 2

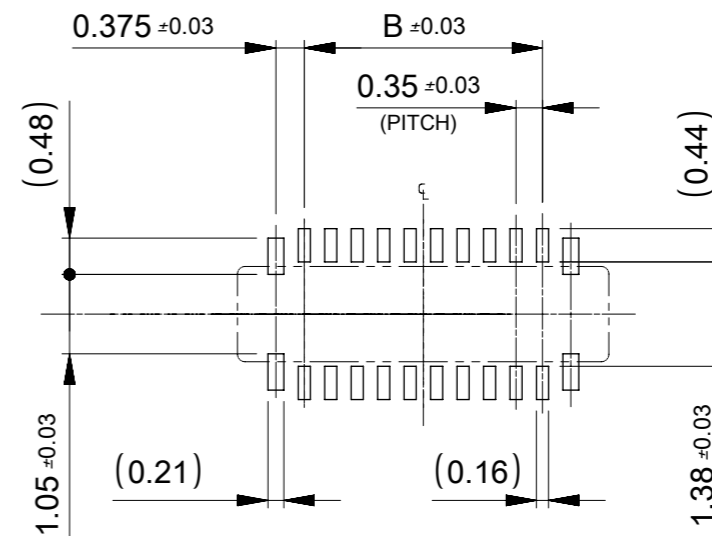
EC NO: 601150
DRWN: RMIYAMOTO 2018/07/09
CHK'D: KSASAKI 2018/07/09
APPR: TKUSUHARA01 2018/07/10

INITIAL REVISION:
DRWN: HONO01 2016/04/25
APPR: KMORIKAWA 2016/04/26

DOCUMENT NUMBER: 5054171000
DOC TYPE: PSD
DOC PART: 000
REVISION: E



RECOMMENDED P.W.BOARD PATTERN LAYOUT (REFERENCE)



RECOMMENDED METAL MASK LAYOUT (REFERENCE)

RECOMMENDED THICKNESS OF METAL MASK : t=0.08mm

RECOMMENDED OPEN APERTURE RATIO OF METAL MASK : 80%

THIS DRAWING CONTAINS INFORMATION THAT IS PROPRIETARY TO MOLEX ELECTRONIC TECHNOLOGIES, LLC AND SHOULD NOT BE USED WITHOUT WRITTEN PERMISSION															
DIMENSION UNITS		SCALE		CURRENT REV DESC:						molex					
mm		10:1													
GENERAL TOLERANCES (UNLESS SPECIFIED)				EC NO: 601150						0.35 BB CONN. H=1.0 SSB10RP PLUG ASSY					
ANGULAR TOL ± 3.0°				DRWN: RMIYAMOTO 2018/07/09											
4 PLACES ± 0.03				CHK'D: KSASAKI 2018/07/09											
3 PLACES ± 0.03				APPR: TKUSUHARA01 2018/07/10						PRODUCT CUSTOMER DRAWING					
2 PLACES ± 0.05				INITIAL REVISION:											
1 PLACE ± 0.1				DRWN: HONO01 2016/04/25						DOCUMENT NUMBER		DOC TYPE	DOC PART	REVISION	
0 PLACES ± 0.2				APPR: KMORIKAWA 2016/04/26						5054171000		PSD	000	E	
DRAFT WHERE APPLICABLE MUST REMAIN WITHIN DIMENSIONS				THIRD ANGLE PROJECTION		DRAWING		SERIES		MATERIAL NUMBER		CUSTOMER		SHEET NUMBER	
						A3-SIZE		505417		SEE CHART		GENERAL		2 OF 2	