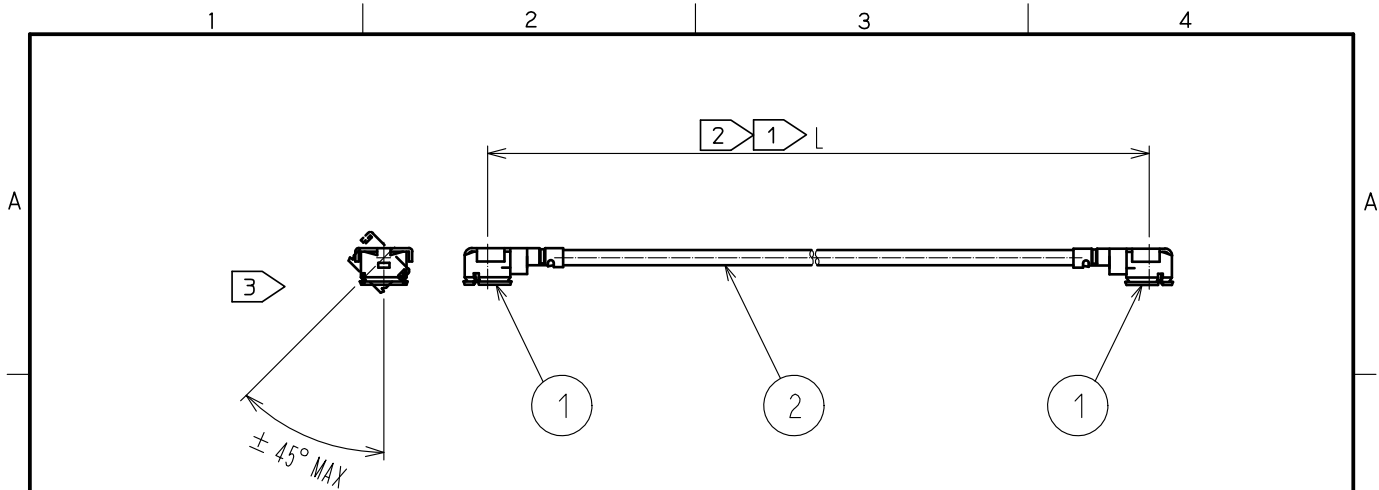


Jun.1.2020 Copyright 2020 HIROSE ELECTRIC CO., LTD. All Rights Reserved.  
In case of consideration for using Automotive equipment / device which demand high reliability, kindly contact our sales window correspondents.



Part No.	Cable color
~04*1TV~	WHITE
~04*2TV~	BLACK

NOTE ① We indicate the length of the harness on the last of product name. 'L' part.

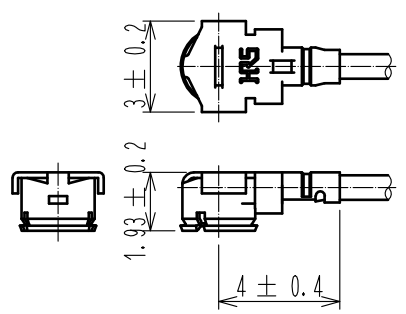
② Tolerance for [ L ]

Length L [mm]	Tolerance [mm]
35 ≦ L ≦ 200	±4
200 < L ≦ 500	±8
500 < L ≦ 1000	±12
1000 < L	±1.5%

③ Connector rotation angle is within ±45 degree from the above image. For long length in the case of L>500, the angle is optional.

4. Specifications are subject to change without notice.

【 DIMENSIONS OF CONNECTOR 】



1	U.FL-LP-040HF	CL331-0557-3	2	0.81 Dia. coaxial cable
NO.	PART NO.	CODE NO.	NO.	PART NO.

HALOGEN FREE

UNITS mm	SCALE FREE	COUNT	DESCRIPTION OF REVISIONS	DESIGNED	CHECKED	DATE
<b>HIROSE ELECTRIC CO., LTD.</b>	APPROVED	•TS. NOBE	18.06.18	DRAWING NO.		
	CHECKED	•MT. KANEKO	18.06.18	PART NO. U.FL-2LPHF6-04**TV-A-L		
	DESIGNED	•MS. MATSUMOTO	18.06.18	CODE NO.		
	DRAWN	•MS. MATSUMOTO	18.06.18	NO.		