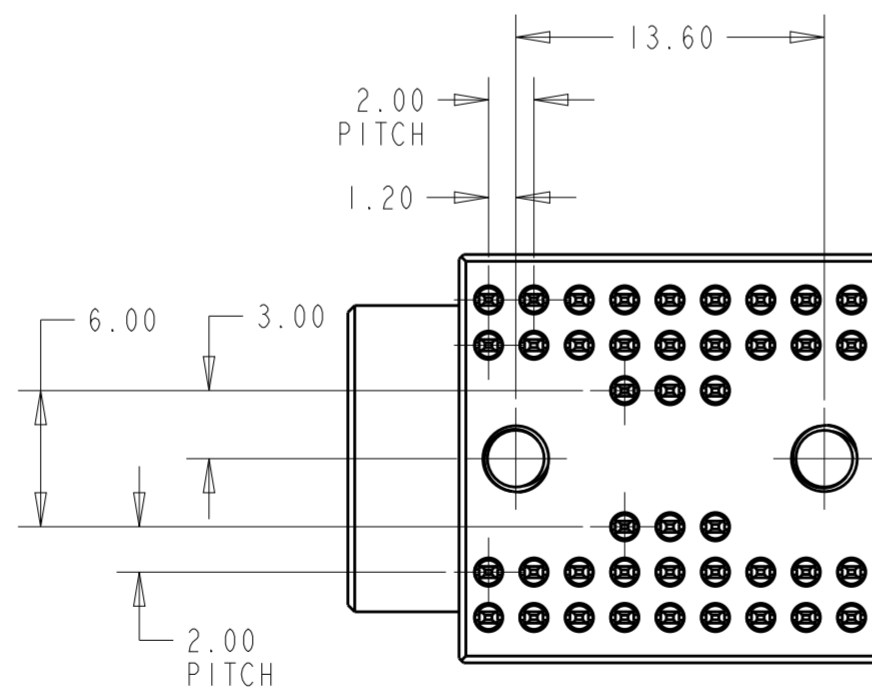
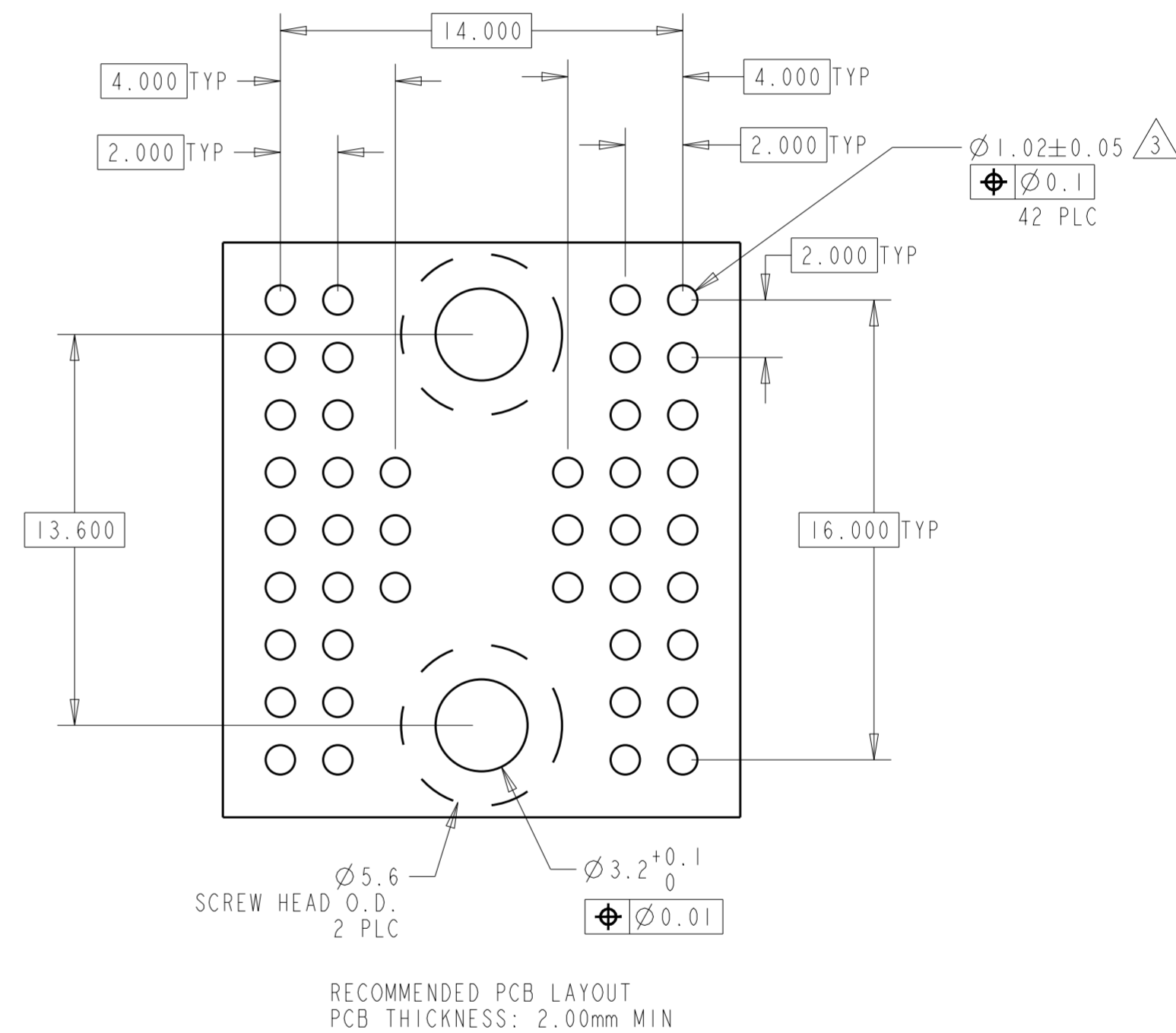
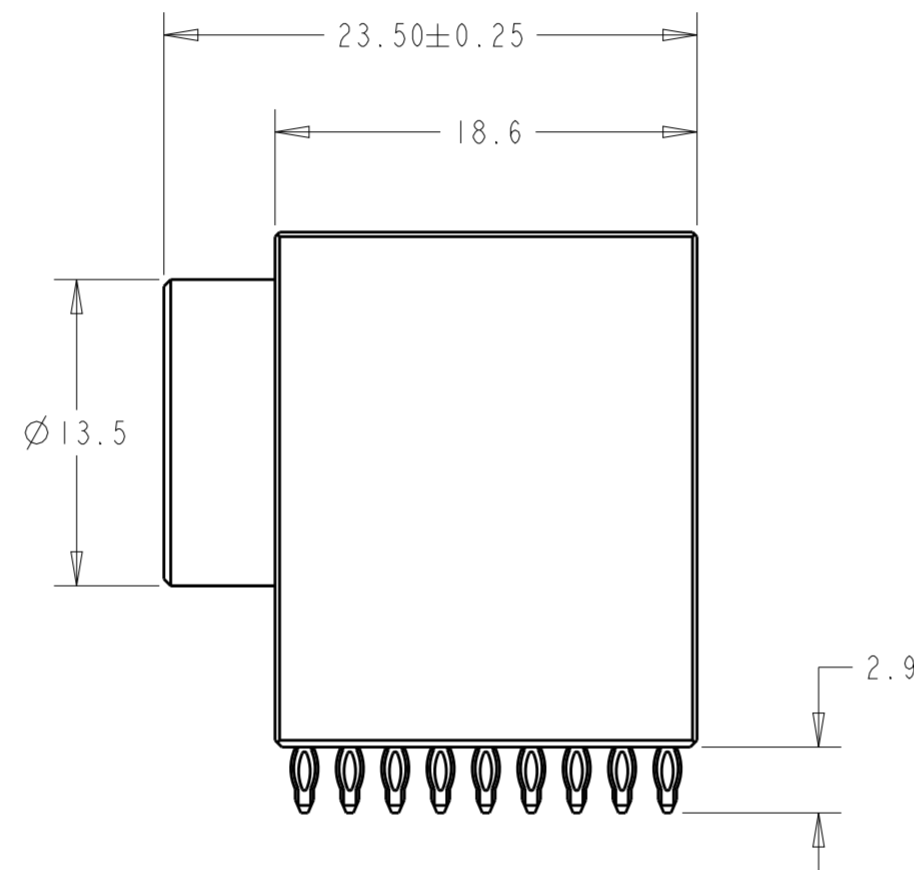
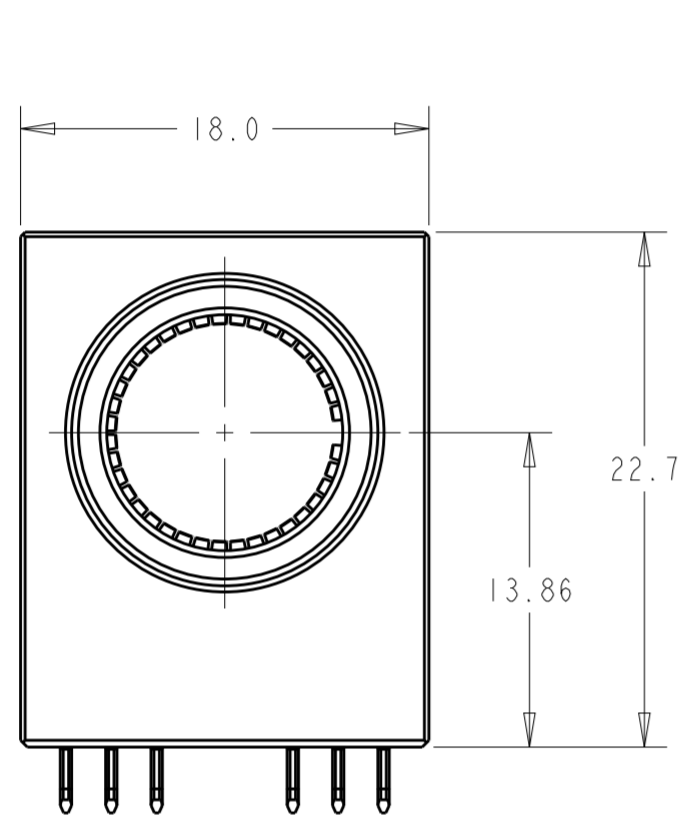


P	LTR	DESCRIPTION	DATE	DWN	APVD
7		RELEASE	23APR2020	AL	SZ
8		REMOVE PRELIMINARY MARK	06MAY2020	AL	SZ

1. MATERIAL: COPPER ALLOY FOR ROUND SOCKET, SQUARE BODY, AND COMPLIANT PINS.
2. FINISH:  
 ROUND SOCKET: 150μIN MIN SILVER OVER 50μIN MIN NICKEL PLATING  
 SQUARE BODY: 150μIN MIN NICKLE PLATING  
 COMPLIANT PINS: 80μIN MIN TIN OVER 50μIN NICKEL PLATING
3. RECOMMENDED PCB HOLE SPEC:  
 DRILLED HOLE:  $\varnothing 1.15 \pm 0.025$ mm  
 FINISHED HOLE:  $\varnothing 1.02 \pm 0.05$ mm  
 COPPER PLATING: 0.03mm MIN PER SURFACE  
 TIN PLATING: 0.008mm MIN PER SURFACE
4. ELECTRICAL PERFORMANCE: 300A CURRENT
5. INSTALLATION: APPROX. 230Lbf TO PRESS ASSEMBLY ONTO BOARD
6. RECOMMENDED TORQUE FOR M3 SCREW: 5Kgf\*cm



RECOMMENDED PCB LAYOUT  
 PCB THICKNESS: 2.00mm MIN

2358715-1 PART NUMBER

THIS DRAWING IS A CONTROLLED DOCUMENT.		DWN ANDY LI 04JUL2019	TE Connectivity											
DIMENSIONS: mm		CHK -												
TOLERANCES UNLESS OTHERWISE SPECIFIED:		APVD SUNY ZHAO 04JUL2019	NAME 10.3MM ICCON BLOCK ROUND SOCKET, RIGHT ANGLE											
<table border="1"> <tr><td>0 PLC</td><td>±</td></tr> <tr><td>1 PLC</td><td>±0.3</td></tr> <tr><td>2 PLC</td><td>±0.2</td></tr> <tr><td>3 PLC</td><td>±0.1</td></tr> <tr><td>4 PLC</td><td>±0.0001</td></tr> </table>		0 PLC	±	1 PLC	±0.3	2 PLC	±0.2	3 PLC	±0.1	4 PLC	±0.0001	PRODUCT SPEC 108-128111	SIZE A2	
0 PLC	±													
1 PLC	±0.3													
2 PLC	±0.2													
3 PLC	±0.1													
4 PLC	±0.0001													
MATERIAL SEE NOTE 1		APPLICATION SPEC 114-128112	CAGE CODE 00779	DRAWING NO C-2358715										
FINISH SEE NOTE 2		WEIGHT -	RESTRICTED TO -											
		CUSTOMER DRAWING	SCALE 3:1	SHEET OF 8										