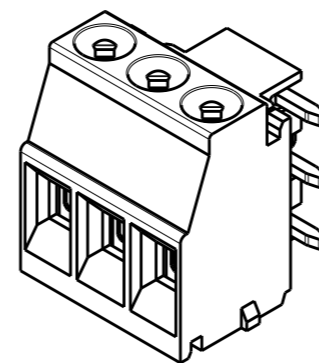


P	LTR	DESCRIPTION	DATE	DWN	APVD
	A	PRODUCTION RELEASE	16JUN2020	SS	PS



1. MATERIALS & FINISH

HOUSING : HIGH TEMPERATURE PA, UL94 V0,
 COLOR -BLACK
 SCREW M3 : COPPER ALLOY, NICKEL PLATED
 CLAMP : COPPER ALLOY, NICKEL PLATED
 CONTACT : COPPER ALLOY, TIN PLATED

2. MECHANICAL

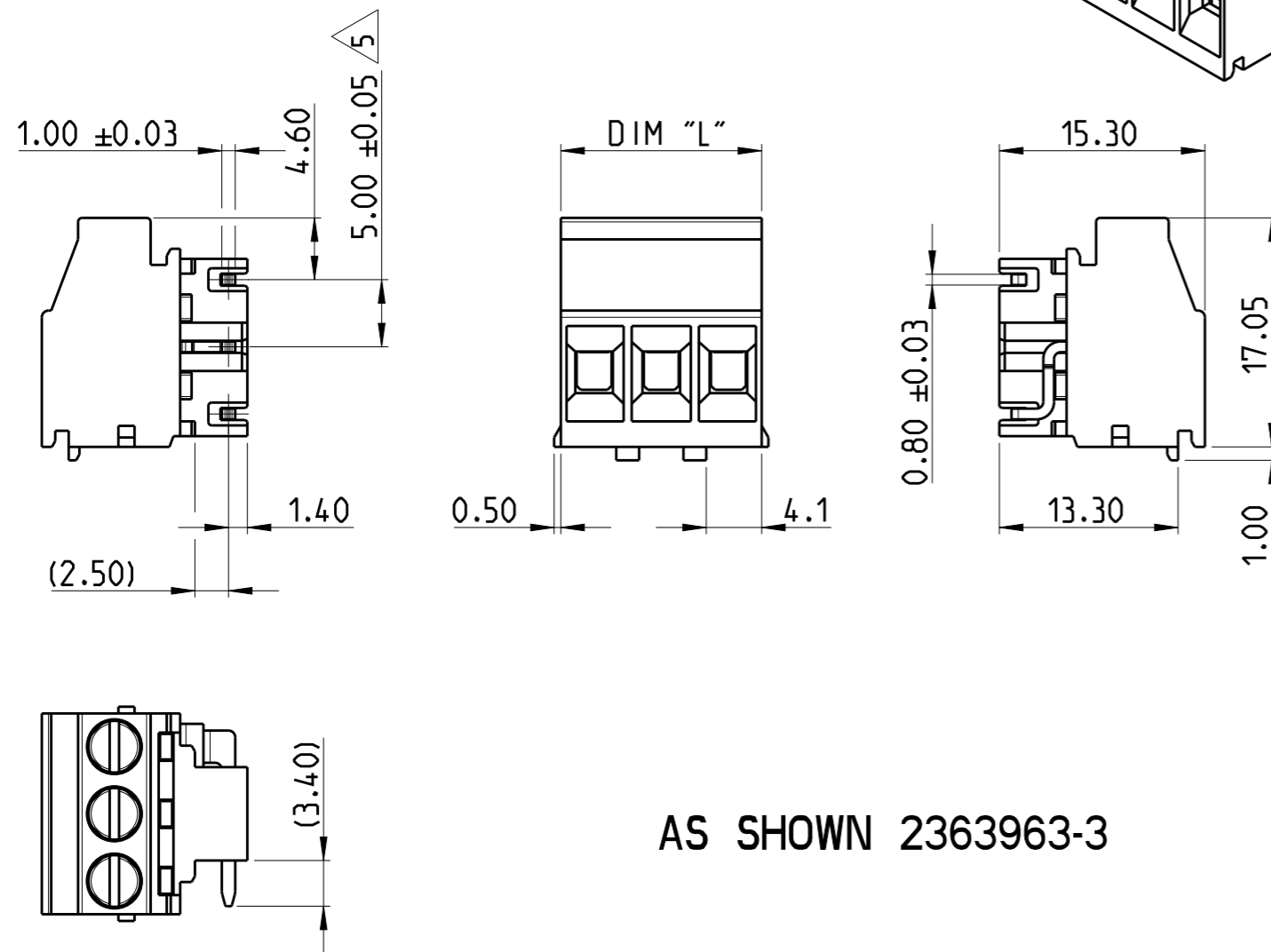
WIRE STRIPPING LENGTH : 5.5-6.5 mm
 MIN. PC BOARD HOLES DIAMETER : 1.4 mm
 MAX. PC BOARD THICKNESS : 2.4 mm
 RECOMMENDED TIGHTENING TORQUE FOR SCREW: 0.5 Nm.

3. ELECTRICAL

WIRE RANGE : 12 - 30 AWG
 MAX. VOLTAGE : 300 V
 MAX CURRENT : 17.5 A
 CONTACT RESISTANCE : <15 m Ohm
 INSULATION RESISTANCE : >1000 M Ohm (500V DC)

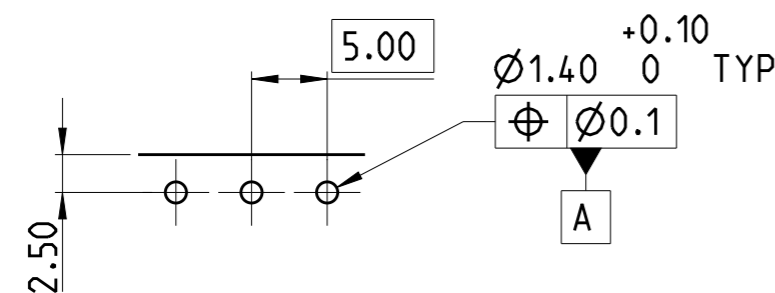
4. OPERATING TEMPERATURE RANGE: -40°C TO +105°C

△ TOLERANCE NOT CUMULATIVE.



AS SHOWN 2363963-3

14.95	3	2363963-3
9.95	2	2363963-2
DIM "L"	POSITION	PART NUMBER



RECOMMENDED PC BOARD LAYOUT

THIS DRAWING IS A CONTROLLED DOCUMENT.		DWN 11OCT2019 RAGHAVENDRA.K		
DIMENSIONS: mm		CHK 14OCT2019 PRASHANTH.S		
TOLERANCES UNLESS OTHERWISE SPECIFIED:		APVD 14OCT2019 PRASHANTH.S	NAME NORMO-ORTHOGONAL RIGHT TERMINAL BLOCK PITCH 5.00mm	
0 PLC ±0.3		PRODUCT SPEC		
1 PLC ±0.25		APPLICATION SPEC		
2 PLC ±0.25		SIZE CAGE CODE DRAWING NO RESTRICTED TO		
3 PLC ±0.25		A3 00779 C-2363963		
4 PLC ±0.25		SCALE 2:1 SHEET 1 OF 1 REV A		
ANGLES ±		CUSTOMER DRAWING		
FINISH SEE NOTES		WEIGHT -		
MATERIAL SEE NOTES		CUSTOMER DRAWING		