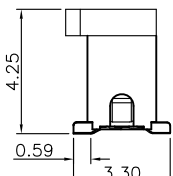
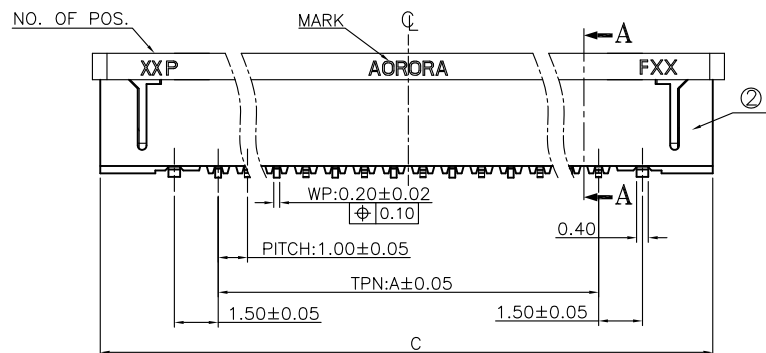
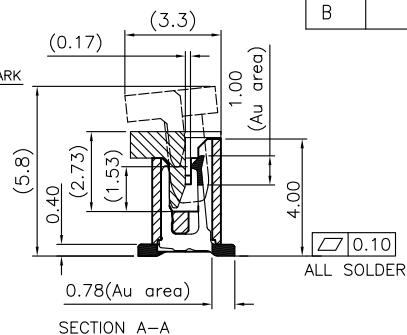
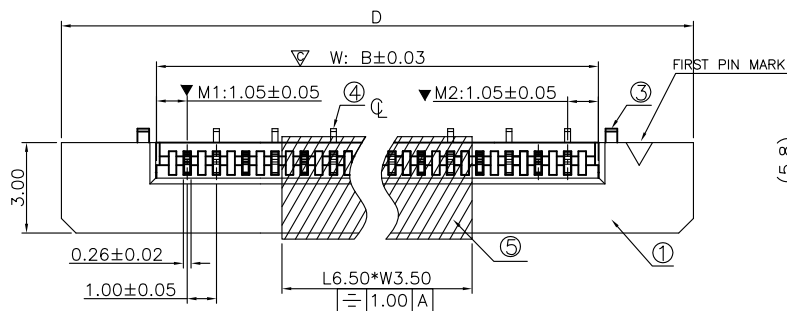


This document is the property of Amphenol Aorora Corporation and is delivered on the express condition that it is not to be disclosed, reproduced or used, in whole or in part, for manufacture or sale by anyone other than Amphenol Aorora Corporation without its prior consent, & that no right is granted to disclose or to use any information in this document.

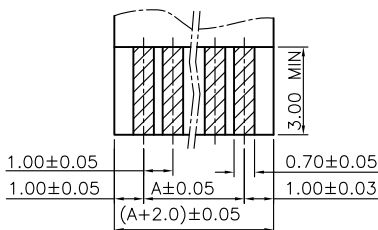
REV.	ECR/ECN No.	DESCRIPTION	DRAWN/DATE	CHECKED/DATE	APPROVED/DATE
A	/	New Version	May 2014-02-25	Rain 2014-02-25	Hongkui.liu 2014-02-25
B	/	Add 30 pin	May 2017-10-23	Rain 2017-10-23	Hongkui.liu 2017-10-23



- 14: WITH MYLAR(A TYPE)
- 2A: WITH MYLAR(B TYPE)
- 36: NO MYLAR(A TYPE)
- 1A: NO MYLAR(B TYPE)

NOTE:  
 1. ALL MATERIAL MUST BE COMPLY WITH SS-00259/RoHS.  
 2. "▼" MARK IS IMPORTANT DIMENSIONS  
 3. "▽" MARK IS CPK AND X-R DIMENSION  
 4. PART NO. LEGEND:  
 F5\*\*-1A7\*1-110\*\*

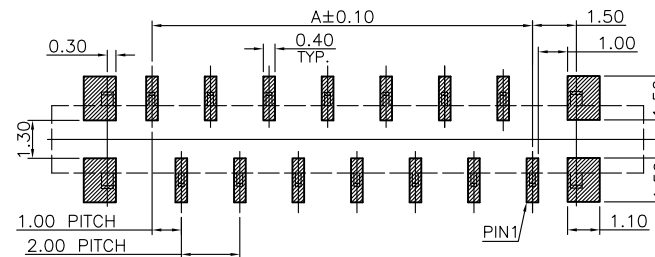
- 7H: PHOSPHOR BRONZE 0.05um MIN Au(Au Area)
- 7A: PHOSPHOR BRONZE MATTER TIN



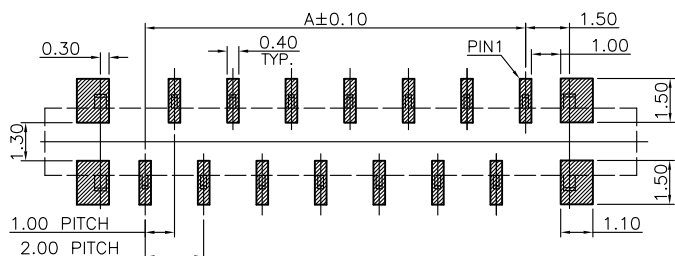
APPLICABLE FFC RECOMMENDED DIM. THICKNESS: 0.30±0.03

**DIMENSION LIST:**

NO. OF POS.	A	B	C	D
15	14.00	16.10	21.80	22.60
16	15.00	17.10	22.80	23.60
17	16.00	18.10	23.80	24.60
18	17.00	19.10	24.80	25.60
19	18.00	20.10	25.80	26.60
20	19.00	21.10	26.80	27.60
21	20.00	22.10	27.80	28.60
22	21.00	23.10	28.80	29.60
23	22.00	24.10	29.80	30.60
24	23.00	25.10	30.80	31.60
25	24.00	26.10	31.80	32.60
26	25.00	27.10	32.80	33.60
27	26.00	28.10	33.80	34.60
28	27.00	29.10	34.80	35.60
29	28.00	30.10	35.80	36.60
30	29.00	31.10	36.80	37.60



P.C.B LAYOUT B TYPE (REFERENCE) TOL: ±0.05

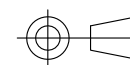


P.C.B LAYOUT A TYPE (REFERENCE) TOL: ±0.05

UNLESS OTHERWISE SPECIFIED TOLERANCES

X.	±0.50	X. °	± 1'
XX	±0.30	XX °	± 0.5'
XXX	±0.20	XXX °	± 0.5'
XXX	±0.10	XXX °	± 1'

ANGLE OF PROJECTION



Customer Drw

DRAWN DATE May 2017-10-23

DESIGN DATE May 2017-10-23

CHECKED DATE Rain 2017-10-23

APPROVED DATE Hongkui.liu 2017-10-23



Amphenol Aorora Technology (Huizhou) Co.,Ltd

TITLE: FPC P1.0 15-30PIN VERTICAL SMT TYPE

SIZE DWG NO. A4 A-S0155

SCALE 1:1 UNIT: mm SHEET 1 OF 1

P/N: F5\*\*-1A7H1-110\*\*

MATERIAL SEE NOTES

FINISHED SEE NOTES