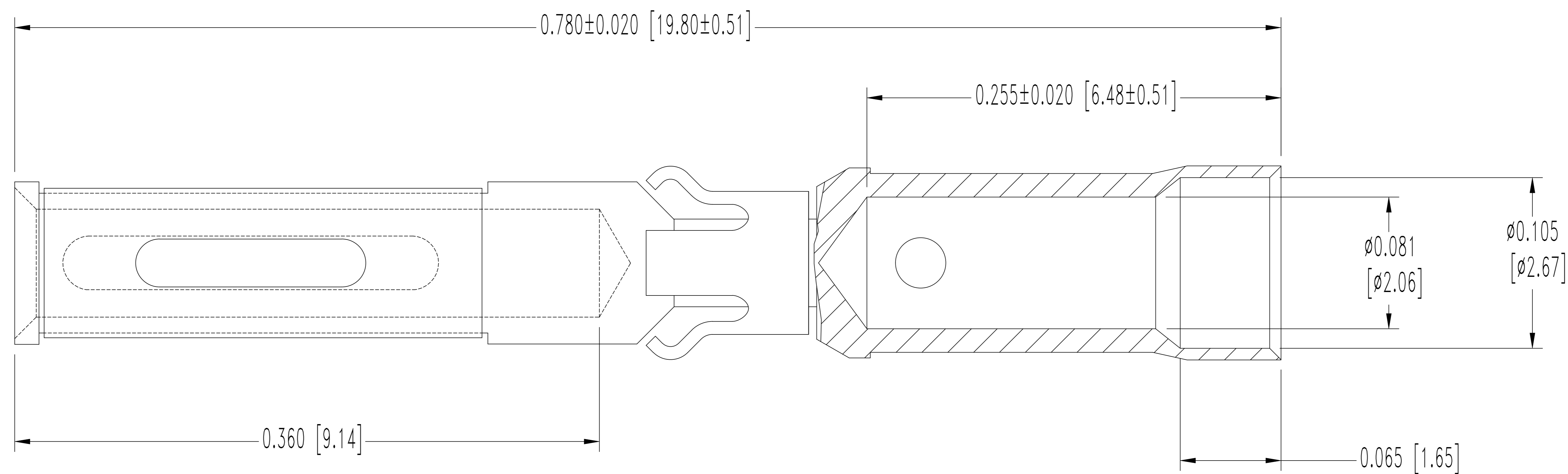


SK6412

THIS DRAWING CONTAINS INFORMATION PROPRIETARY TO POSITRONIC AND ITS SUBSIDIARIES. POSITRONIC BELIEVES THE DATA ON THIS DRAWING TO BE RELIABLE, SINCE THE TECHNICAL INFORMATION IS GIVEN FREE OF CHARGE, THE USER EMPLOYS SUCH INFORMATION AT HIS OWN DISCRETION AND RISK. POSITRONIC ASSUMES NO RESPONSIBILITY FOR RESULTS OBTAINED OR DAMAGES INCURRED FROM USE OF SUCH INFORMATION IN WHOLE OR IN PART.

DATE	REV	REVISION RECORD	APP	DR	CK
8-3-05	NC	ECO 24444	RCW	YK	TK
2-14-06	A	ECO 25503			ME
2-17-18	B	ECO 58558	RK	AB	GJ



NOTES:

- MATERIAL AND FINISHES:
CONTACT: COPPER ALLOY, GOLD FLASH OVER NICKEL PLATE.
RETENTION RING: BERYLLIUM COPPER, GOLD FLASH OVER NICKEL PLATE.
SPRING CLIP: BERYLLIUM COPPER, GOLD FLASH OVER NICKEL PLATE.
- DETAILED PRODUCT, MECHANICAL AND ELECTRICAL INFORMATION IS AVAILABLE IN THE LATEST COMPACT POWER PRODUCT PUBLICATION AT CONNECTPOSITRONIC.COM.
- THIS MOS ALLOWS FOR FEMALE CONTACTS TO HAVE AN OVERALL LENGTH OF 0.780 [19.81] AND A MATING DIAMETER DEPTH OF 0.360 [9.14].
- CONTACTS ARE COMPLAINT TO THE CURRENT ROHS DIRECTIVE.
- DIMENSIONS ARE IN INCHES [MILLIMETERS].

 POSITRONIC INDUSTRIES INC. SPRINGFIELD, MISSOURI 65801		SCALE	DRAWN BY
		N.T.S.	YK
DECIMAL TOL.	PCI SERIES	APPROVED BY	RCW
± 0.015 [0.38]	TITLE	FC114N2/AA-1565.0	
ANGULAR TOL.	DATE	DRAWING NUMBER	REV.
±	8-3-05	SK6412	B