

6

5

4

3

2

1

D

D

C

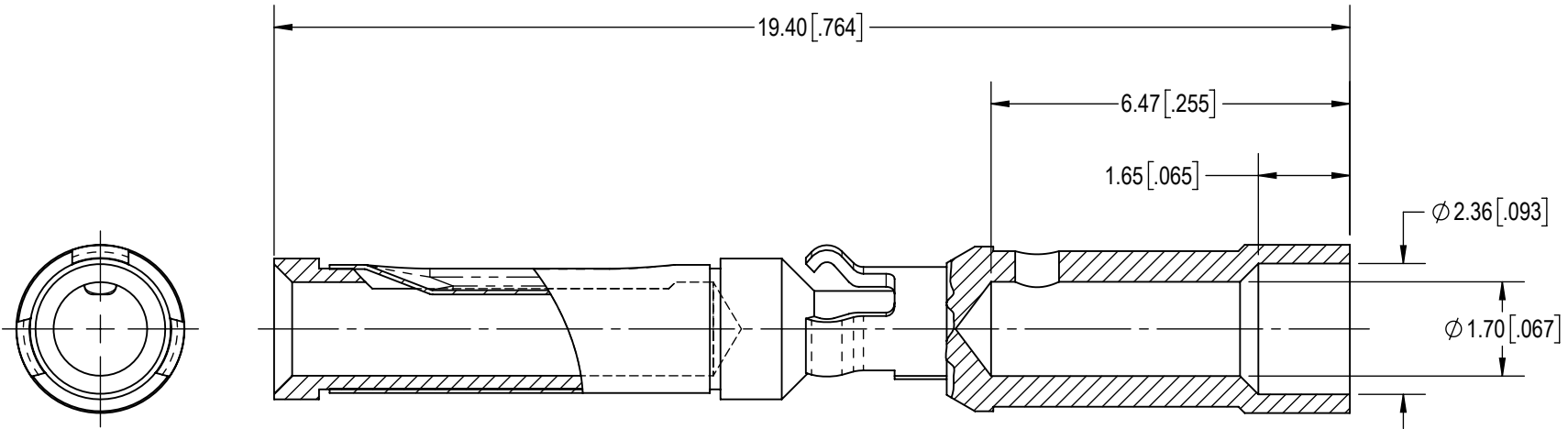
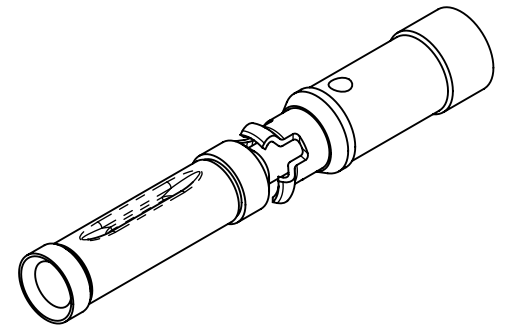
C

B


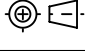
B

A

A

**NOTES:**

- MATERIAL AND FINISHES:  
CONTACT: PRECISION MACHINED COPPER ALLOY, GOLD FLASH OVER NICKEL PLATE.  
SPRING CLIP: BERYLLIUM COPPER, GOLD FLASH OVER NICKEL PLATE.  
RETAINER: BERYLLIUM COPPER, NICKEL PLATE.
- DETAILED PRODUCT, MECHANICAL AND ELECTRICAL INFORMATION IS AVAILABLE IN THE STANDARD DENSITY RECTANGULAR PRODUCT PUBLICATION AT [CONNECTPOSITRONIC.COM](http://CONNECTPOSITRONIC.COM).
- CRIMPING TOOL INFORMATION IS AVAILABLE AT [WWW.CONNECTPOSITRONIC.COM/CrimpToolCrosslist](http://WWW.CONNECTPOSITRONIC.COM/CrimpToolCrosslist).
- CONTACT IS COMPLIANT TO THE CURRENT RoHS DIRECTIVE.

BY	SB	CHK	EB	3RD ANGLE	POSITRONIC BELIEVES THE DATA ON THE DRAWING TO BE RELIABLE. THE USER EMPLOYS SUCH INFORMATION AT HIS OWN DISCRETION AND RISK. POSITRONIC ASSUMES NO RESPONSIBILITY FOR RESULTS OBTAINED OR DAMAGES INCURRED FROM USE OF SUCH INFORMATION IN WHOLE OR IN PART.	 <b>Positronic®</b> CONNECTPOSITRONIC.COM
APR	PA	RELEASED DATE:	2020-07-17			
TOLERANCES				SCALE	PART NUMBER	
±0.03mm [0.01 INCHES] FOR MALE CONTACT MATING DIAMETERS ±0.08mm [0.003 INCHES] FOR CONTACT TERMINATION DIAMETERS ±0.13mm [0.005 INCHES] FOR ALL OTHER DIAMETERS ±0.38mm [0.015 INCHES] FOR ALL OTHER DIMENSIONS ±5° FOR ALL ANGLES DIMENSION ARE IN MILLIMETERS [INCHES]				NTS	FC116N2/AA	
				TITLE	SERIES	
				FC116N2/AA	GMCT	
CREATED ON:				SHEET	REV	
2020-07-06				SHEET 1 OF 1	A	

6

5

4

3

2

1