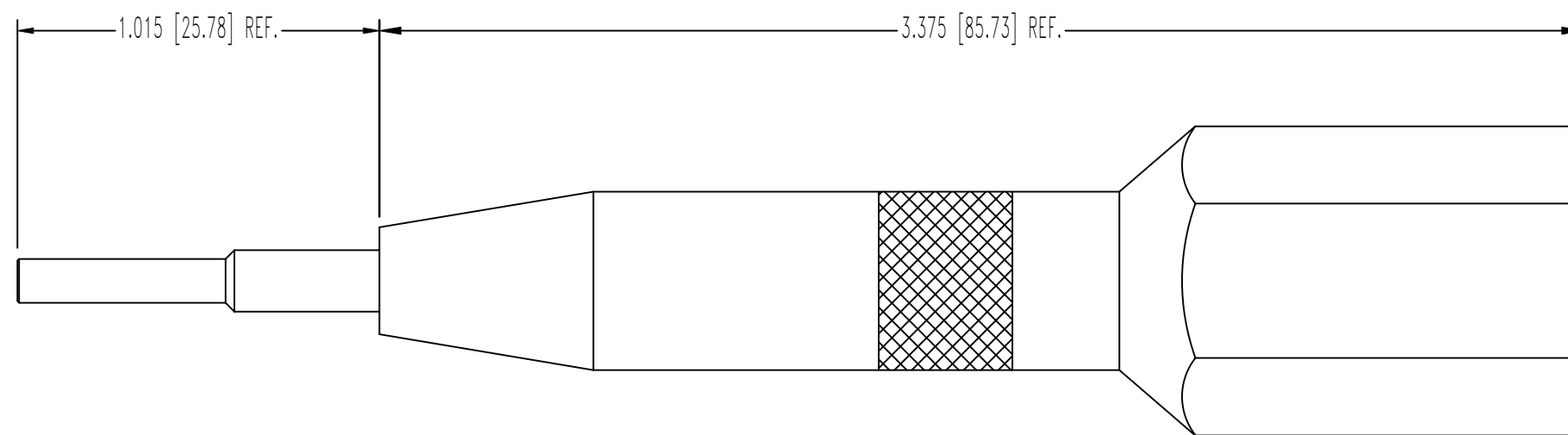
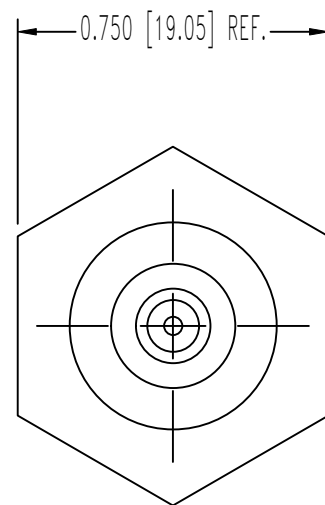


SK13825

THIS DRAWING CONTAINS INFORMATION PROPRIETARY TO POSITRONIC AND ITS SUBSIDIARIES. POSITRONIC BELIEVES THE DATA ON THIS DRAWING TO BE RELIABLE, SINCE THE TECHNICAL INFORMATION IS GIVEN FREE OF CHARGE, THE USER EMPLOYS SUCH INFORMATION AT HIS OWN DISCRETION AND RISK. POSITRONIC ASSUMES NO RESPONSIBILITY FOR RESULTS OBTAINED OR DAMAGES INCURRED FROM USE OF SUCH INFORMATION IN WHOLE OR IN PART.

DATE	REV	REVISION RECORD	APP	DR	CK
3-01-12	NC	ECO 35296	COLE	BS	COLE



NOTES:

1. DIMENSIONS ARE IN INCHES [MILLIMETERS].

 POSITRONIC INDUSTRIES INC. www.connectpositronic.com		FSCM 28198	
		SCALE	DRAWN BY
DECIMAL TOL. ± 0.015 [0.38]		N.T.S.	B SHELEDDY
TITLE GMCT SERIES		APPROVED BY COLE	
9081-0-0-0			
DATE 3-01-12		DRAWING NUMBER SK13825	
ANGULAR TOL. $\pm 5^\circ$		REV. NC	