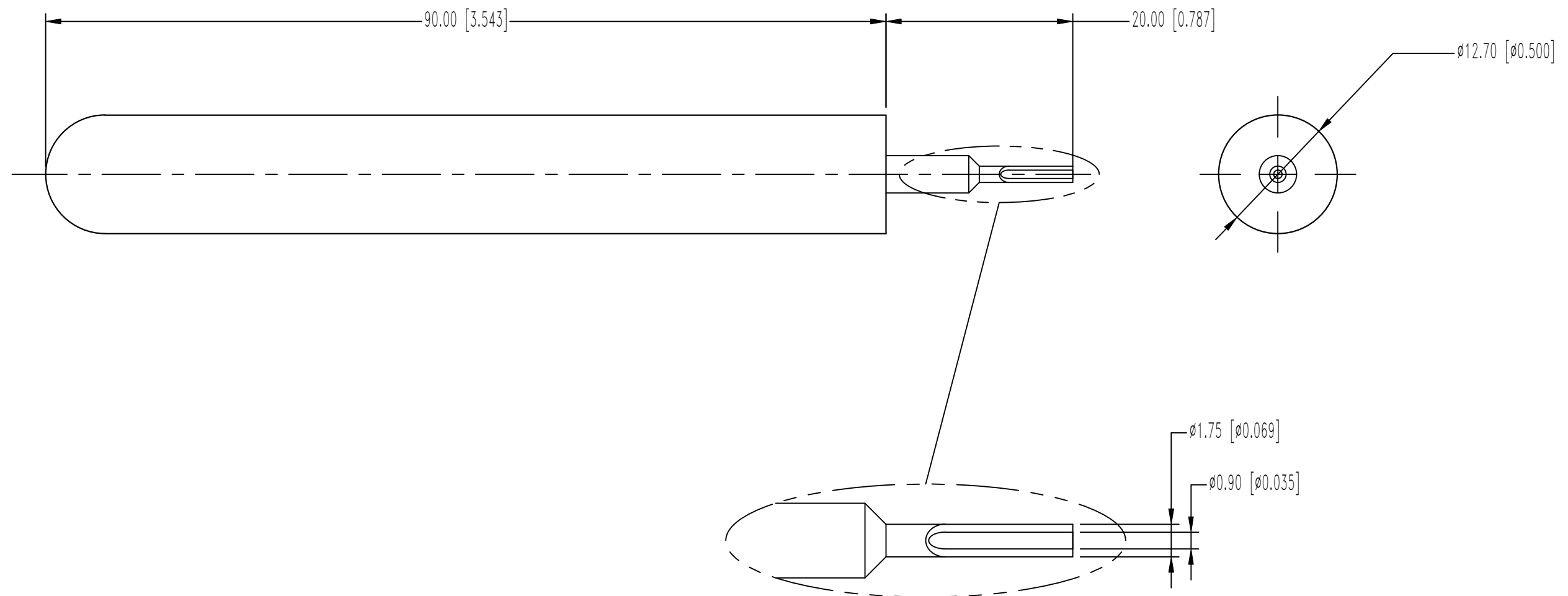


SK14696

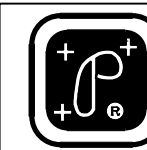
THIS DRAWING CONTAINS INFORMATION PROPRIETARY TO POSITRONIC AND ITS SUBSIDIARIES. POSITRONIC BELIEVES THE DATA ON THIS DRAWING TO BE RELIABLE, SINCE THE TECHNICAL INFORMATION IS GIVEN FREE OF CHARGE, THE USER EMPLOYS SUCH INFORMATION AT HIS OWN DISCRETION AND RISK. POSITRONIC ASSUMES NO RESPONSIBILITY FOR RESULTS OBTAINED OR DAMAGES INCURRED FROM USE OF SUCH INFORMATION IN WHOLE OR IN PART.

DATE	REV	REVISION RECORD	APP	DR	CK
12-10-12	NC	ECO 37979	COLE	BS	COLE



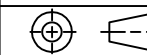
NOTES:

1. DIMENSIONS ARE IN MILLIMETERS [INCHES].



POSITRONIC INDUSTRIES INC.
www.connectpositronic.com

FSCM 28198



DECIMAL TOL.
 ± 0.015 [0.38]

ANGULAR TOL.
 $\pm 5^\circ$

SGMC SERIES

SCALE
N.T.S.

DRAWN BY
B SHELEDDY
APPROVED BY
COLE

TITLE
9099-7-0-0

DATE
12-10-12

DRAWING NUMBER
SK14696

REV.
NC