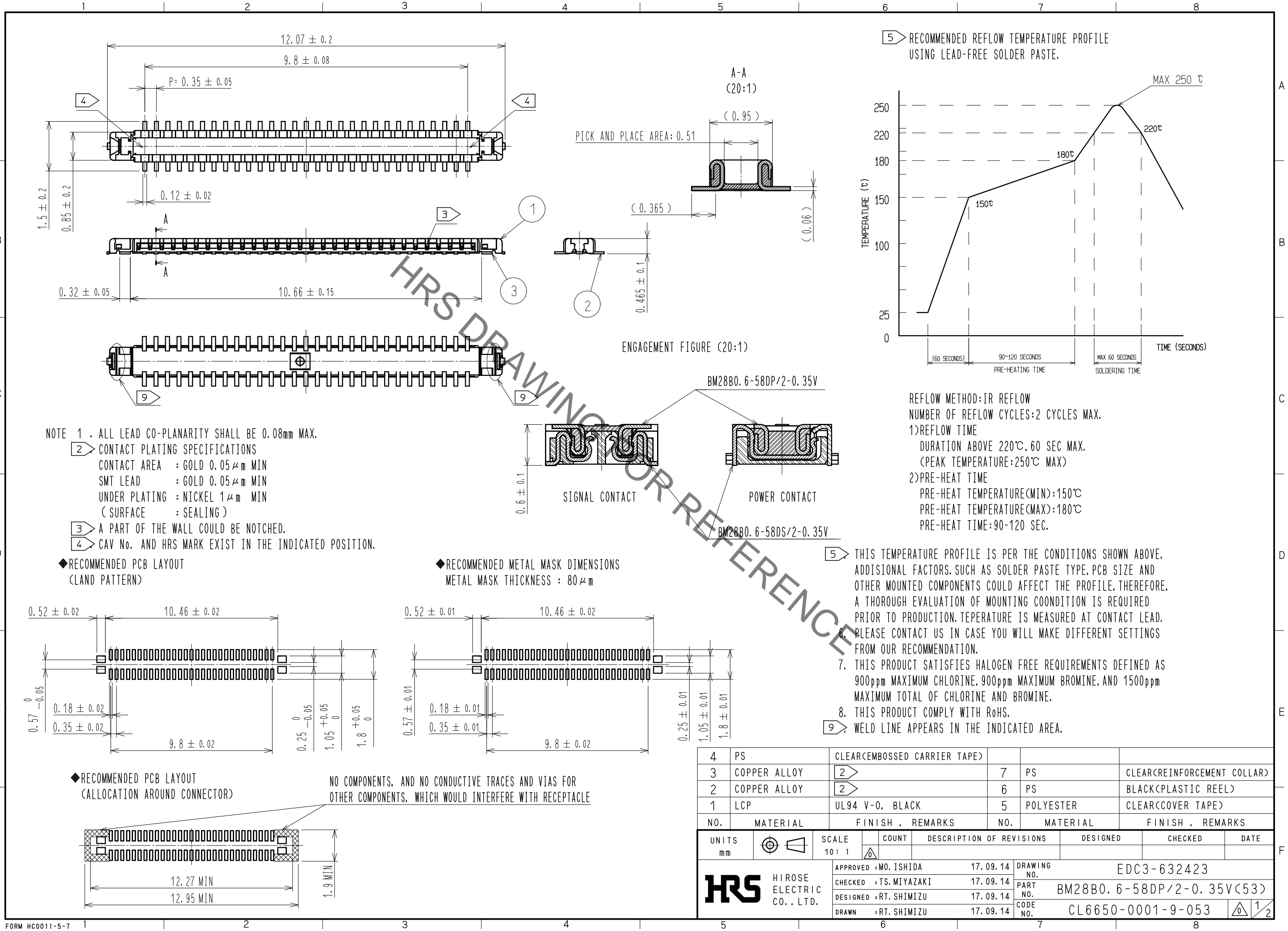


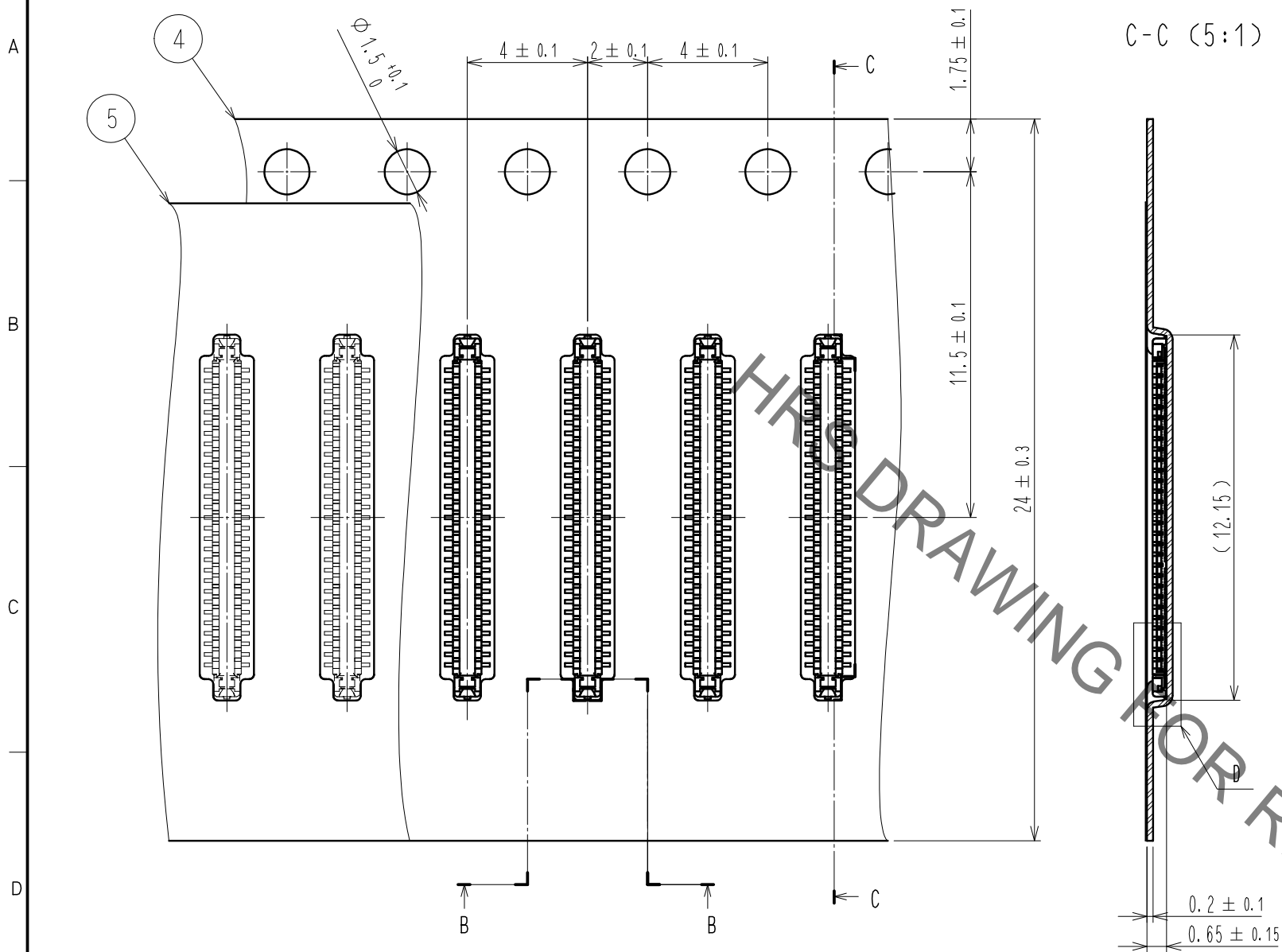
Aug.1.2020 Copyright 2020 HIROSE ELECTRIC CO., LTD. All Rights Reserved.  
In case of consideration for using Automotive equipment / device which demand high reliability, kindly contact our sales window correspondents.



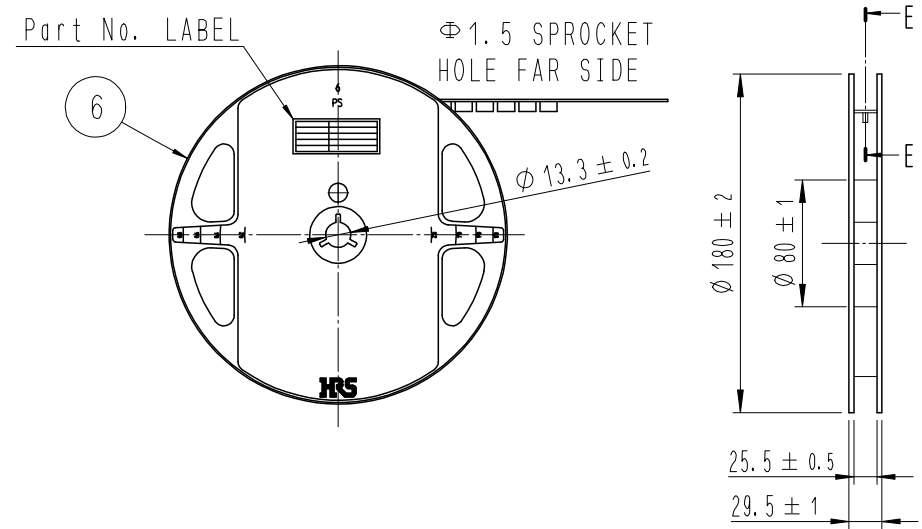
4	PS	CLEAR(EMBOSSED CARRIER TAPE)			
3	COPPER ALLOY	2	7	PS	CLEAR(REINFORCEMENT COLLAR)
2	COPPER ALLOY	2	6	PS	BLACK(PLASTIC REEL)
1	LCP	UL94 V-0, BLACK	5	POLYESTER	CLEAR(COVER TAPE)
NO.	MATERIAL	FINISH . REMARKS	NO.	MATERIAL	FINISH . REMARKS
UNITS mm		SCALE 10:1	COUNT	DESCRIPTION OF REVISIONS	DESIGNED
HRS		HIROSE ELECTRIC CO., LTD.	APPROVED : MO. ISHIDA	17.09.14	DESIGNED
			CHECKED : TS. MIYAZAKI	17.09.14	CHECKED
			DESIGNED : RT. SHIMIZU	17.09.14	DATE
			DRAWN : RT. SHIMIZU	17.09.14	
			DRAWING NO.	EDC3-632423	
			PART NO.	BM28B0. 6-58DP/2-0.35V(53)	
			CODE NO.	CL6650-0001-9-053	

Aug.1.2020 Copyright 2020 HIROSE ELECTRIC CO., LTD. All Rights Reserved.  
In case of consideration for using Automotive equipment / device which demand high reliability, kindly contact our sales window correspondents.

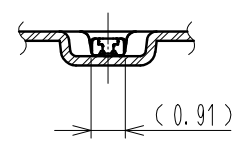
# EMBOSSED CARRIER TAPE PACKAGING (5:1)



## STYLE AND DIMENSION OF REEL (FREE)

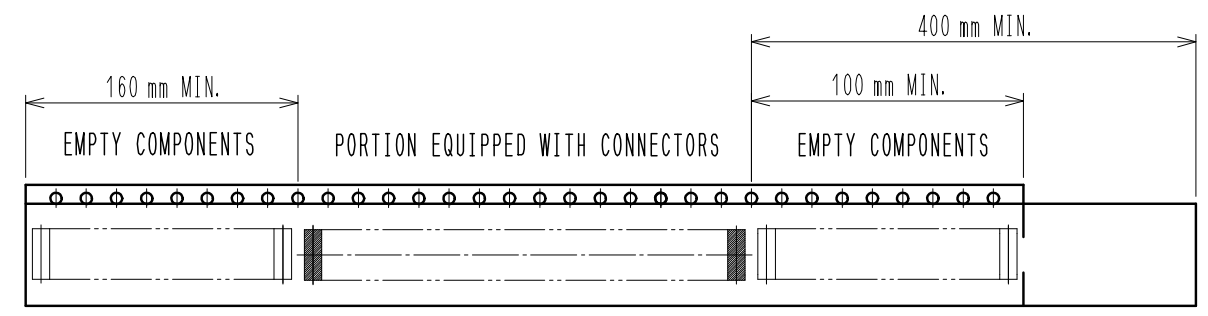
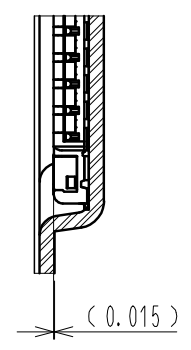


### B-B (5:1)



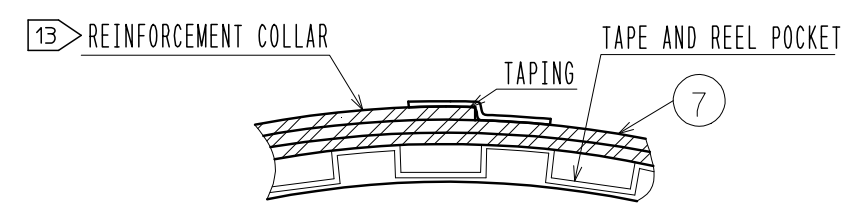
DIRECTION OF UNREELING  $\rightarrow$

### D (10:1)



12 TAPING (FREE)

### E-E (FREE)



### DETAIL OF PART NO. LABEL

製造年月日	** ** *	DATA OF MANUFACTURED
製品コード	CL6650-****-**	CODE NO.
製品名	BM28B0.6-**	PART NO.
数量	1,000	QUANTITY
納入者	ヒロセ電機(株)	SUPPLIER

- 10. PER REEL 1,000 CONNECTORS.
- 11. THE DIMENSIONS IN PARENTHESES ARE FOR REFERENCE.
- 12. REFER TO JIS C 0806. IEC 60286-3(PACKAGING OF COMPONENTS FOR AUTOMATIC HANDLING)
- 13. AFTER PACKAGING, ROLL 2 METERS OF THE REINFORCEMENT COLLAR TO OUTER CIRCUMFERENCE OF TAPE AND REEL POCKET. AND TAPE DOWN AT THE END THE COLLAR.

<b>HRS</b>	DRAWING NO.	EDC3-632423
	PART NO.	BM28B0.6-58DP/2-0.35V(53)
	CODE NO.	CL6650-0001-9-053
		$\triangle$ 2/2