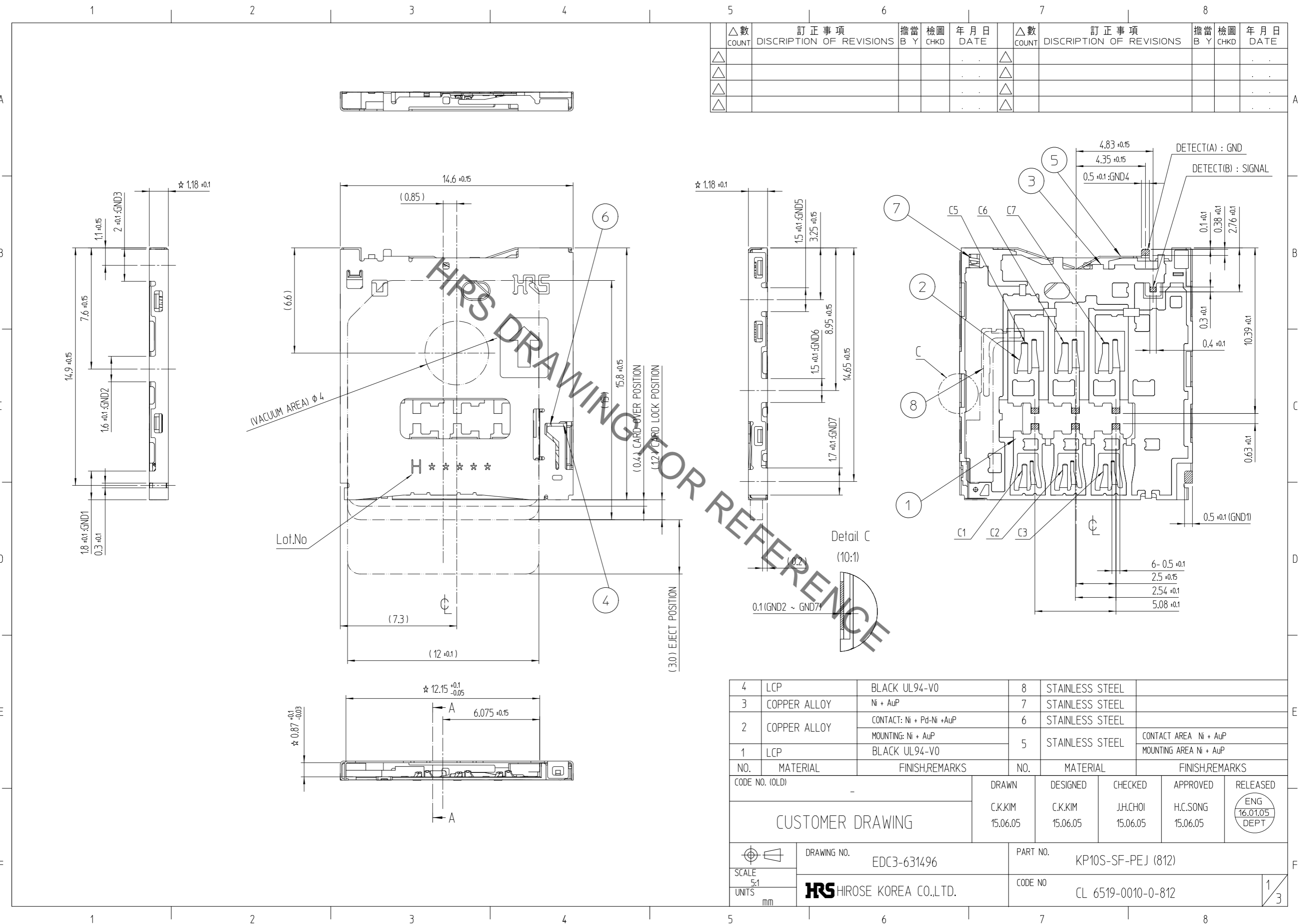


Aug.1.2020 Copyright 2020 HIROSE ELECTRIC CO., LTD. All Rights Reserved.
In case of consideration for using Automotive equipment / device which demand high reliability, kindly contact our sales window correspondents.



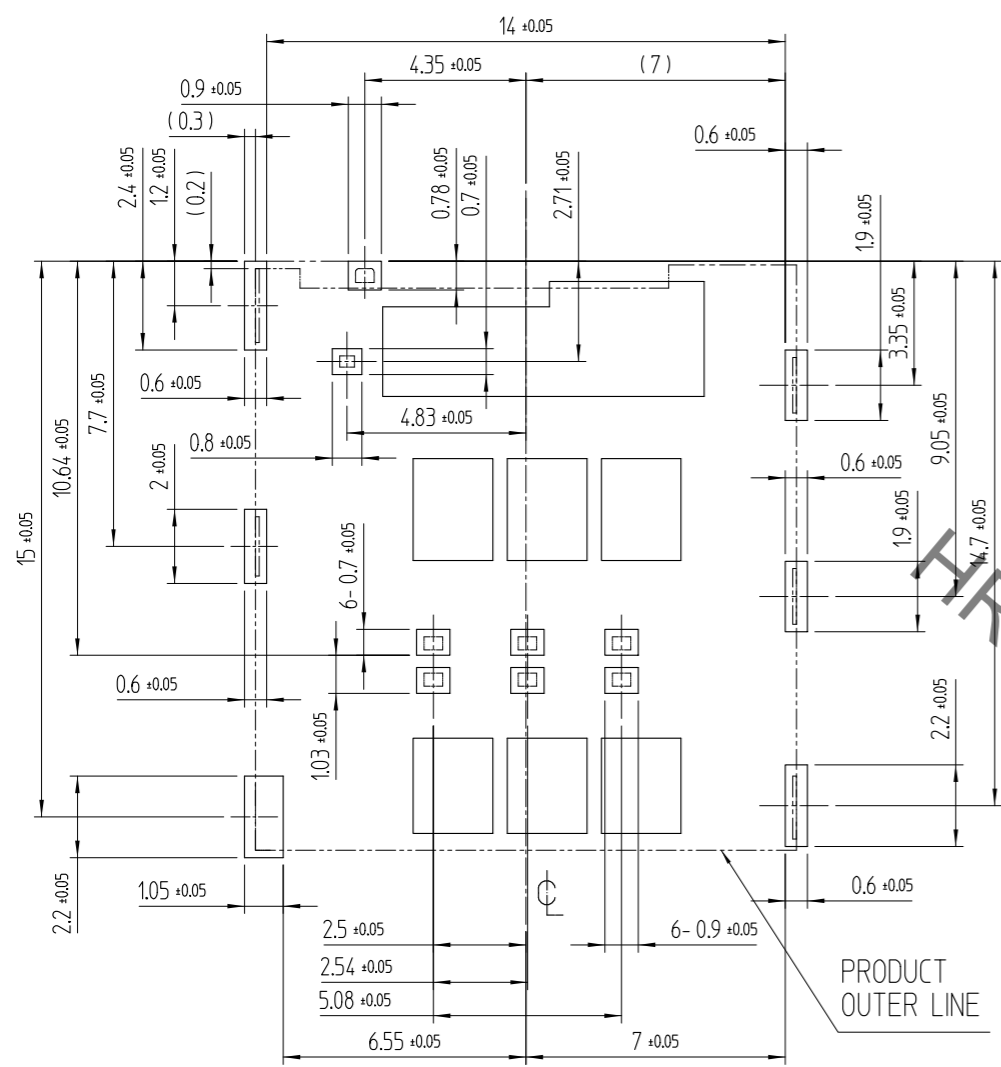
△數 COUNT	訂正事項 DISCRPTION OF REVISIONS	擔當 B Y	檢圖 CHKD	年月日 DATE	△數 COUNT	訂正事項 DISCRPTION OF REVISIONS	擔當 B Y	檢圖 CHKD	年月日 DATE
△					△				
△					△				
△					△				
△					△				

4	LCP	BLACK UL94-V0	8	STAINLESS STEEL	
3	COPPER ALLOY	Ni + AuP	7	STAINLESS STEEL	
2	COPPER ALLOY	CONTACT: Ni + Pd-Ni + AuP MOUNTING: Ni + AuP	6	STAINLESS STEEL	
1	LCP	BLACK UL94-V0	5	STAINLESS STEEL	CONTACT AREA Ni + AuP MOUNTING AREA Ni + AuP
NO.	MATERIAL	FINISH,REMARKS	NO.	MATERIAL	FINISH,REMARKS

CODE NO. (OLD)		DRAWN	DESIGNED	CHECKED	APPROVED	RELEASED
		C.K.KIM 15.06.05	C.K.KIM 15.06.05	J.H.CHOI 15.06.05	H.C.SONG 15.06.05	ENG 16.01.05 DEPT

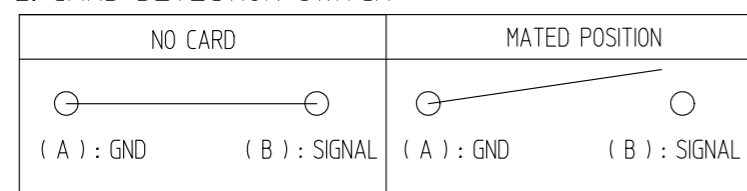
SCALE 5:1 UNITS mm	DRAWING NO. EDC3-631496	PART NO. KP10S-SF-PEJ (812)
	HRS HIROSE KOREA CO.,LTD.	CODE NO. CL 6519-0010-0-812

Aug.1.2020 Copyright 2020 HIROSE ELECTRIC CO., LTD. All Rights Reserved.
In case of consideration for using Automotive equipment / device which demand high reliability, kindly contact our sales window correspondents.

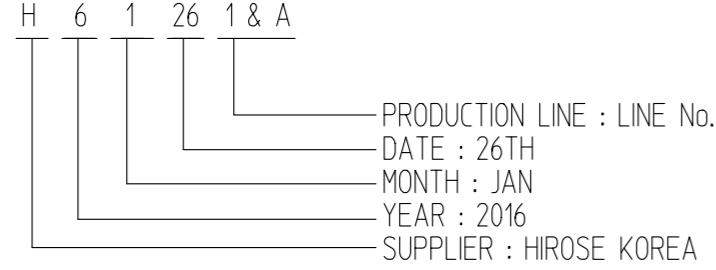


RECOMMEND P.C.B LAYOUT

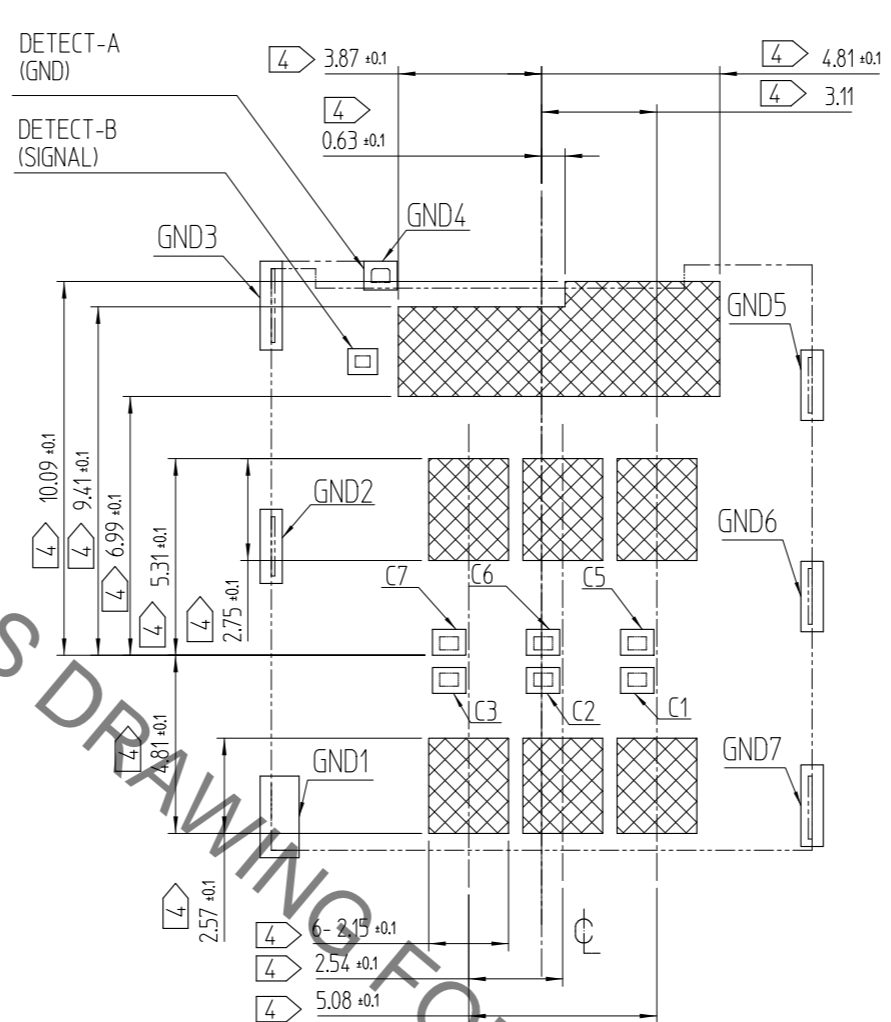
NOTE 1. ☆ MARK IS C.T.F (CRITICAL TO FACTOR/FUNCTION) POINT
2. CARD DETECTION SWITCH



- ③ CO-PLANARITY SHALL BE 0.1mm MAX
- ④ PATTERN PROHIBITION AREA
WHEN YOU CONFIGURE A CIRCUIT BETWEEN THE PATTERN BE CAREFUL
- ⑤ PACKING TYPE :TAPE AND REEL . 1,500PCS PER 1REEL
- ⑥ MANUFACTURING DATE SYSTEM



PRODUCTION LINE : LINE No.
DATE : 26TH
MONTH : JAN
YEAR : 2016
SUPPLIER : HIROSE KOREA



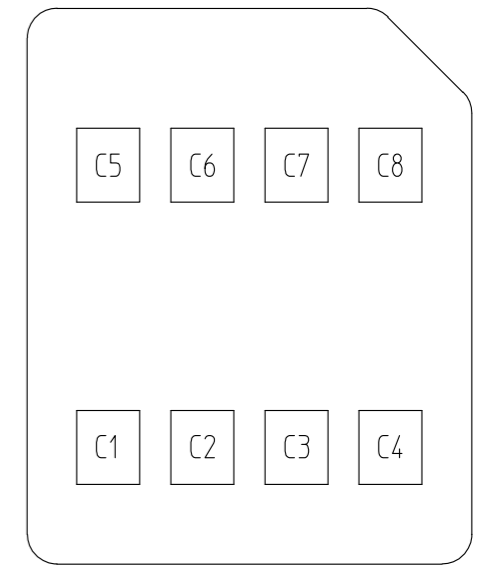
PATTERN PROHIBITION AREA (MOUNTING SIDE)

PIN No.	Name
C1	Vcc
C2	RST
C3	CLK
C4	Reserved
C5	GND
C6	Vpp
C7	I/O
C8	Reserved

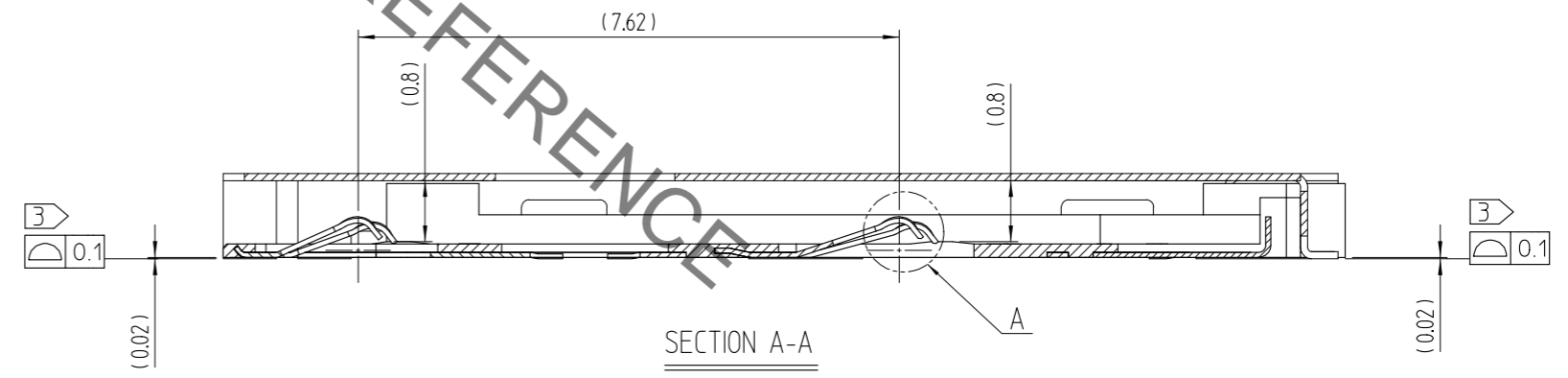
MICRO SIM CARD ASSIGNMENT

Detect A	GND
Detect B	Signal

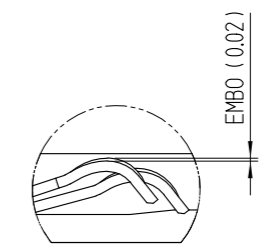
DETECT SWITCH



MICRO SIM CARD PAD LAY OUT



SECTION A-A



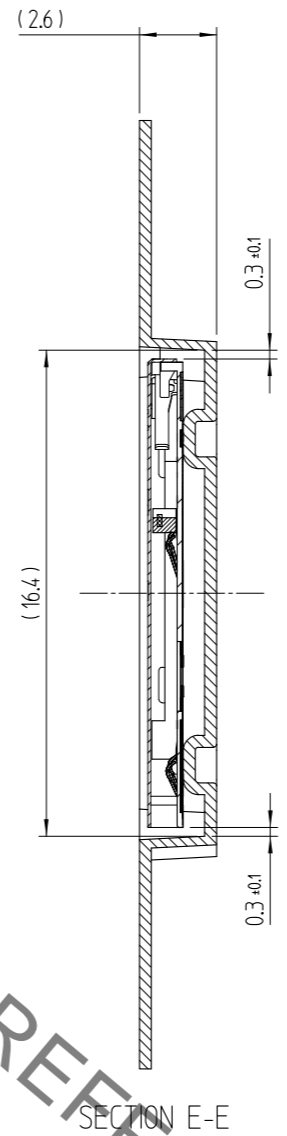
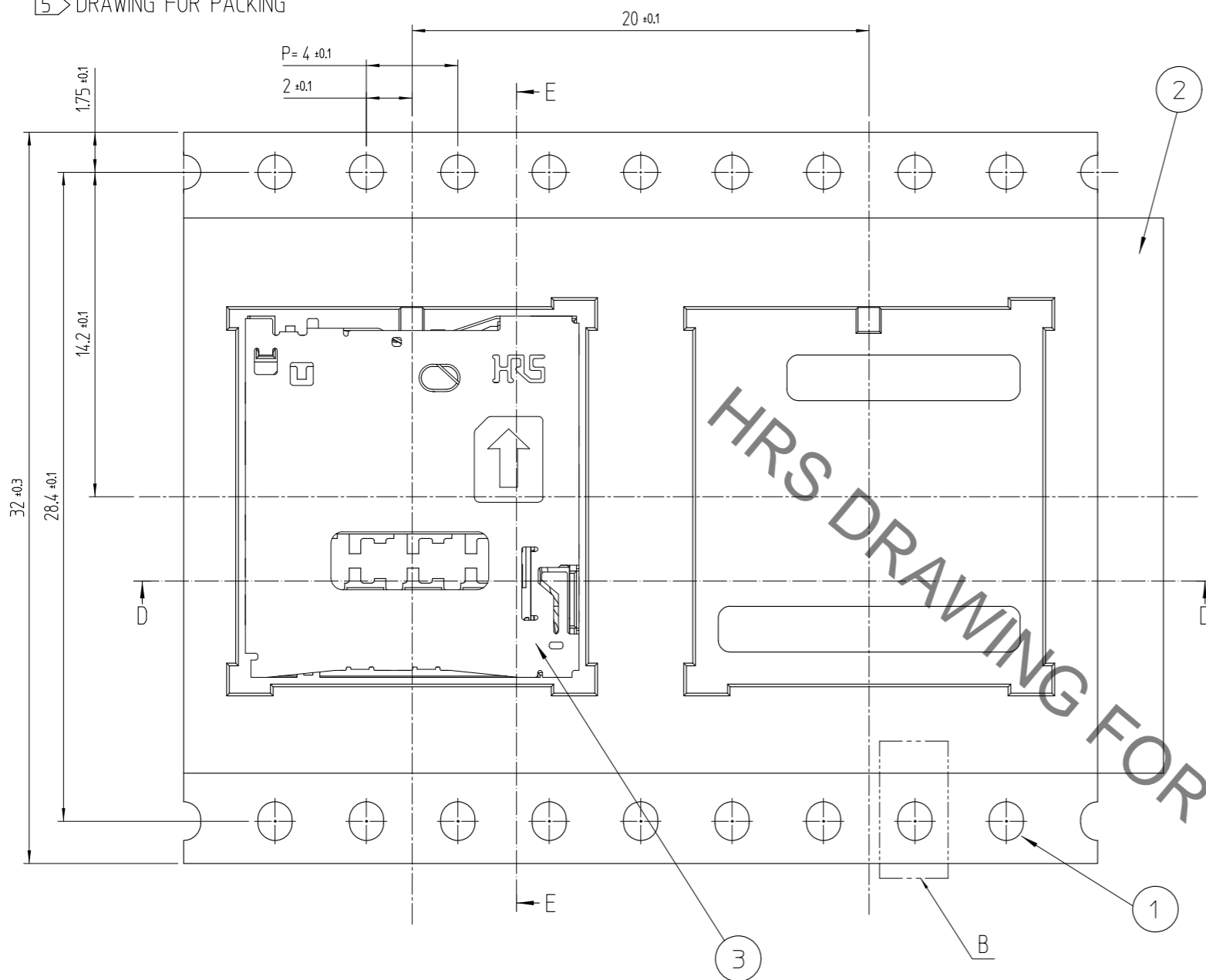
Detail A
(20:1)

⑥ TABLE.1

YEAR	MONTH	DATE							
YEAR	SYMBOL	MONTH	SYMBOL	DATE	SYMBOL	DATE	SYMBOL	DATE	SYMBOL
2013	3	Jan.	1	1	1	11	11	21	21
2014	4	Feb.	2	2	2	12	12	22	22
2015	5	Mar.	3	3	3	13	13	23	23
2016	6	Apr.	4	4	4	14	14	24	24
2017	7	May.	5	5	5	15	15	25	25
2018	8	Jun.	6	6	6	16	16	26	26
2019	9	Jul.	7	7	7	17	17	27	27
2020	9	Aug.	8	8	8	18	18	28	28
2021	1	Sep.	9	9	9	19	19	29	29
2022	2	Oct.	A	10	10	20	20	30	30
		Nov.	B					31	31
		Dec.	C						

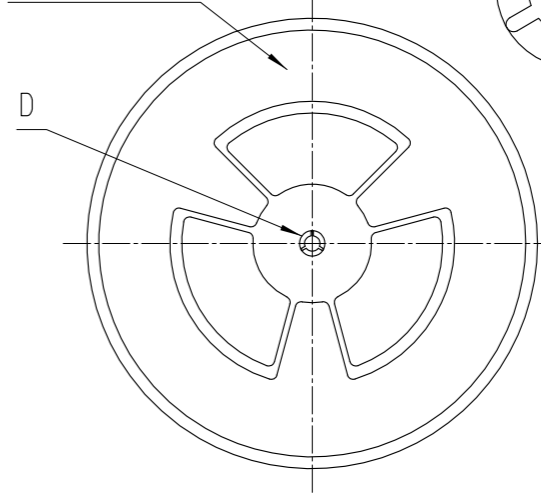
Aug.1.2020 Copyright 2020 HIROSE ELECTRIC CO., LTD. All Rights Reserved.
 In case of consideration for using Automotive equipment / device which demand high reliability, kindly contact our sales window correspondents.

5 DRAWING FOR PACKING

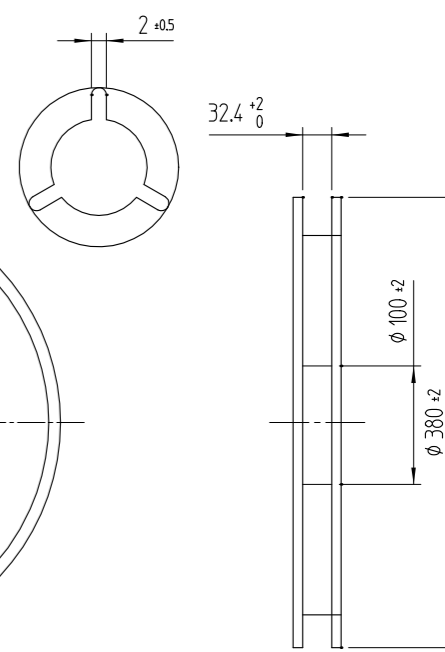


DETAIL OF REEL

REVISED CONFIGURATION

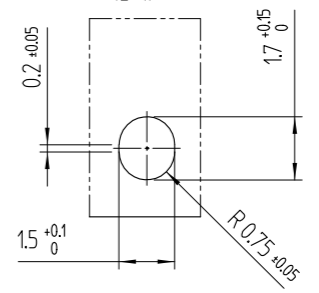


Detail D

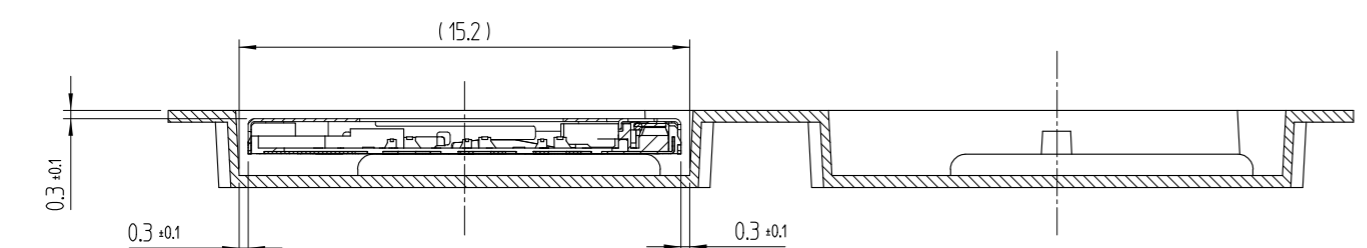


Detail B

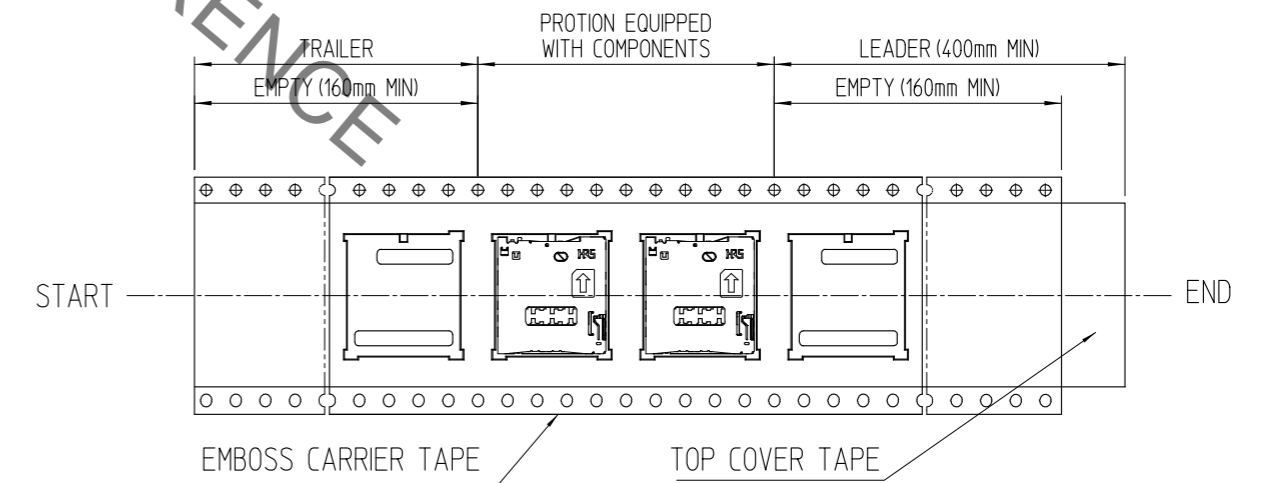
(5:1)



UNREELING DIRECTION



SECTION D-D



3	(CONNECTOR)	
2	POLYESTER	
1	PS	
No.	MATERIAL	
HRS HIROSE KOREA CO.,LTD.		圖番 DRAWING NO. EDC3-631496

3/3