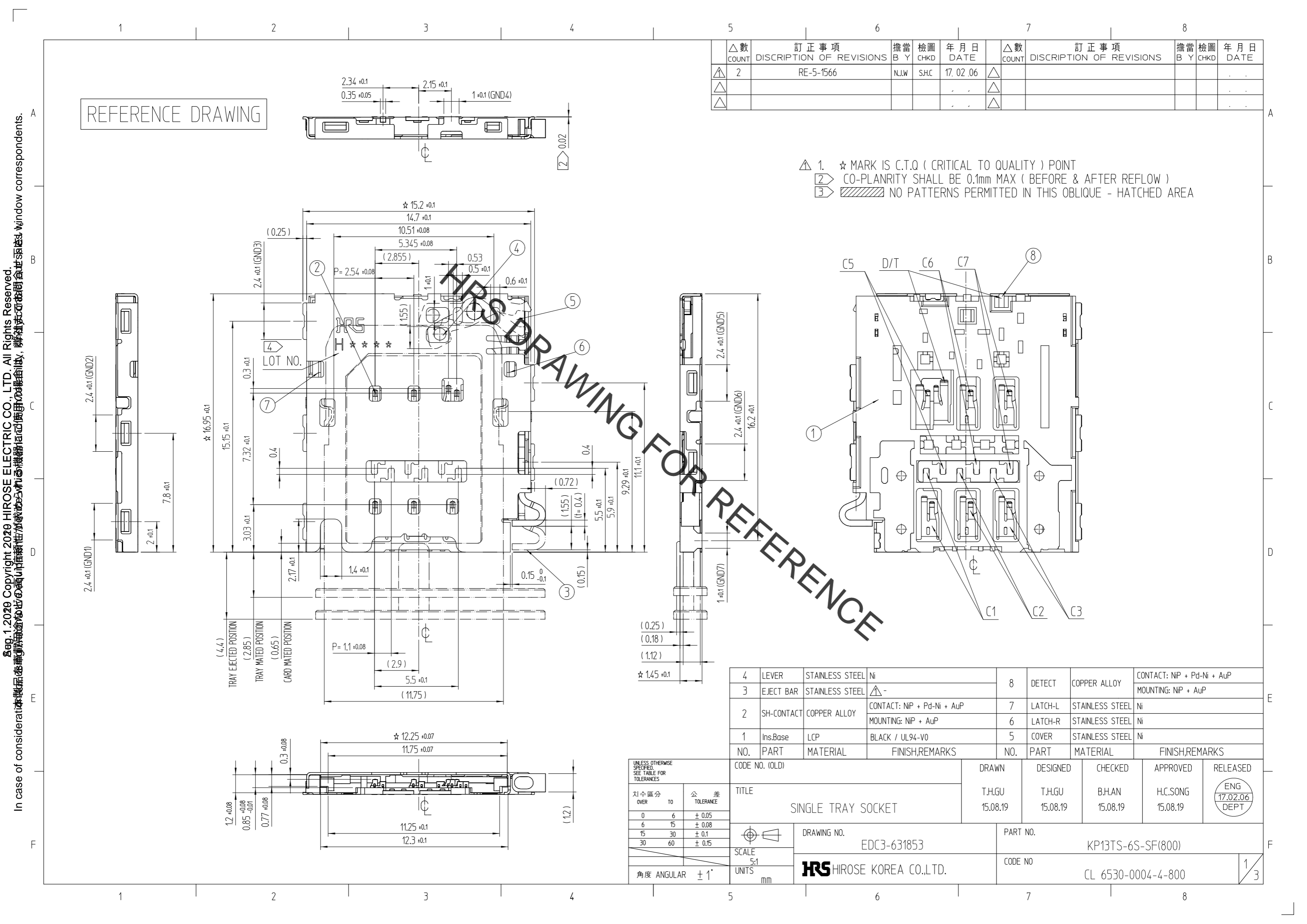


In case of consideration of the product, please refer to the drawing. In case of consideration of the product, please refer to the drawing. In case of consideration of the product, please refer to the drawing.



△数 COUNT	訂正事項 DISCRPTION OF REVISIONS	擔當 B Y	檢圖 CHKD	年月日 DATE	△数 COUNT	訂正事項 DISCRPTION OF REVISIONS	擔當 B Y	檢圖 CHKD	年月日 DATE
2	RE-5-1566	N.J.W	S.H.C	17.02.06					

- △ 1. ☆ MARK IS C.T.Q ( CRITICAL TO QUALITY ) POINT
- ② CO-PLANRITY SHALL BE 0.1mm MAX ( BEFORE & AFTER REFLOW )
- ③ NO PATTERNS PERMITTED IN THIS OBLIQUE - HATCHED AREA

NO.	PART	MATERIAL	FINISH,REMARKS	NO.	PART	MATERIAL	FINISH,REMARKS
4	LEVER	STAINLESS STEEL	Ni	8	DETECT	COPPER ALLOY	CONTACT: NIP + Pd-Ni + AuP MOUNTING: NIP + AuP
3	EJECT BAR	STAINLESS STEEL	△ -	7	LATCH-L	STAINLESS STEEL	Ni
2	SH-CONTACT	COPPER ALLOY	CONTACT: NIP + Pd-Ni + AuP MOUNTING: NIP + AuP	6	LATCH-R	STAINLESS STEEL	Ni
1	Ins.Base	LCP	BLACK / UL94-V0	5	COVER	STAINLESS STEEL	Ni

UNLESS OTHERWISE SPECIFIED, SEE TABLE FOR TOLERANCES	公差 TOLERANCE
0 OVER	± 0.05
6 TO 15	± 0.08
15 TO 30	± 0.1
30 TO 60	± 0.15

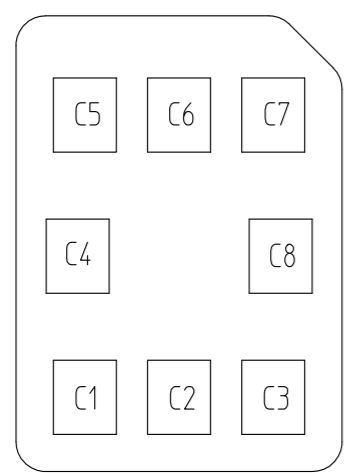
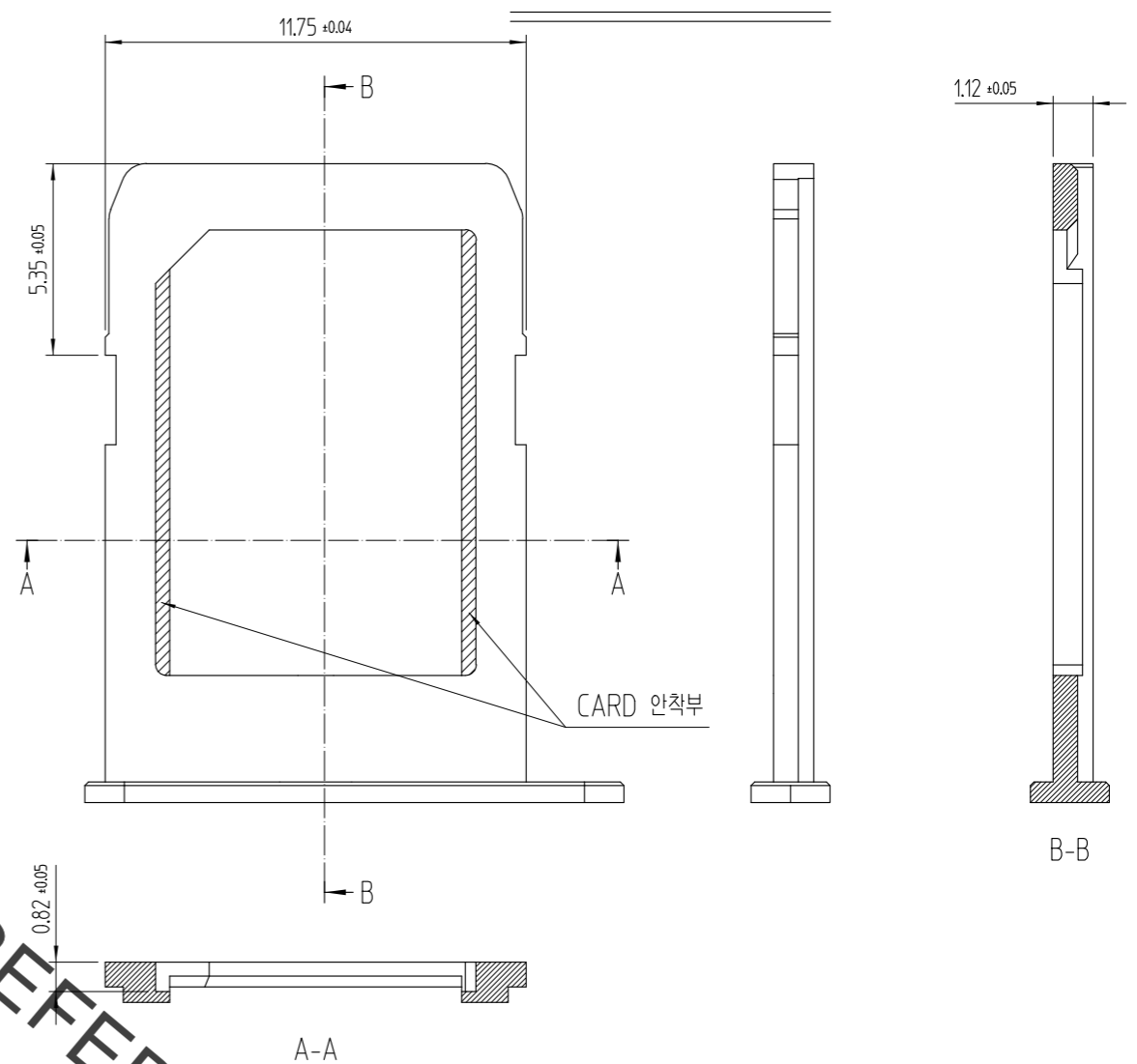
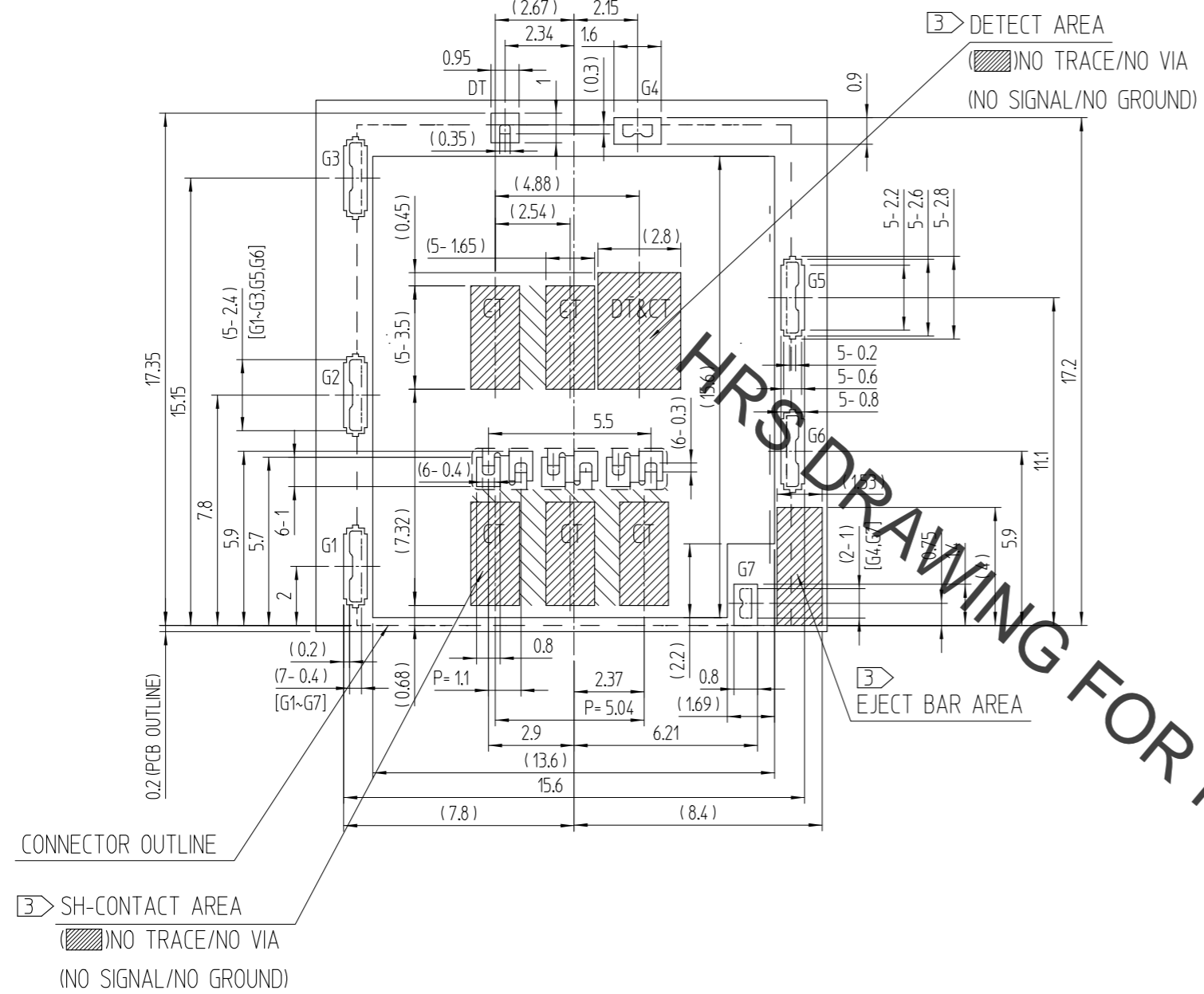
CODE NO. (OLD)	DRAWN	DESIGNED	CHECKED	APPROVED	RELEASED
TITLE	T.H.GU	T.H.GU	B.H.AN	H.C.SONG	ENG 17.02.06 DEPT
SINGLE TRAY SOCKET		15.08.19	15.08.19	15.08.19	15.08.19
DRAWING NO.	PART NO.		CODE NO.		
EDC3-631853	KP13TS-6S-SF(800)		CL 6530-0004-4-800		
SCALE	UNITS		1/3		
5:1	mm				
角度 ANGULAR	± 1°				

Sep. 1, 2029 Copyright 2029 HIROSE ELECTRIC CO., LTD. All Rights Reserved.  
 In case of consideration of manufacturing process, please refer to the corresponding window correspondents.

RECOMMEND P.C.B PATTERN LAYOUT (TOLERANCE : ±0.05)

RECOMMEND METAL MASK THICKNESS : 0.12mm

RECOMMEND TRAY LAYOUT



PIN No.	Name
C1	Vcc(Supply V)
C2	RST(Reset)
C3	CLK(Clock)
C4	Reserved
C5	GND
C6	Vpp(Program V)
C7	I/O
C8	Reserved

NANO SIM CARD ASSIGNMENT

MANUFACTURING DATE SYSTEM

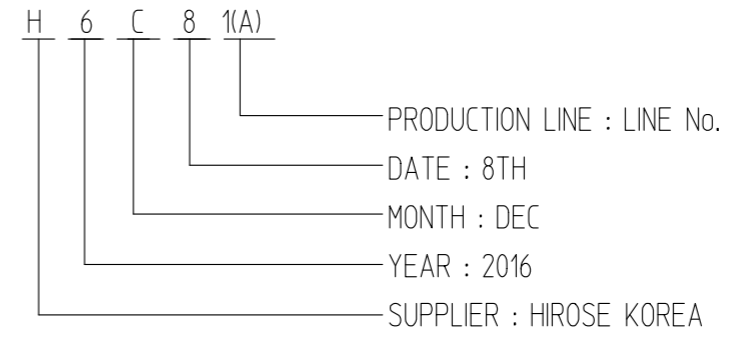


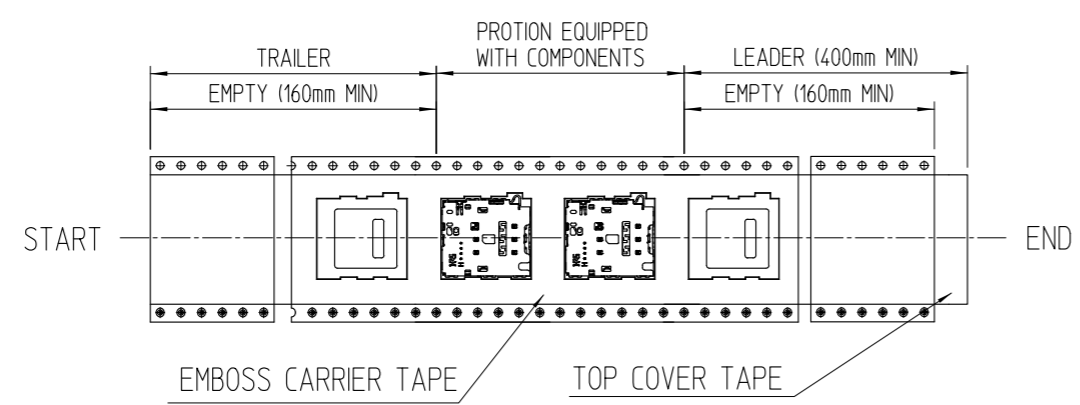
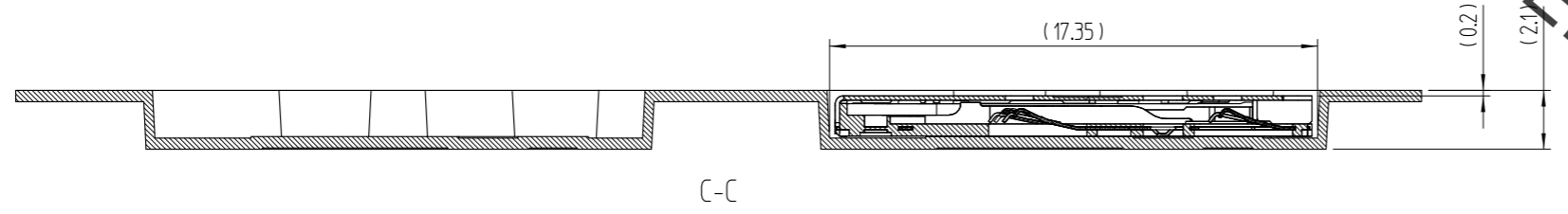
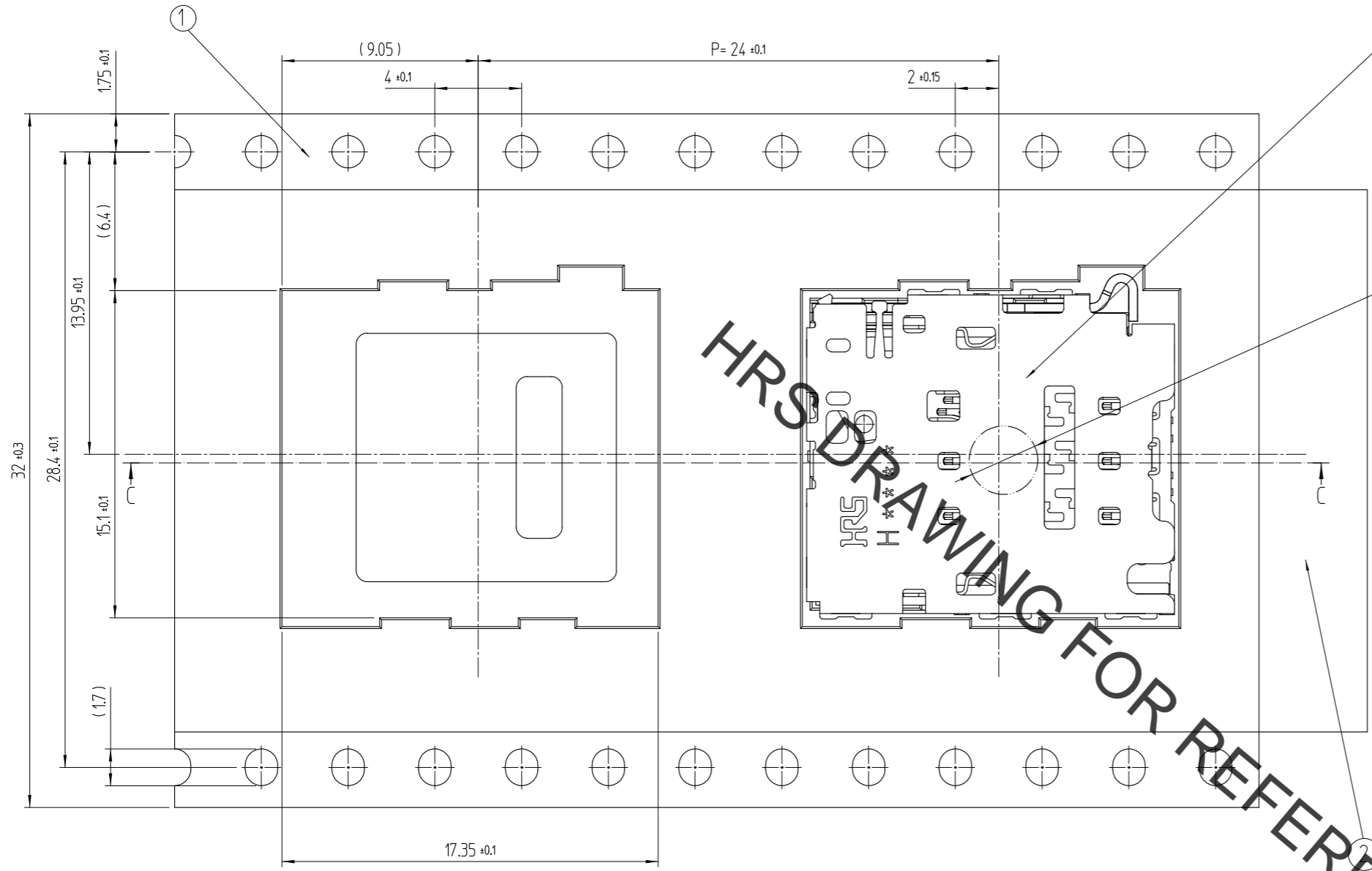
TABLE.1

YEAR	SYMBOL	MONTH		DATE					
		SYMBOL	DATE	SYMBOL	DATE	SYMBOL	DATE	SYMBOL	DATE
2016	6	Jan.	1	1	1	11	11	21	21
2017	7	Feb.	2	2	2	12	12	22	22
2018	8	Mar.	3	3	3	13	13	23	23
2019	9	Apr.	4	4	4	14	14	24	24
2020	0	May.	5	5	5	15	15	25	25
2021	1	Jun.	6	6	6	16	16	26	26
2022	2	Jul.	7	7	7	17	17	27	27
2023	3	Aug.	8	8	8	18	18	28	28
2024	4	Sep.	9	9	9	19	19	29	29
2025	5	Oct.	A	10	10	20	20	30	30
		Nov.	B					31	31
		Dec.	C						

In case of consideration of the product, please refer to the drawing for the use of the product. In case of consideration of the product, please refer to the drawing for the use of the product.

Copyright 2020 HIROSE ELECTRIC CO., LTD. All Rights Reserved.

5 PACKING TYPE : TAPE AND 1,600PCS PER REEL  
 DRAWING FOR PACKING

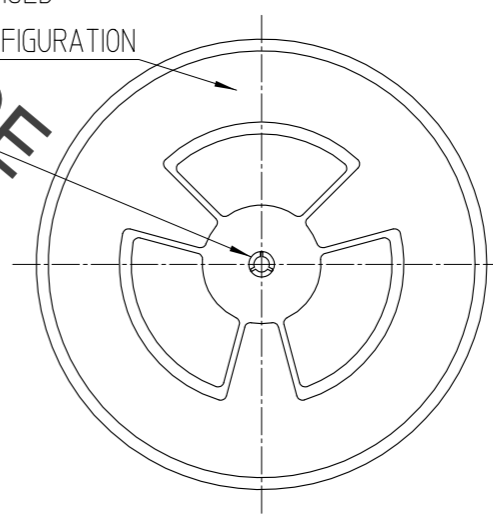


Φ3 (VACUUM AREA)

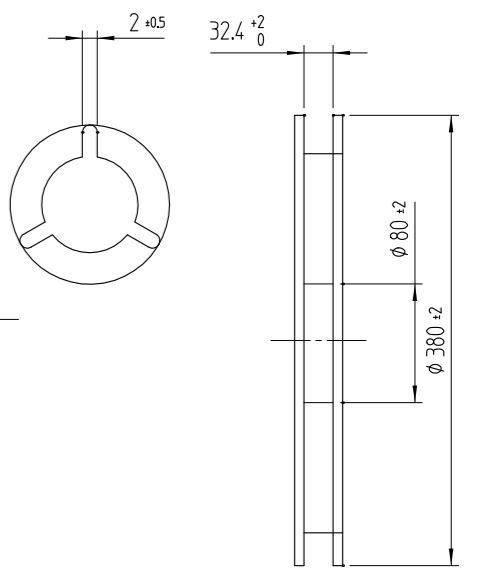
HRS DRAWING FOR REFERENCE

DETAIL OF REEL

REVISED CONFIGURATION



Detail G



3	(CONNECTOR)	
2	TOP COVER TAPE	POLYESTER
1	EMBOSS CARRIER TAPE	PS
No.	PART	MATERIAL
HRS HIROSE KOREA CO.,LTD.		圖番 DRAWING NO. EDC3-631853
		3/3