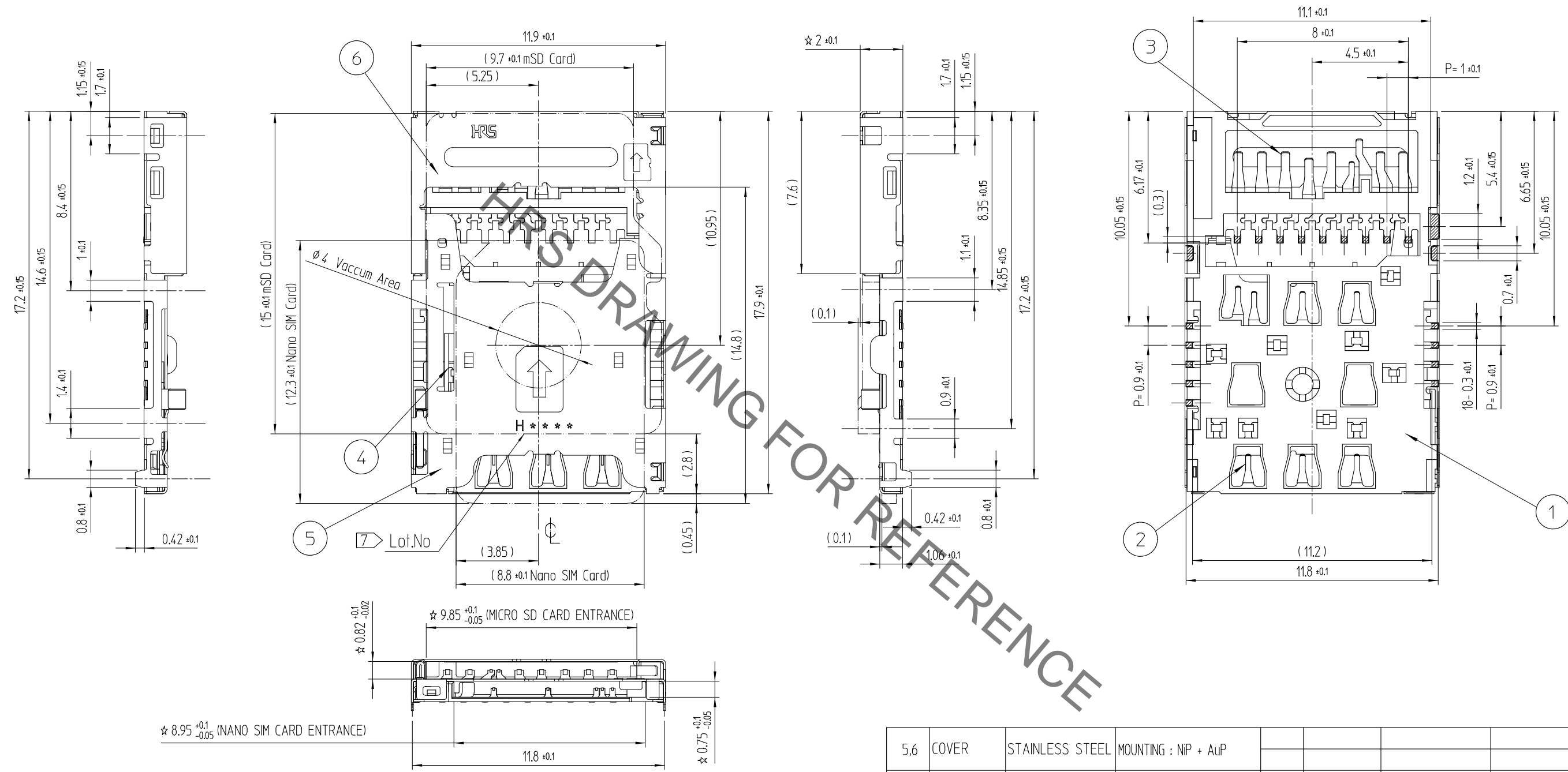


Aug.1.2020 Copyright 2020 HIROSE ELECTRIC CO., LTD. All Rights Reserved.  
In case of consideration for using Automotive equipment / device which demand high reliability, kindly contact our sales window correspondents.

REFERENCE DRAWING



△數 COUNT	訂正事項 DESCRIPTION OF REVISIONS	擔當 B Y	檢圖 CHKD	年月日 DATE	△數 COUNT	訂正事項 DISCRPTION OF REVISIONS	擔當 B Y	檢圖 CHKD	年月日 DATE
△					△				
△					△				
△					△				
△					△				

- NOTE
- 1> CIRCUIT DIAGRAM DETECT SWITCH OF NANO SIM / MICRO SD CARD
  - 2 CO-PLANARITY SHALL BE 0.1mm MAX(BEFORE & AFTER REFLOW)
  - 3> NO PATTERNS PERMITTED IN THIS OBLIQUE - HATCHED AREA
  - 4> PACKING TYPE :TAPE AND REEL . 1,200PCS PER 1REEL
  - 5. MATES WITH
    - UPPER : MICRO SD CARD
    - LOWER : NANO SIM CARD
  - 6> CARD STOPPER RECOMMANDATION SIZE

5,6	COVER	STAINLESS STEEL	MOUNTING : NIP + AuP				
4	EJECT BAR	STAINLESS STEEL	-				
2,3	SH-CONTACT	COPPER ALLOY	CONTACT : NIP + Pd-Ni + AuP MOUNTING : NIP + AuP				
1	Ins.Base	LCP	BLACK / UL94-V0				
NO.	PART	MATERIAL	FINISH,REMARKS	NO.	PART	MATERIAL	FINISH,REMARKS

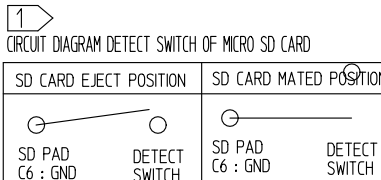
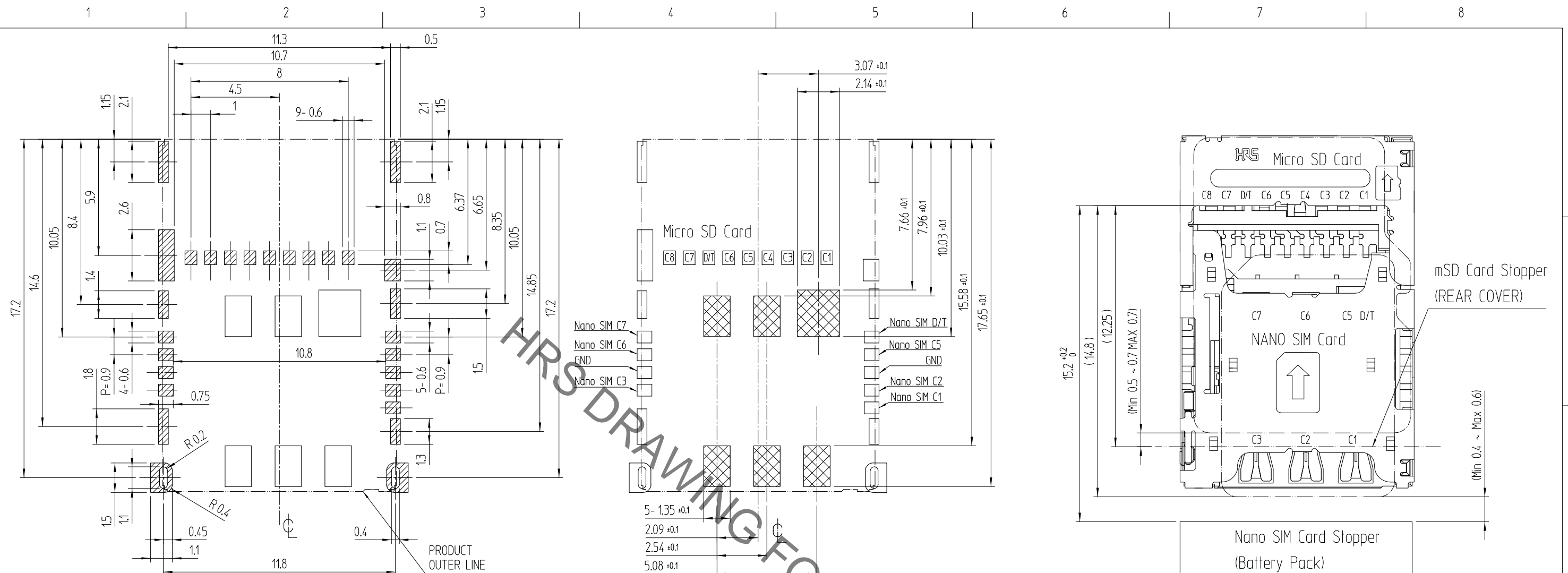
寸分區分 OVER	公差 TOLERANCE
0	± 0.05
6	± 0.08
15	± 0.1
30	± 0.15

角度 ANGULAR ± 1°

CODE NO. (OLD)	DRAWN	DESIGNED	CHECKED	APPROVED	RELEASED
TITLE Nano SIM + mSD Combo Socket	J.Y.JUNG 16.08.08	J.Y.JUNG 16.08.08	B.H.AN 16.08.08	H.C.SONG 16.08.08	ENG 17.02.24 DEPT
DRAWING NO. EDC3-631968	PART NO. KP15B-6S-SF(800)		CODE NO. 6538-0005-8-800		
SCALE 5:1	UNITS mm		HRS HIROSE KOREA CO.,LTD.		

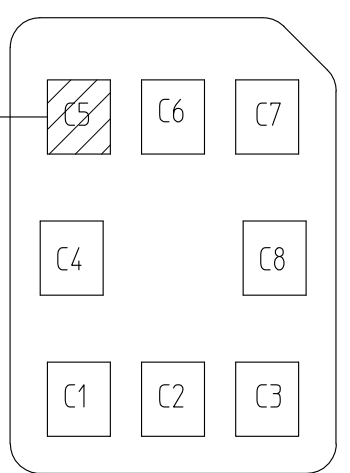
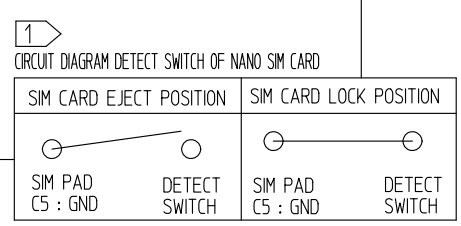
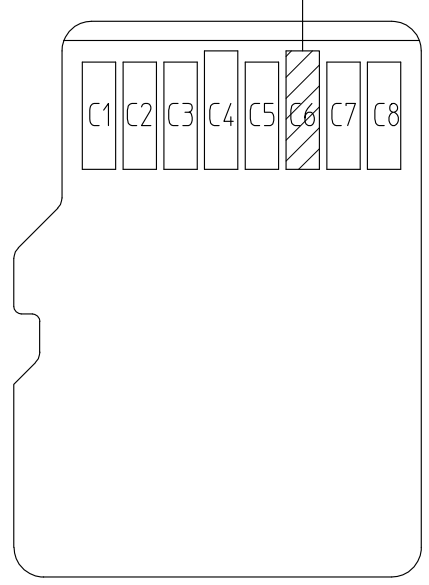
1/3

Aug.1.2020 Copyright 2020 HIROSE ELECTRIC CO., LTD. All Rights Reserved.  
In case of consideration for using Automotive equipment / device which demand high reliability, kindly contact our sales window correspondents.



MICRO SD CARD ASSIGNMENT

PIN No.	Name
C1	DAT2
C2	CD/DATA3
C3	CMD
C4	V <sub>DD</sub>
C5	CLK
C6	V <sub>SS</sub> (GND)
C7	DAT0
C8	DAT1

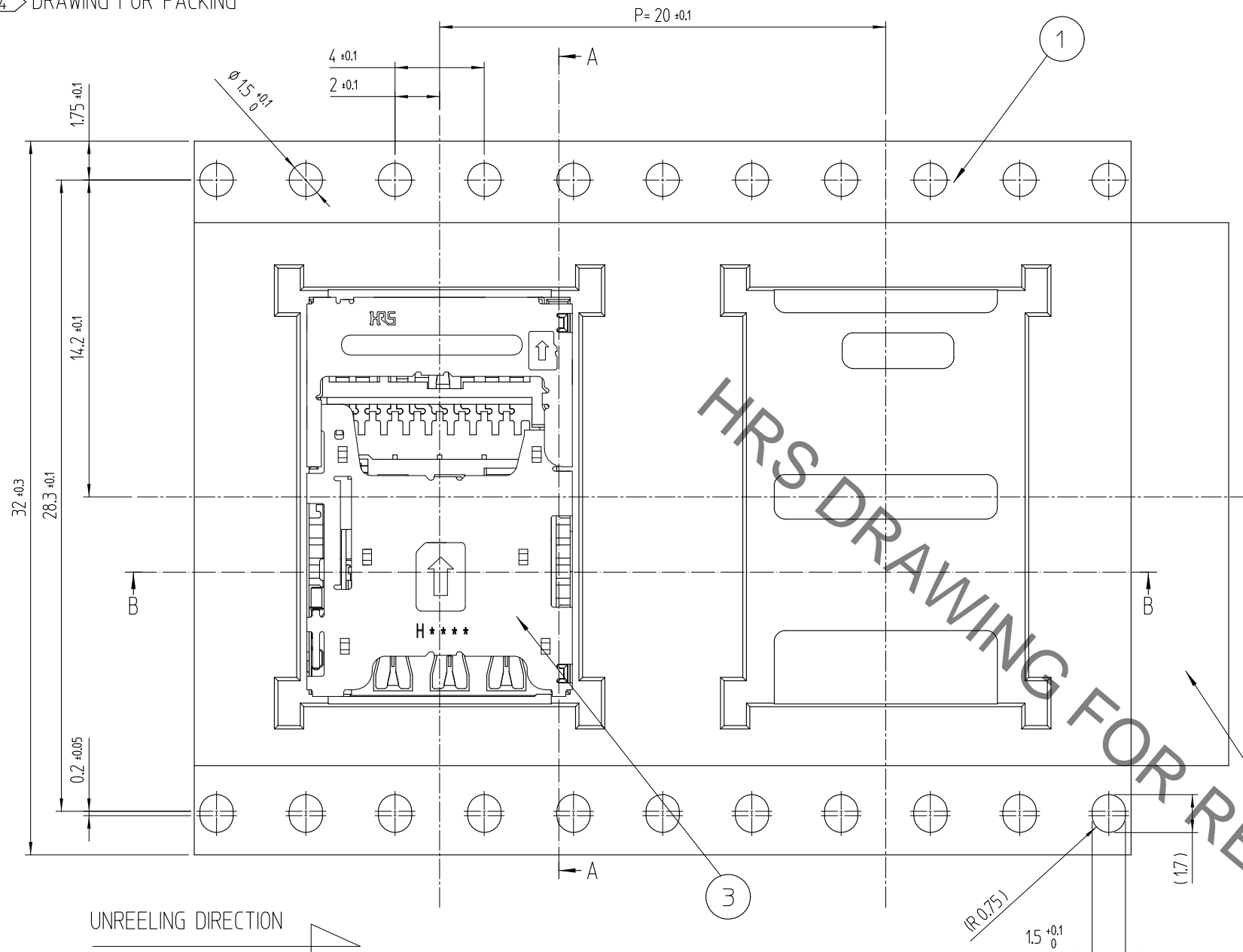


NANO SIM CARD ASSIGNMENT

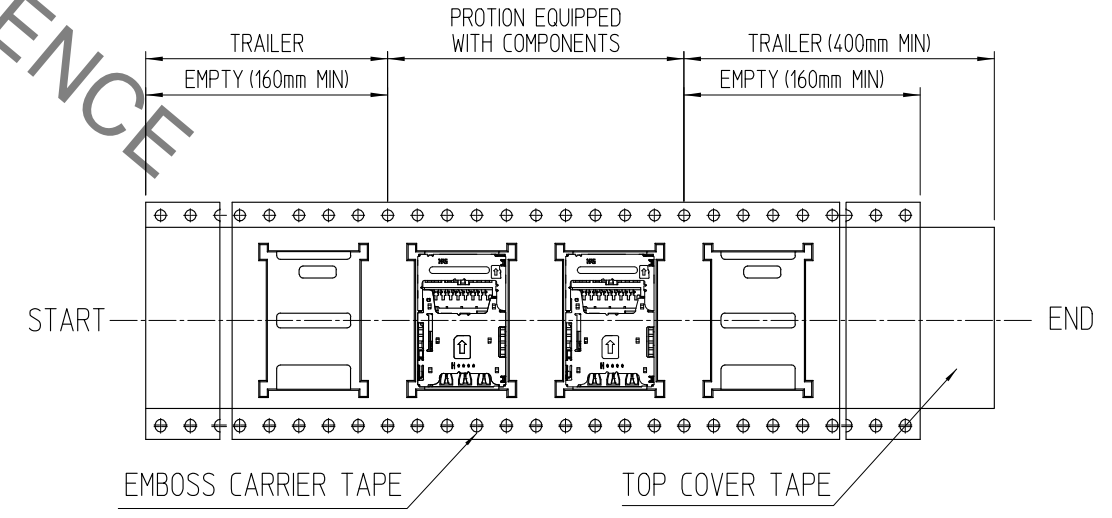
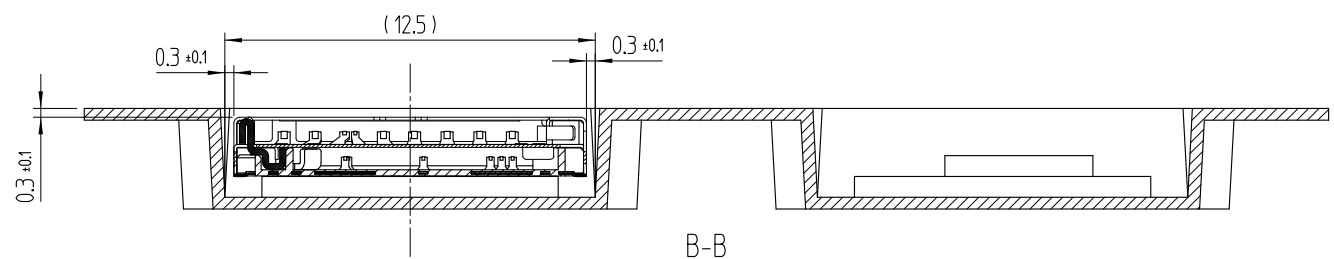
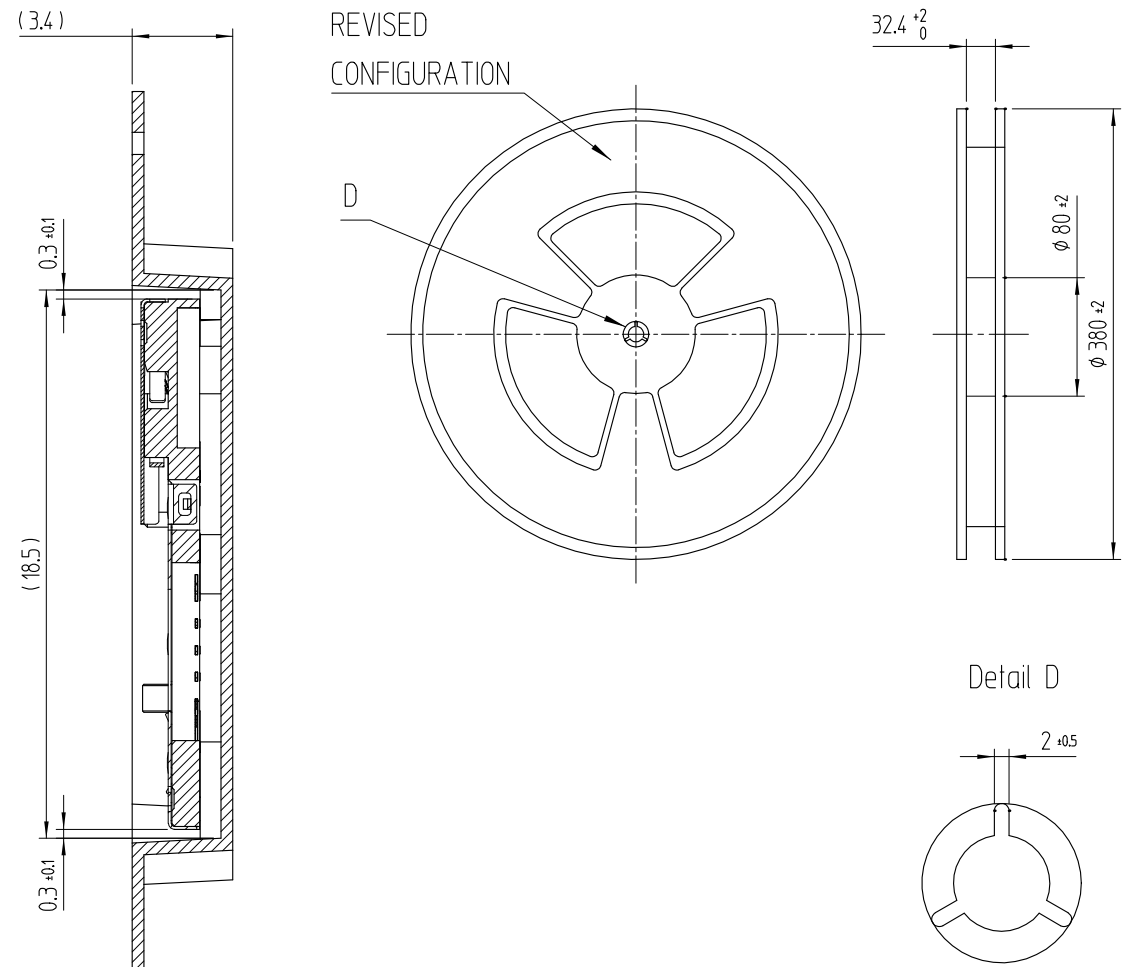
PIN No.	Name
C1	V <sub>CC</sub>
C2	RST
C3	CLK
C4	Reserved
C5	GND
C6	V <sub>PP</sub>
C7	I/O
C8	Reserved

Aug.1.2020 Copyright 2020 HIROSE ELECTRIC CO., LTD. All Rights Reserved.  
 In case of consideration for using Automotive equipment / device which demand high reliability, kindly contact our sales window correspondents.

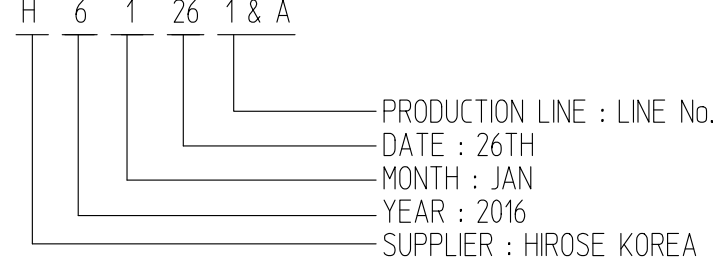
4 DRAWING FOR PACKING



DETAIL OF REEL



7 MANUFACTURING DATE SYSTEM



7 TABLE.1

YEAR	MONTH	DATE							
YEAR	SYMBOL	MONTH	SYMBOL	DATE	SYMBOL	DATE	SYMBOL	DATE	SYMBOL
2016	6	Jan.	1	1	1	11	11	21	21
2017	7	Feb.	2	2	2	12	12	22	22
2018	8	Mar.	3	3	3	13	13	23	23
2019	9	Apr.	4	4	4	14	14	24	24
2020	0	May.	5	5	5	15	15	25	25
2021	1	Jun.	6	6	6	16	16	26	26
2022	2	Jul.	7	7	7	17	17	27	27
2023	3	Aug.	8	8	8	18	18	28	28
2024	4	Sep.	9	9	9	19	19	29	29
2025	5	Oct.	A	10	10	20	20	30	30
		Nov.	B					31	31
		Dec.	C						

3	(CONNECTOR)	
2	TOP COVER TAPE	POLYESTER
1	EMBOSS CARRIER TAPE	PS
No.	PART	MATERIAL