

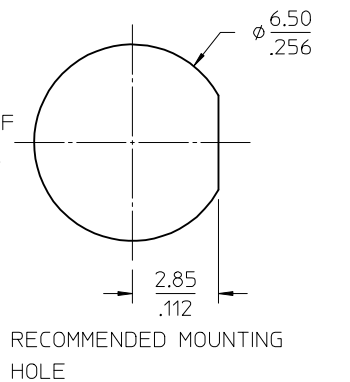
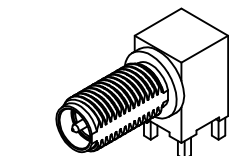
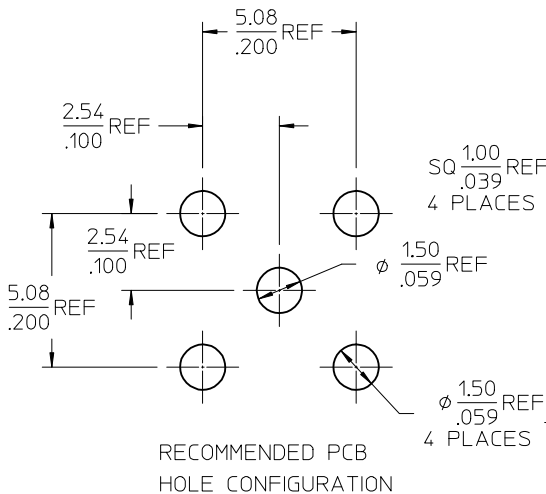
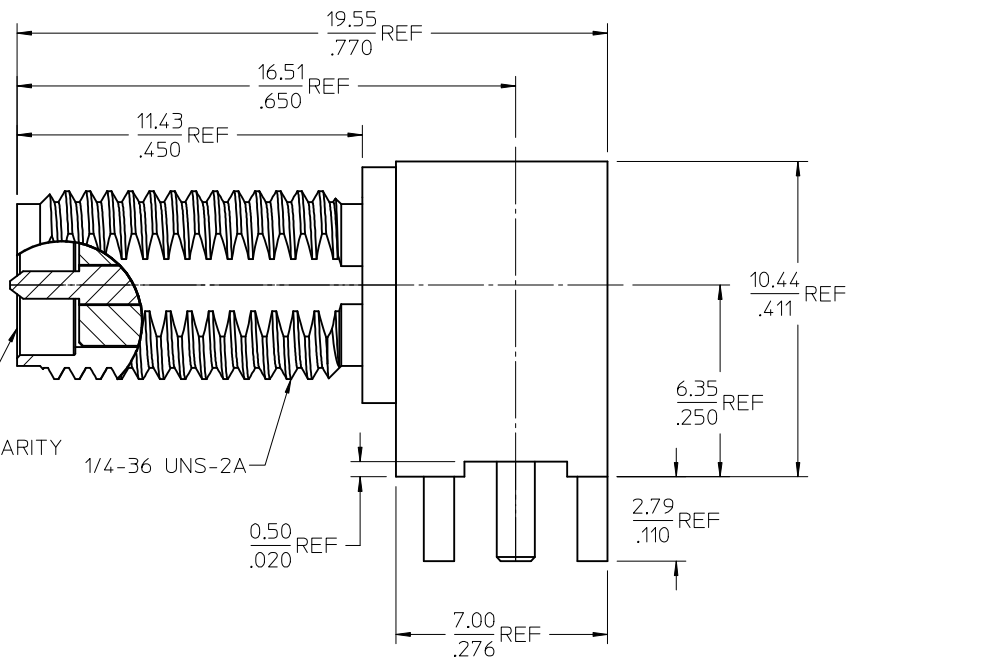
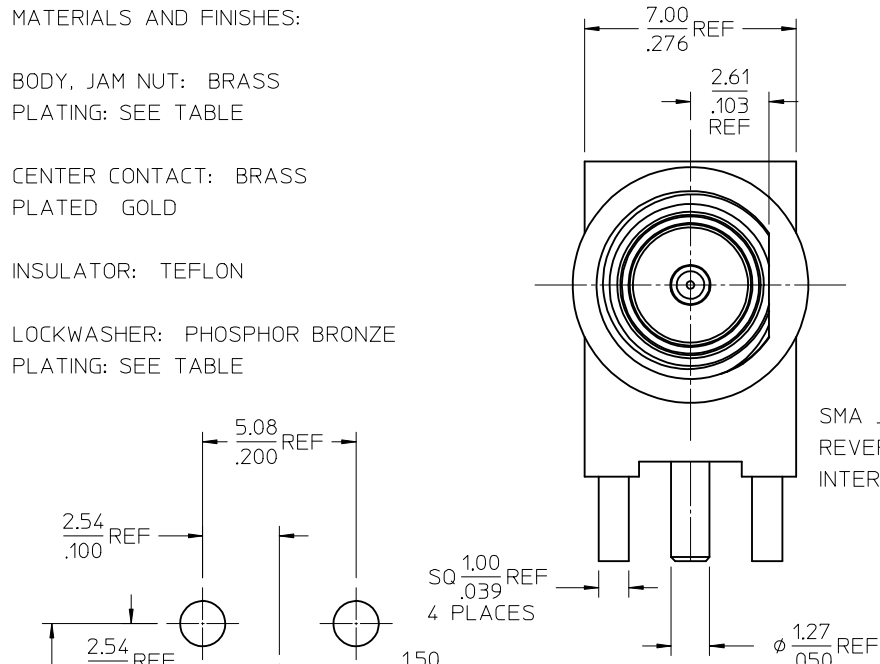
MATERIALS AND FINISHES:

BODY, JAM NUT: BRASS
PLATING: SEE TABLE

CENTER CONTACT: BRASS
PLATED GOLD

INSULATOR: TEFLON

LOCKWASHER: PHOSPHOR BRONZE
PLATING: SEE TABLE

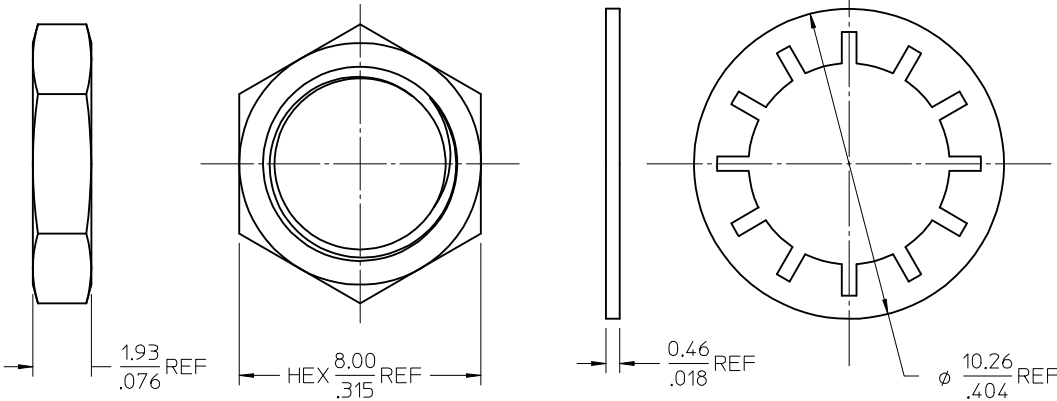


SMA JACK
REVERSE POLARITY
INTERFACE

1/4-36 UNS-2A

JAM NUT

LOCK WASHER



73251-2773	OMIT	OMIT	NICKEL
73251-2772	OMIT	OMIT	GOLD
73251-2771	89611-0529	89610-1143	GOLD
73251-2770	89611-0527	89610-1141	NICKEL
PART NO.	JAM NUT	LOCK WASHER	PLATED

73251-2771	GOLD
73251-2770	NICKEL
PART NO.	PLATING (BODY, JAM NUT, LOCKWASHER)

CHG/PLATING TYPO AND CORRECT EC NO: URF2015-0660 DRWN:YCHENG 2015/05/25 CHKD: APPR:YCHENG 2015/05/26 REV: A5	QUALITY SYMBOLS ▽=0 ▽=0	GENERAL TOLERANCES (UNLESS SPECIFIED) <table border="1"> <tr> <th></th> <th>mm</th> <th>INCH</th> </tr> <tr> <td>4 PLACES</td> <td>± .125</td> <td>± .005</td> </tr> <tr> <td>3 PLACES</td> <td>± .125</td> <td>± .005</td> </tr> <tr> <td>2 PLACES</td> <td>± .125</td> <td>± .005</td> </tr> <tr> <td>1 PLACE</td> <td>± .125</td> <td>± .005</td> </tr> </table> ANGULAR ± 2°		mm	INCH	4 PLACES	± .125	± .005	3 PLACES	± .125	± .005	2 PLACES	± .125	± .005	1 PLACE	± .125	± .005	DIMENSION STYLE MM/IN	SCALE DESIGN UNITS METRIC	THIRD ANGLE PROJECTION
		mm	INCH																	
	4 PLACES	± .125	± .005																	
	3 PLACES	± .125	± .005																	
	2 PLACES	± .125	± .005																	
1 PLACE	± .125	± .005																		
		DRAWN BY JM DATE 2005/06/03	TITLE SMA JACK, R/A, PCB REVERSE POLARITY, 50 OHM EWR-2827, SMA-J/RP/PCB																	
		CHECKED BY JM DATE 2005/06/03	MOLEX INCORPORATED																	
		APPROVED BY JDW DATE 2005/06/03	DOCUMENT NO. SD-73251-277																	
		MATERIAL NO. SEE TABLE	SHEET NO. 1 OF 1																	

DRAFT WHERE APPLICABLE
MUST REMAIN
WITHIN DIMENSIONS

THIS DRAWING CONTAINS INFORMATION THAT IS PROPRIETARY TO MOLEX INCORPORATED AND SHOULD NOT BE USED WITHOUT WRITTEN PERMISSION