

MATERIALS AND FINISHES

BODY, CAP: BRASS
PLATED SEE TABLE

CENTER CONTACT: BRASS
PLATED GOLD

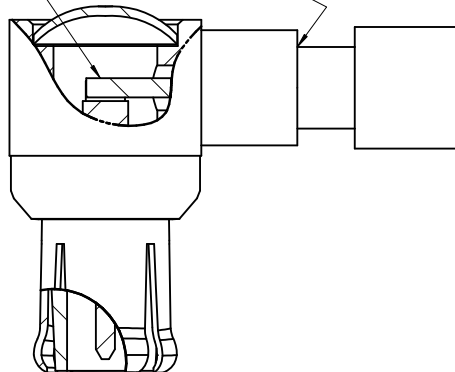
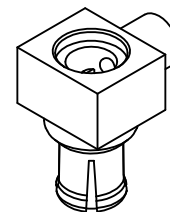
INSULATOR, SPACER: TEFLON

OUTER CONTACT: BERYLLIUM COPPER
PLATED GOLD

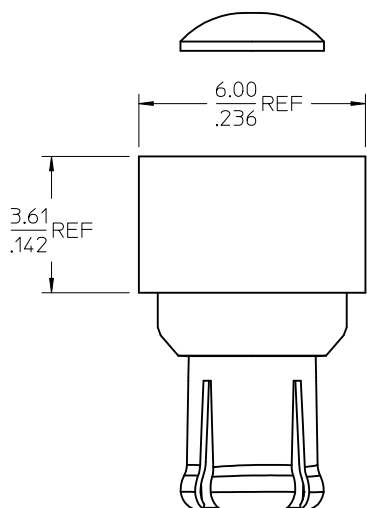
SOLDER

2.79
.110 REF

.086 OR EQUIVALENT CABLE
BELDEN 1671J (SHOWN)



7.11
.280 REF



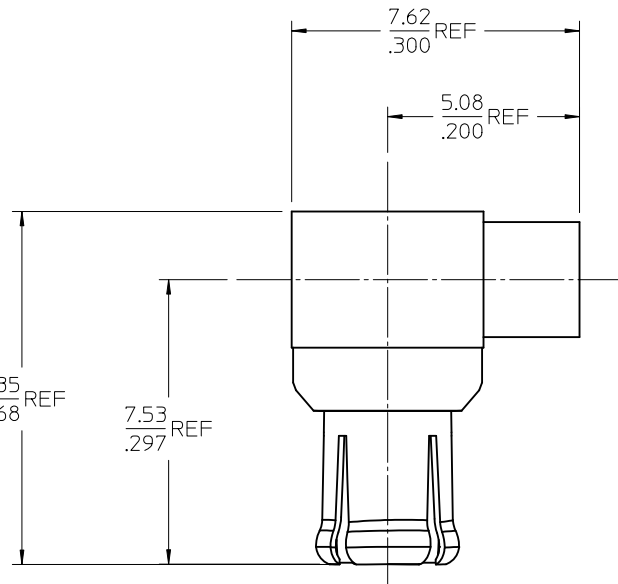
CAP

9.35
.368 REF

7.53
.297 REF

7.62
.300 REF

5.08
.200 REF



PS-89675-1740	PRODUCT SPECIFICATION
CECC-22-220	INTERFACE
SPECIFICATION	DESCRIPTION

73415-2383	GOLD	GOLD	-
73415-2382	NICKEL	NICKEL	73366-6032
73415-2381	GOLD	GOLD	73366-6030
73415-2380	TIN	NICKEL	73366-6031
PART NO.	BODY	CAP	SAME AS
	FINISH	FINISH	

ADDED P/N: 73415-2383 PER PDR110908	EC NO: URF2012-0568	DRWNLIN 2011/10/07
CHKD:	APPR:MHUANG	2012/04/11
B1		

QUALITY SYMBOLS	GENERAL TOLERANCES (UNLESS SPECIFIED)
▽=0	mm INCH
▽=0	4 PLACES ± .005 ± .005
	3 PLACES ± .005 ± .005
	2 PLACES ± .005 ± .005
	1 PLACE ± .005 ± .005
	ANGULAR ± 2°

DRAWN BY	DATE
SSS	2000/07/26
CHECKED BY	DATE
TEF	2000/07/27
APPROVED BY	DATE
GMH	2000/07/27
MATERIAL NO.	DOCUMENT NO.
SEE TABLE	SD-73415-238

DIMENSION STYLE	
MM/IN	
SCALE	
DESIGN UNITS	
METRIC	

THIRD ANGLE PROJECTION	
MCX PLUG, R/A 50 OHMS FOR 086 CABLE MCX-PC	
MOLEX INCORPORATED	
SHEET NO.	1 OF 1

MATERIALS AND FINISHES

BODY, CAP: BRASS
PLATED SEE TABLE

CENTER CONTACT: BRASS
PLATED GOLD

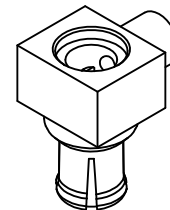
INSULATOR, SPACER: TEFLON

OUTER CONTACT: BERYLLIUM COPPER
PLATED GOLD

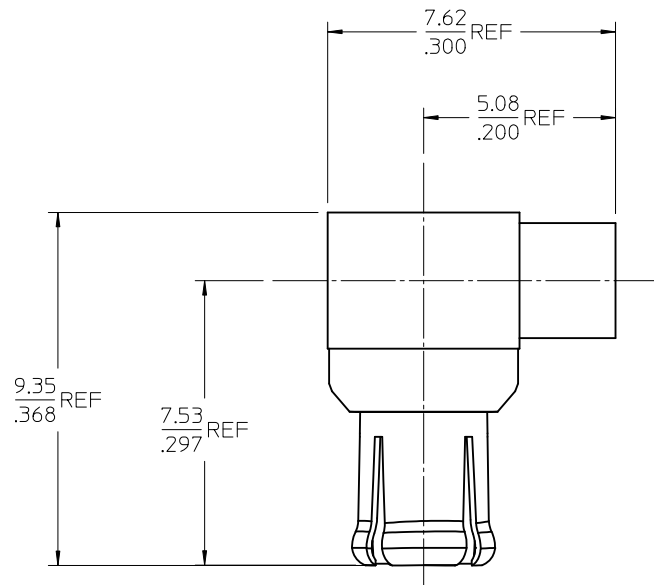
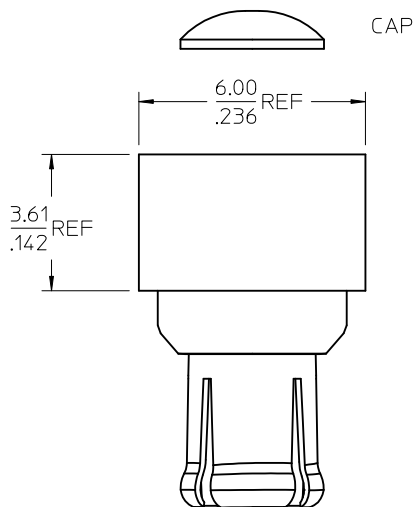
SOLDER

2.79
.110 REF

.086 OR EQUIVALENT CABLE
BELDEN 1671J (SHOWN)



7.11
.280 REF



PS-89675-1740	PRODUCT SPECIFICATION
CECC-22-220	INTERFACE
SPECIFICATION	DESCRIPTION

73415-2383	GOLD	GOLD	-
73415-2382	NICKEL	NICKEL	73366-6032
73415-2381	GOLD	GOLD	73366-6030
73415-2380	TIN	NICKEL	73366-6031
PART NO.	BODY	CAP	SAME AS
	FINISH	FINISH	

ADDED P/N: 73415-2383 PER PDR110908	EC NO: URF2012-0568	DRWNLIN 2011/10/07	CHKD:	APPR:MHUANG	2012/04/11
B1					

QUALITY SYMBOLS	GENERAL TOLERANCES (UNLESS SPECIFIED)	DIMENSION STYLE	SCALE	DESIGN UNITS	THIRD ANGLE PROJECTION
▽=0	mm INCH	MM/IN		METRIC	
▽=0	4 PLACES ± --- ± ---	DRAWN BY DATE	TITLE		
	3 PLACES ± --- ± ---	SSS 2000/07/26	MCX PLUG, R/A		
	2 PLACES ± --- ± ---	CHECKED BY DATE	50 OHMS FOR 086 CABLE		
	1 PLACE ± --- ± ---	TEF 2000/07/27	MCX-PC		
	ANGULAR ± 2 °	APPROVED BY DATE			
		GMH 2000/07/27			
		MATERIAL NO.	DOCUMENT NO.		
		SEE TABLE	SD-73415-238		
		SIZE			
		C			

DRAFT WHERE APPLICABLE
MUST REMAIN
WITHIN DIMENSIONS

MOLEX INCORPORATED		SHEET NO.
		1 OF 1
THIS DRAWING CONTAINS INFORMATION THAT IS PROPRIETARY TO MOLEX INCORPORATED AND SHOULD NOT BE USED WITHOUT WRITTEN PERMISSION		