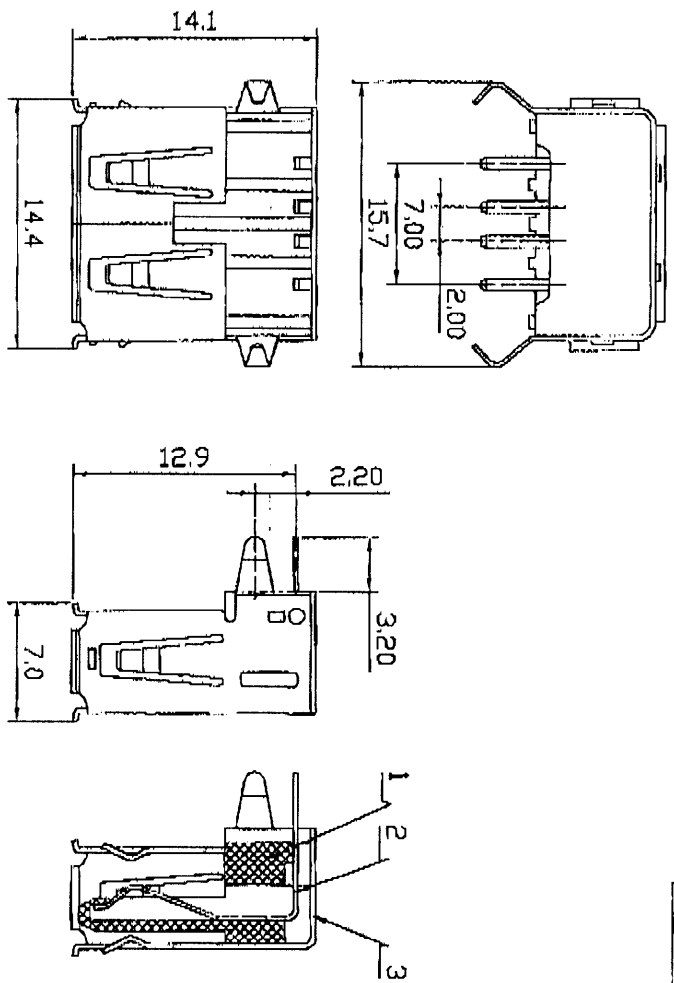


CUSTOMER'S APPROVAL: \_\_\_\_\_  
 FIRST ARTICLE SAMPLE REQUIRED:  YES,  NO.

DATE: \_\_\_\_\_



NOTE 1

RATINGS

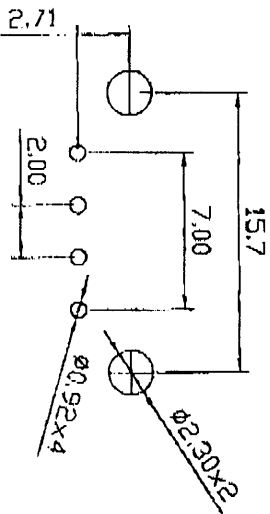
VOLTAGE RATING (30V AC Grms)  
 CURRENT RATING (1 A MAX)  
 ELECTRICAL CHARACTERISTICS:  
 CONTACT RESISTANCE (30m ohms MAX)  
 INSULATION RESISTANCE (100M ohms MIN)  
 DIELECTRIC WITHSTANDING VOLTAGE (500V DC AT 1 MINUTE)

MATERIALS

SHELL: BRASS  
 HOUSING: PBT GF 30%  
 PIN: BRASS

PLATED:

SHELL: UNDER-PLATING: NICKEL 50u" MIN  
 TIN-LEAD: NICKEL 50u" MIN  
 PIN: CONTACT AREA: SLD FLASH  
 SOLDER AREA: TIN-LEAD 100u" MIN  
 UNDER-PLATING: NICKEL 50u" MIN



PCBOARD LAYOUT

UNIT: mm

NO.	DESCRIPTION	UNIT	QTY
3	USB-A TYPE 90° FEMALE SHELL	PCS	4
2	USB-A TYPE 90° FEMALE PIN	PCS	4
1	USB-A TYPE 90° FEMALE INSULATOR WHITE IN CLIP	PCS	1

REVISED DETAILS

REV.	DESCRIPTION	DATE	REVISED BY	Part number	Revision
A	ADD P.C BOARD LAYOUT	NOV.12.02	CANDY	LUM 0055	A

© Copyright 04-2001  
 TOTAL TECHNOLOGIES, LTD.

All information herein is proprietary and the exclusive property of Total Technologies, Ltd. Recipient agrees: 1) Not to disclose any of such information to others 2) Not to reproduce in whole or in part 3) To use such information only as directed by Total Technologies, Ltd. Upon request to return all copies of this document to Total Technologies, Ltd. Specifications are subject to change without prior notice.