

DO NOT SCALE FROM THIS PRINT

NOTES:

1. Ⓢ REPRESENTS A CRITICAL DIMENSION.
2. VERIFY -S PLATING, VISUALLY CHECK -F ONLY.
3. ALL PARTS ARE RoHS COMPLIANT WITH OR WITHOUT -R.

USB-AM-S-X-X-TH-X

TYPE
-AM

CONFIGURATION
-S: SINGLE

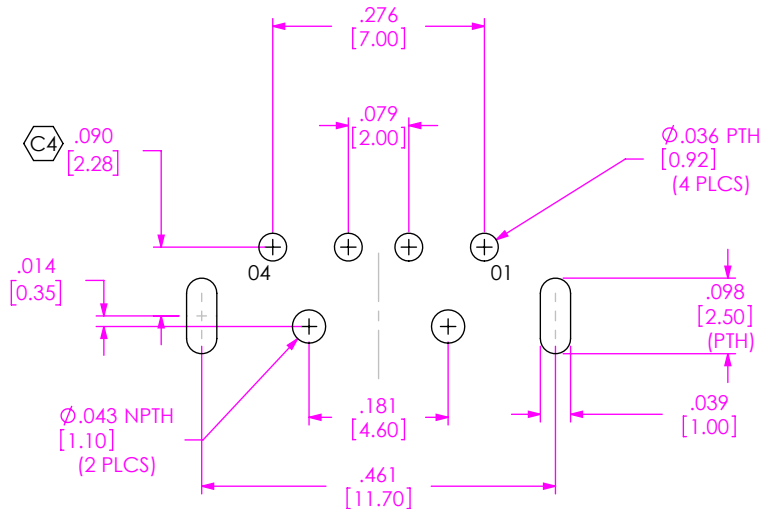
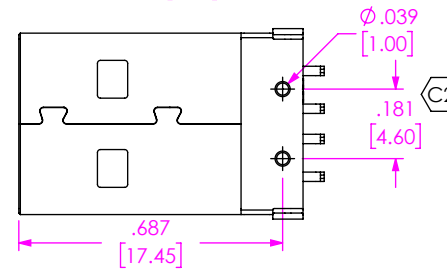
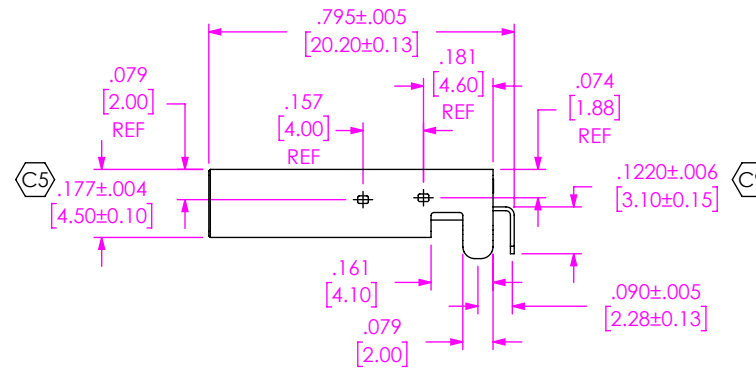
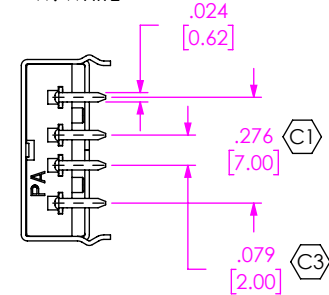
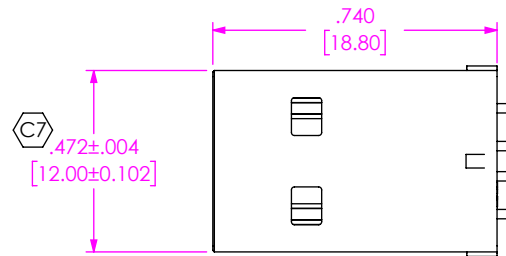
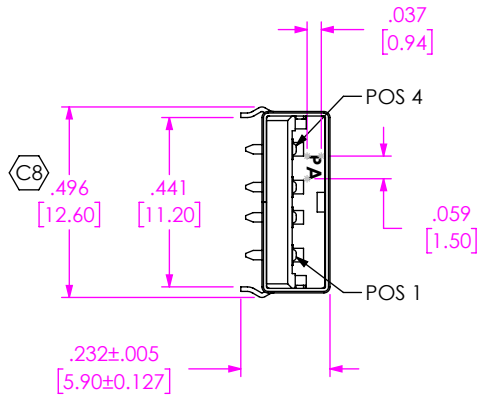
ELOPTION
-R: RoHS COMPLIANT - LEAD FREE

RA TERMINATION
-TH: THROUGH HOLE

COLOR
-B: BLACK
-W: WHITE

PLATING

- F: GOLD FLASH ON MATING AREA, BRIGHT ACID TIN ON TAILS (100U" MIN) W/ NICKEL UNDERPLATE (SEE NOTE 3 FOR -RC)
- S: .000030" GOLD ON MATING AREA, BRIGHT ACID TIN ON TAILS (100U" MIN) W/ NICKEL UNDERPLATE (SEE NOTE 3 FOR -RC)



RECOMMENDED PCB LAYOUT

UNLESS OTHERWISE SPECIFIED, DIMENSIONS ARE IN INCHES.
 TOLERANCES ARE:
 DECIMALS ANGLES
 .X: ±.01 [0.30]
 .XX: ±.008 [0.20]
 .XXX: ±.005 [0.13]

PROPRIETARY NOTE
 THIS DOCUMENT CONTAINS CONFIDENTIAL AND PROPRIETARY INFORMATION AND ALL DESIGN, MANUFACTURING, REPRODUCTION, USE, PATENT RIGHTS AND SALES RIGHTS ARE EXPRESSLY RESERVED BY SAMTEC, INC. THIS DOCUMENT SHALL NOT BE DISCLOSED, IN WHOLE OR PART, TO ANY UNAUTHORIZED PERSON OR ENTITY NOR REPRODUCED, TRANSFERRED OR INCORPORATED IN ANY OTHER PROJECT IN ANY MANNER WITHOUT THE EXPRESS WRITTEN CONSENT OF SAMTEC, INC.



520 PARK EAST BLVD, NEW ALBANY, IN 47150
 PHONE: 812-944-6733 FAX: 812-948-5047
 e-Mail: info@SAMTEC.com code: 55322

MATERIAL: DO NOT SCALE DRAWING SHEET SCALE: 2:1
 INSULATOR: PA 9T
 CONTACT OR TERMINAL: PHOS BRONZE
 BACK SHIELD: NICKEL PLATED PHOS BRONZE
 FRONT SHIELD: TIN PLATED PHOS BRONZE
 MAX FLASH ALLOWED: .051
 MAX GATE VESTIGE: .051

DESCRIPTION:
 USB RIGHT ANGLE, 4 PIN, TYPE A, SINGLE-FOOT 1MM

DWG. NO. **USB-AM-S-X-X-TH-X**

BY: LENNY K 10/19/06 SHEET 1 OF 1