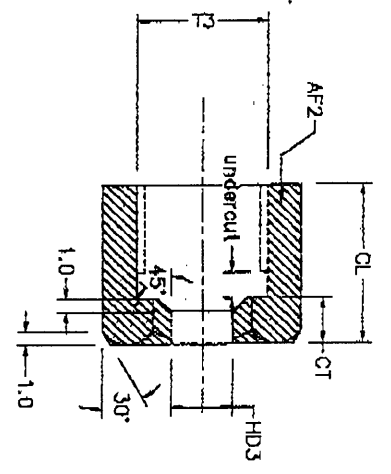
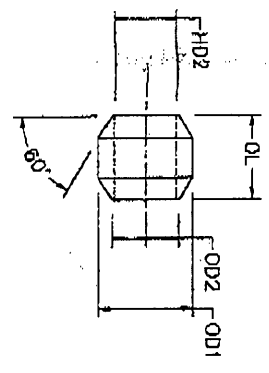
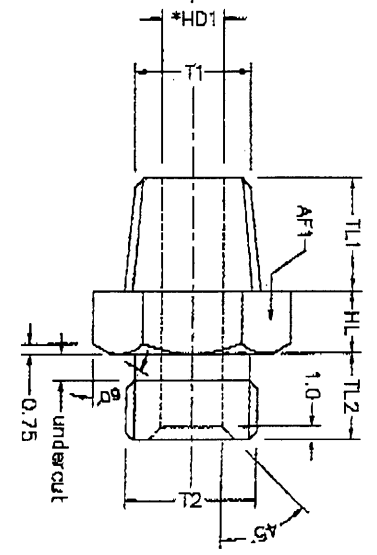
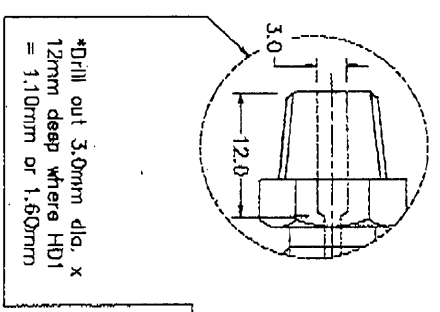


IF IN DOUBT ASK

Dimensions in mm unless specified otherwise



Part No.	Alternative Part No.	Material	BODY						OLIVE			CAP						
			HD1	T1	TL1	T2	TL2	AF1	HL	HD2	OL	OD1	OD2	HD3	T3	CL	CT	AF2
Non-stock		Brass	*1.10	1/8" Dept	8.5	MBx1	6.5	11.1	3.7	1.10	4.2	3.0	1.5	1.10	MBx1	10.0	3.0	14.1
FC-001	XR-077/XF-122	Brass	*1.60	1/8" Dept	8.5	MBx1	6.5	11.1	3.7	1.80	4.7	4.0	2.0	1.60	MBx1	10.0	3.0	11.1
FC-002	XR-074/XF-123	Brass	3.10	1/8" Dept	8.5	MBx1	6.5	11.1	3.7	3.10	5.0	5.0	3.5	3.10	MBx1	10.0	3.0	11.1
FC-004		Brass	3.25	1/8" Dept	8.5	MBx1	6.5	11.1	3.7	3.25	5.0	5.0	3.7	3.25	MBx1	10.0	3.0	11.1
FC-005		Brass	4.10	1/8" Dept	8.5	M10x1	6.5	12.7	4.7	4.10	5.5	6.0	4.5	4.10	M10x1	12.0	3.5	12.7
XS-251	FC-005-2	Brass	4.60	1/8" Dept	8.5	M10x1	6.5	12.7	4.7	4.60	6.0	7.0	5.0	4.60	M10x1	12.0	3.5	12.7
FC-008		Brass	4.85	1/8" Dept	8.5	M10x1	6.5	12.7	4.7	4.85	6.2	7.0	5.3	4.85	M10x1	12.0	3.5	12.7
FC-011	XF-124	Brass	6.10	1/8" Dept	8.5	M10x1	6.5	12.7	4.7	6.10	6.4	8.0	6.5	6.10	M10x1	12.0	3.5	12.7
FC-130	XF-027	303 st/st	*1.10	1/8" Dept	8.5	MBx1	6.5	11.1	3.7	1.10	4.2	3.0	1.5	1.10	MBx1	10.0	3.0	11.1
FC-131	XF-019/XS-096	303 st/st	*1.60	1/8" Dept	8.5	MBx1	6.5	11.1	3.7	1.60	4.7	4.0	2.0	1.60	MBx1	10.0	3.0	11.1
FC-133	XF-020/XQ-091	303 st/st	3.10	1/8" Dept	8.5	MBx1	6.5	11.1	3.7	3.10	5.0	5.0	3.5	3.10	MBx1	10.0	3.0	11.1
FC-134		303 st/st	3.25	1/8" Dept	8.5	MBx1	6.5	11.1	3.7	3.25	5.0	5.0	3.7	3.25	MBx1	10.0	3.0	11.1
Non-stock		303 st/st	4.10	1/8" Dept	8.5	M10x1	6.5	12.7	4.7	4.10	5.5	6.0	4.5	4.10	M10x1	12.0	3.5	12.7
XS-253		303 st/st	4.60	1/8" Dept	8.5	M10x1	6.5	12.7	4.7	4.60	6.0	7.0	5.0	4.60	M10x1	12.0	3.5	12.7
FC-135		303 st/st	4.85	1/8" Dept	8.5	M10x1	6.5	12.7	4.7	4.85	6.2	7.0	5.3	4.85	M10x1	12.0	3.5	12.7
FC-136		303 st/st	6.10	1/8" Dept	8.5	M10x1	6.5	12.7	4.7	6.10	6.4	8.0	6.5	6.10	M10x1	12.0	3.5	12.7

NEW DRAWING		SD	19.11.01	MATERIAL	TOLERANCE:		LAFACILITY LTD		TITLE		DRAWN	CHECKED
CHANGE TOL'S & DIMS TO OLIVES & CHAMFERS		SD	25.01.02	See above	X ±0.25mm	B FELTIAN BUSINESS	B FELTIAN BUSINESS		1/8" BSPT (Tapered)		SD	
INNER NUT & BODY ANGLES CHANGED TO 45°		SD	26.09.02	FINISH: Clean & free of burrs	X.XX ±0.050mm	COMPLEX'S LANE	COMPLEX'S LANE		Compression Flttings			19.11.01
MODIFICATION		REV	APP	DATE	THIS DRAWING REMAINS THE PROPERTY OF LAFACILITY LIMITED AND MAY NOT BE REPRODUCED WITHOUT OUR PERMISSION		MIDDIX TRIS 7LW		PART NUMBER: See above		DRAWING NO. 0200991TD	
											SHEET 1 OF 1 SHEETS	