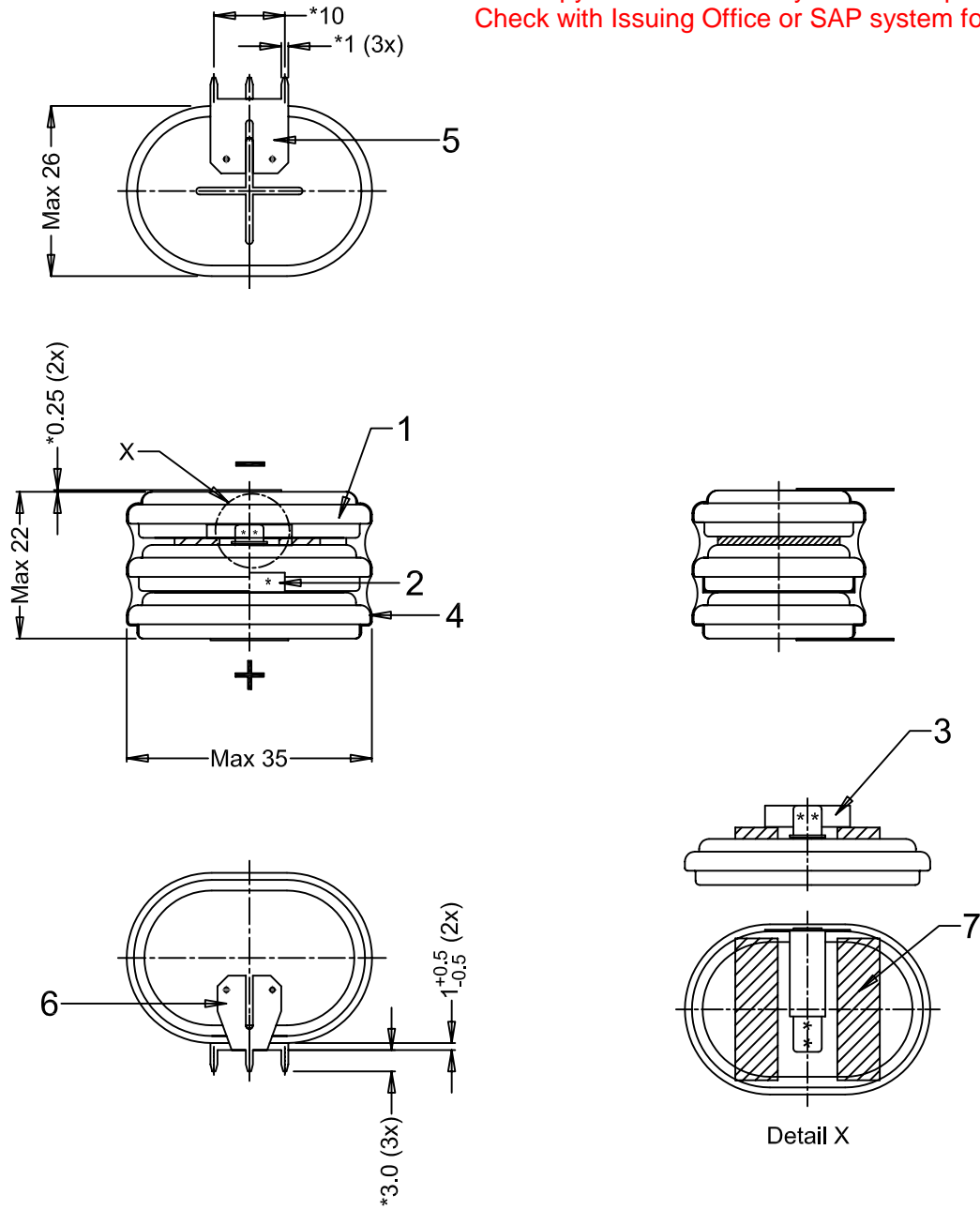


This is a controlled document.

Hardcopy to be endorsed by authorized person.

Check with Issuing Office or SAP system for latest update.



Note: 1) *Dimensions for reference only

2) Cell deflection space of 1.2mm/cell is needed in case of abuse conditions.

Please consult Varta for more details.

Approx. wt : 45 g

No.	Alterations:	Date:	Name:	Dimensions in mm	Material:
0	AO 054/04; Refer to p/n. P26-00035, Rev. 000	2004-05-10	Ratna	Tolerance: As Specified	Refer to part list no: 074588
				Projection:	Description: 3/V600HR SK S PCBD with shrink sleeve & PC-tags
				Scale: 1 : 1	
				Loc. : 1 Date: Name:	
				Prepared: 2004-05-06 TitisWS	
				Approved:	

RIGHTS RESERVED TO MAKE TECHNICAL CHANGES, AS A RESULT OF FURTHER DEVELOPMENT, WITHOUT NOTICE. THIS DRAWING IS THE PROPERTY OF VARTA BATTERIES PTE LTD AND MUST NOT BE COPIED OR DISCLOSED TO A THIRD PARTY WITHOUT THE WRITTEN CONSENT OF VARTA BATTERIES PTE LTD.



Dwg. No: 074588 4 0 0

VKB No. : 55960 303 059

Released: 2004-05-10