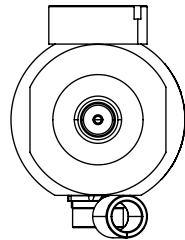


THE INFORMATION CONTAINED IN THIS DRAWING IS THE SOLE PROPERTY OF L-COM, INC. ANY REPRODUCTION IN PART OR WHOLE WITHOUT THE WRITTEN PERMISSION OF L-COM, INC. IS PROHIBITED.

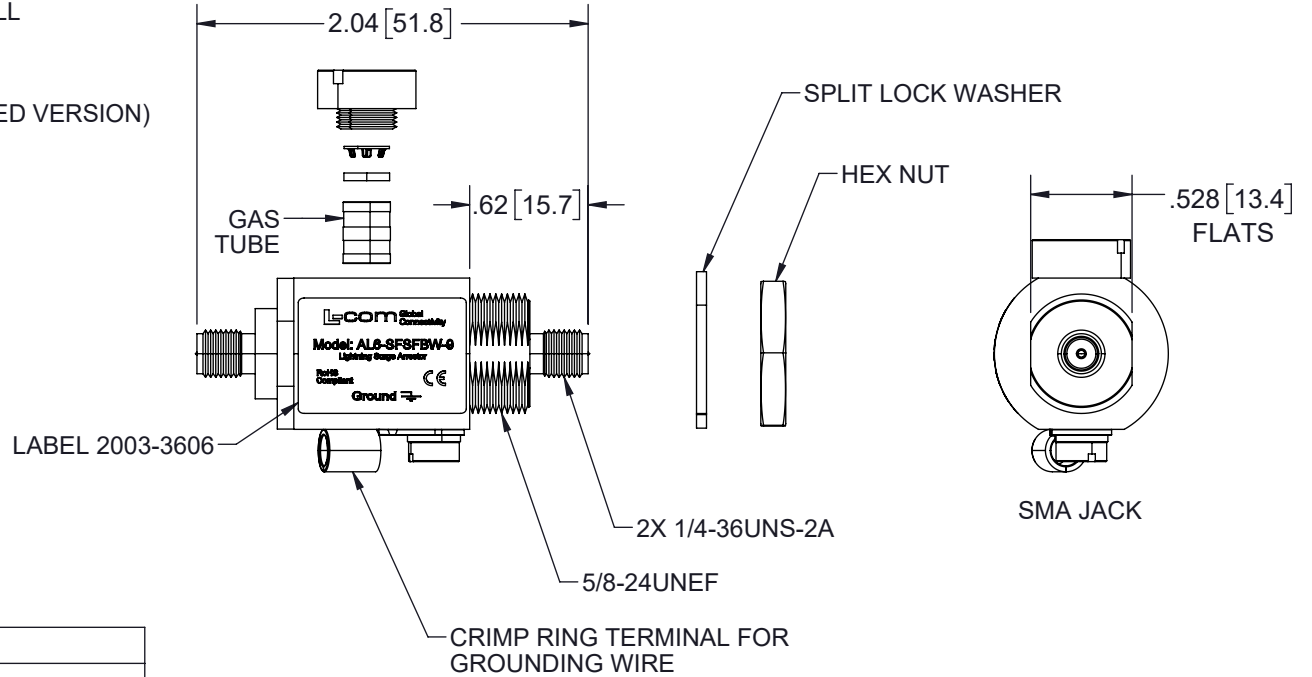
REVISIONS			
REV	DESCRIPTION	DATE	APPROVED
A	PRODUCTION RELEASE	4/10/20	RTP
B	ADD LABEL DWG SHEET 2	4/28/2020	DWR

**NOTES:**


- LIGHTNING PROTECTOR SHALL BE INDIVIDUALLY PACKAGED IN ACCORDANCE WITH L-COM PACKAGING SPEC. PS-0031.
- BRANDING IS L-COM, ALL BRANDING ELEMENTS PRESENT ON PRODUCT OR PACKAGING SHALL BE L-COM.
- REGULATORY COMPLIANCE:**  
EU RoHS DIRECTIVE (MOST RECENT RELEASED VERSION)



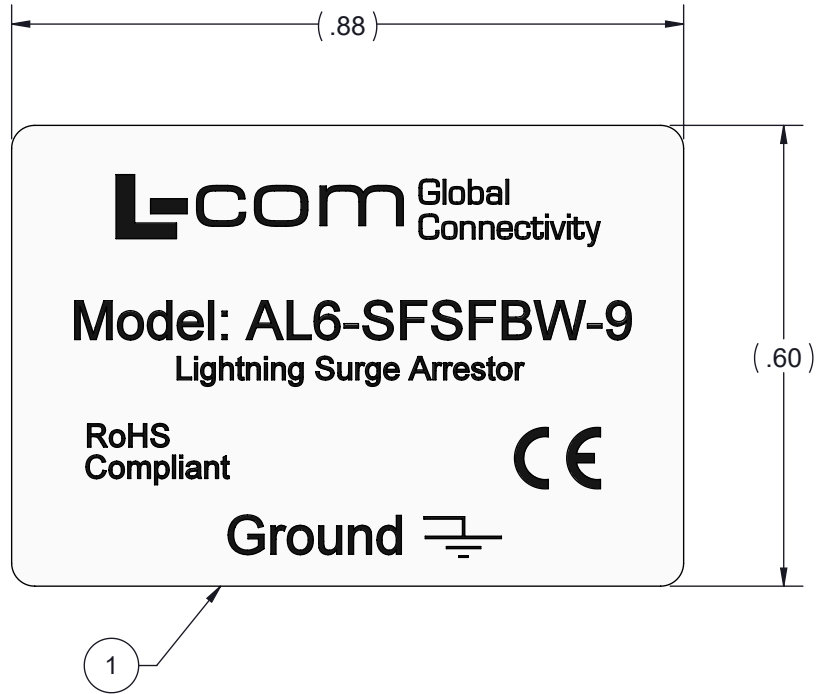
SMA JACK



ELECTRICAL SPECIFICATIONS	
FREQUENCY RANGE	0-6 GHz
VSWR	1 : 1.2MAX (0-6 GHz)
INSERTION LOSS	0.6 dB MAX (0-6 GHz)
IMPEDANCE	50 OHM
GAS TUBE BREAKDOWN VOLTAGE	180 V ±20%
MECHANICAL SPECIFICATIONS	
CONNECTORS	SMA JACK TO SMA JACK BULKHEAD
CONNECTOR BODY MATERIAL	NICKEL PLATED BRASS
BODY MATERIAL	NICKEL PLATED BRASS
PIN MATERIAL	GOLD PLATED BRASS
O-RING	RUBBER
DIMENSIONS (MAX)	2.1 X 0.9 X 1.2 IN (53 X 23 X 31mm)
WEIGHT	0.25 LBS (0.11 kg)

UNLESS OTHERWISE SPECIFIED, DIMENSIONS ARE IN INCHES [mm] OVERALL CABLE LENGTH TOLERANCE: ≤12 [305] = +1 [25] / -0 >12 [305] ≤60 [1524] = +2 [51] / -0 >60 [1524] ≤120 [3048] = +4 [102] / -0 >120 [3048] ≤300 [7620] = +6 [152] / -0 >300 [7620] = +5% / -0 ALL OTHER DIMENSIONAL TOLERANCES: .X = ± .2 [5]   FRACTIONS ± 1/32 .XX = ± .02 [5]   ANGLES ± 1° .XXX = ± .005 [1.3]	APPROVALS	DATE	 50 High Street, West Mill, North Andover, MA 01845 USA. Phone: 1.800.341.5266 1.978.682.6936	
	DRAWN BY DPM	4/10/20		CATEGORY  PRODUCT DESCRIPTION <b>LP, SMA J TO SMA .0-6GHz L-COM</b>
	CHECKED BY HMB	4/10/20		
	APPROVED BY DWR	4/15/20		
THIRD-ANGLE PROJECTION	COLOR VARIATIONS MAY OCCUR	SIZE <b>A</b> CAGE CODE <b>43321</b> ITEM NO. <b>AL6-SFSFBW-9</b>	REV. <b>B</b> SCALE: 1:1 CAD FILE: AL6-SFSFBW-9.SLDDRW SHEET 1 OF 2	

THE INFORMATION CONTAINED IN THIS DRAWING IS THE SOLE PROPERTY OF L-COM, INC. ANY REPRODUCTION IN PART OR WHOLE WITHOUT THE WRITTEN PERMISSION OF L-COM, INC. IS PROHIBITED.



**NOTES:**

1. INTERPRET DIMENSIONS AND TOLERANCES PER ASME-Y14.5-2009.
2. REFERENCE CONTROL SOURCE FILE: 2003-3606.btw
3. USE OUTDOOR-RATED MATERIAL, BLACK TEXT OVER WHITE BACKGROUND.

1	1	2003-862-2	LABEL 1W X .75H WHITE
ITEM	QTY	PART #	DESCRIPTION

**L-com**  
an INFINITO brand

50 High Street, West Mill,  
North Andover, MA 01845 USA.  
Phone: 1.800.341.5266  
1.978.682.6936

CATEGORY

PRODUCT DESCRIPTION  
LP, SMA J TO SMA .0-6GHz  
L-COM

SIZE	CAGE CODE	ITEM NO.	REV.
<b>A</b>	<b>43321</b>	2003-3606	<b>B</b>

SCALE: NONE | CAD FILE: AL6-SFSFBW-9.SLDDRW | SHEET 2 OF 2