

3rd ANG PROJECTION

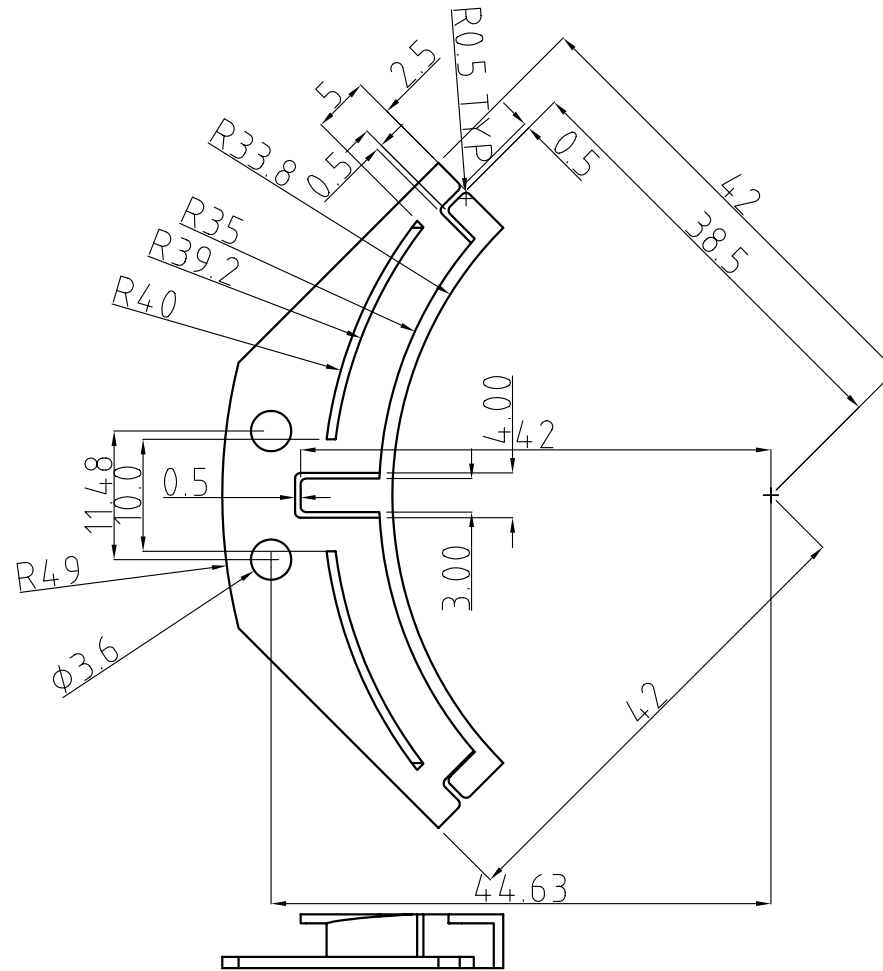
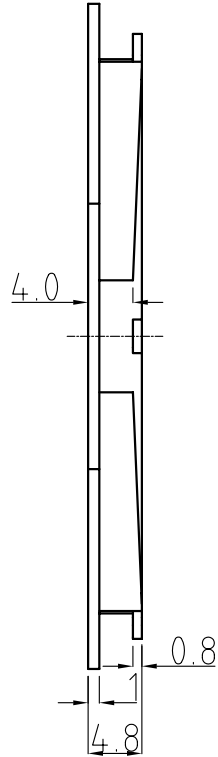
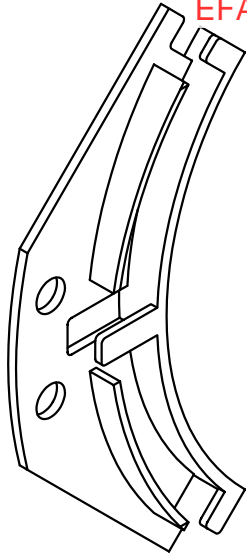
EFA04 34 P02 = EFA04 34 002 (RMS-390) WITH ADHESIVE PAD (RMS-143)

EFA04 34 PR2 = EFA04 34 002 (RMS-390) WITH ADHESIVE PAD (RMS-143) AND RICHCO RIVET (RMS-56)

EFA04 34 R02 = EFA04 34 002 (RMS-390) WITH RICHCO RIVET (RMS-56)

REV	DESCRIPTION	DATE	APPROVED
1	INITIAL ISSUE	280900	CDD
2	MATL. SPEC. CHANGE	20/12/01	CN10
3	Chamfer on outer ribs & 4.0 dim added	14/02/02	CN17

RICHCO ADDED RMS NO. 04/08/09



NOTES: F.R. NYLON 6 RADIFLAM SAE100 OR EQUIVLANT

ALL DIMS IN MM UNLESS STATED		GEN TOLS 0 = +/-0.5 0.0 = +/-0.3 0.00 = +/-0.1		EUROPLUS FIBRE OPTICS Europlus House, Thompson Drive, Anglia International Airpark, Rendlesham, Suffolk, IP12 2RQ. Tel: (01394) 445100 Fax: (01394) 445109	
DRAWN CDD	DATE 280900	SIZE	FILE NAME	DWG. No	REV.
CHKD CDD	DATE 280900		0434002	EFA04 34 002	3
DO NOT SCALE DRAWING		SCALE 2:1	SHEET 1 of 1		

MATERIAL SEE NOTES	THIS DOCUMENT CONTAINS PROPRIETARY INFORMATION WHICH SHALL NOT BE REPRODUCED, TRANSFERRED TO OTHER DOCUMENTS, DISCLOSED TO OTHERS USED FOR MANUFACTURING OR ANY OTHER PURPOSE WITHOUT THE WRITTEN AUTHORISATION OF EUROPLUS FIBRE OPTICS LTD.
FINISH Flash Free	
ICE No:	

DESCRIPTION
35mm radius corner guide