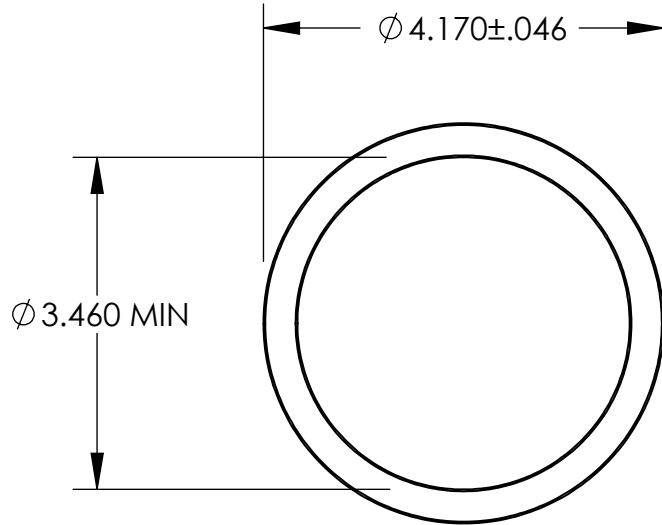
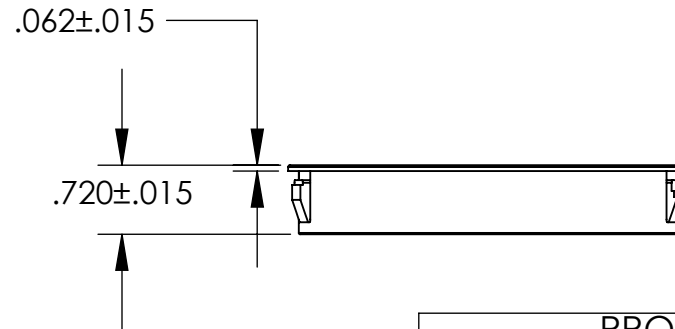
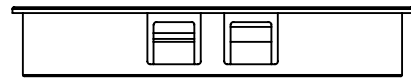


UNCONTROLLED DOCUMENT



NOTES:
HOLE SIZE 4.000
MAXIMUM PANEL THICKNESS .250



TOLERANCES UNLESS NOTED

- $\pm .005$ ON DIMENSIONS THRU $.625$
- $\pm .008$ ON DIMENSIONS $.626$ THRU 1.000
- $\pm .010$ ON DIMENSIONS 1.001 THRU 1.500
- $\pm .015$ ON DIMENSIONS LARGER THAN 1.500
- $\pm .015$ ON FRACTIONAL DIMENSIONS

WE RESERVE THE RIGHT
TO DISCONTINUE ITEMS,
CHANGE SPECIFICATIONS
OR DESIGN AT ANY TIME
WITHOUT NOTICE AND
WITHOUT INCURRING
ANY OBLIGATIONS

PROPERTY OF		
MICRO PLASTICS INC.		
CATALOG DRAWING STANDARD INSULATING BUSHING MICRO P/N 22MP40055 DWG. # 22MP40055 FILE SERVER\ENG\WEB		
MATERIAL: HEAT STABILIZED NYLON; BLACK		
DATE	SCALE 1:2	TA