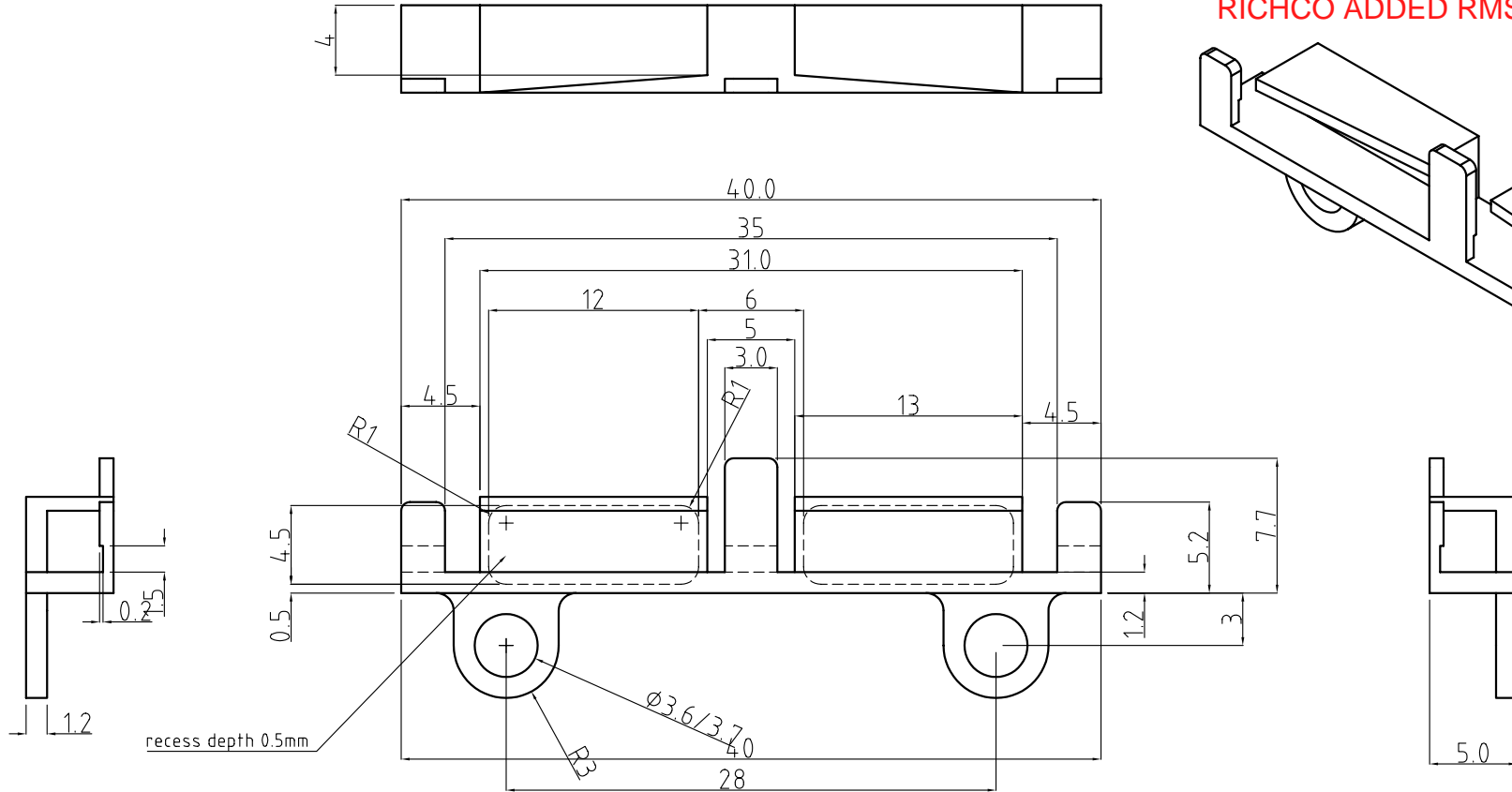
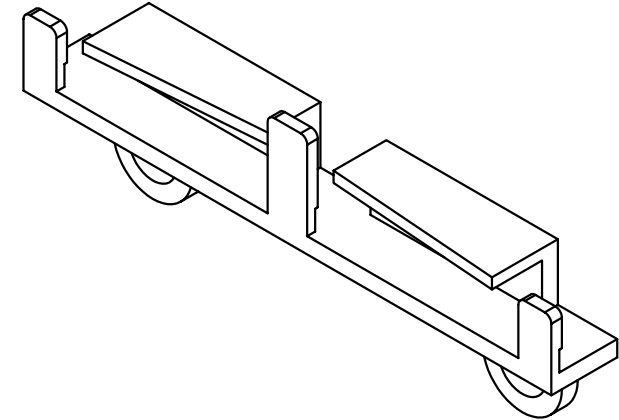


3rd ANG PROJECTION

REV	DESCRIPTION	DATE	APPROVED
1	INITIAL ISSUE	170800	CDD
2	Drawing brought into line with sample	291100	CN00243

RICHCO ADDED RMS NO. 04/08/09



EFA04 60 P01- GUIDE (RMS-390) WITH SELF ADHESIVE PAD (RMS-143)
EFA04 60 R01-GUIDE (RMS-390) WITH SRHR-3555 RIVETS (RMS-56)
EFA04 60 PR1-GUIDE (RMS-390) WITH PAD (RMS-143) AND RIVETS (RMS-56)

NOTES:

MATERIAL	Sniamid	THIS DOCUMENT CONTAINS PROPRIETARY INFORMATION WHICH SHALL NOT BE REPRODUCED, TRANSFERRED TO OTHER DOCUMENTS, DISCLOSED TO OTHERS USED FOR MANUFACTURING OR ANY OTHER PURPOSE WITHOUT THE WRITTEN AUTHORISATION OF EUROPLUS FIBRE OPTICS Ltd.
FINISH	flash free	
ICE No:		

DESCRIPTION	Fibre Guide (straight)
-------------	------------------------

ALL DIMS IN MM UNLESS STATED		GEN TOLS 0 = +/-0.5 0.0 = +/-0.3 0.00 = +/-0.1	EUROPLUS FIBRE OPTICS Europlus House, Thompson Drive, Anglia International Airpark, Rendlesham, Suffolk, IP12 2RQ. Tel: (01394) 445100 Fax: (01394) 445109				
DRAWN	CDD	DATE	170800	SIZE	FILE NAME	DWG. No	REV.
CHKD	CDD	DATE	170800	SCALE	0460001	EFA04 60 001	2
DO NOT SCALE DRAWING				SCALE	2:1	SHEET 1 of 1	