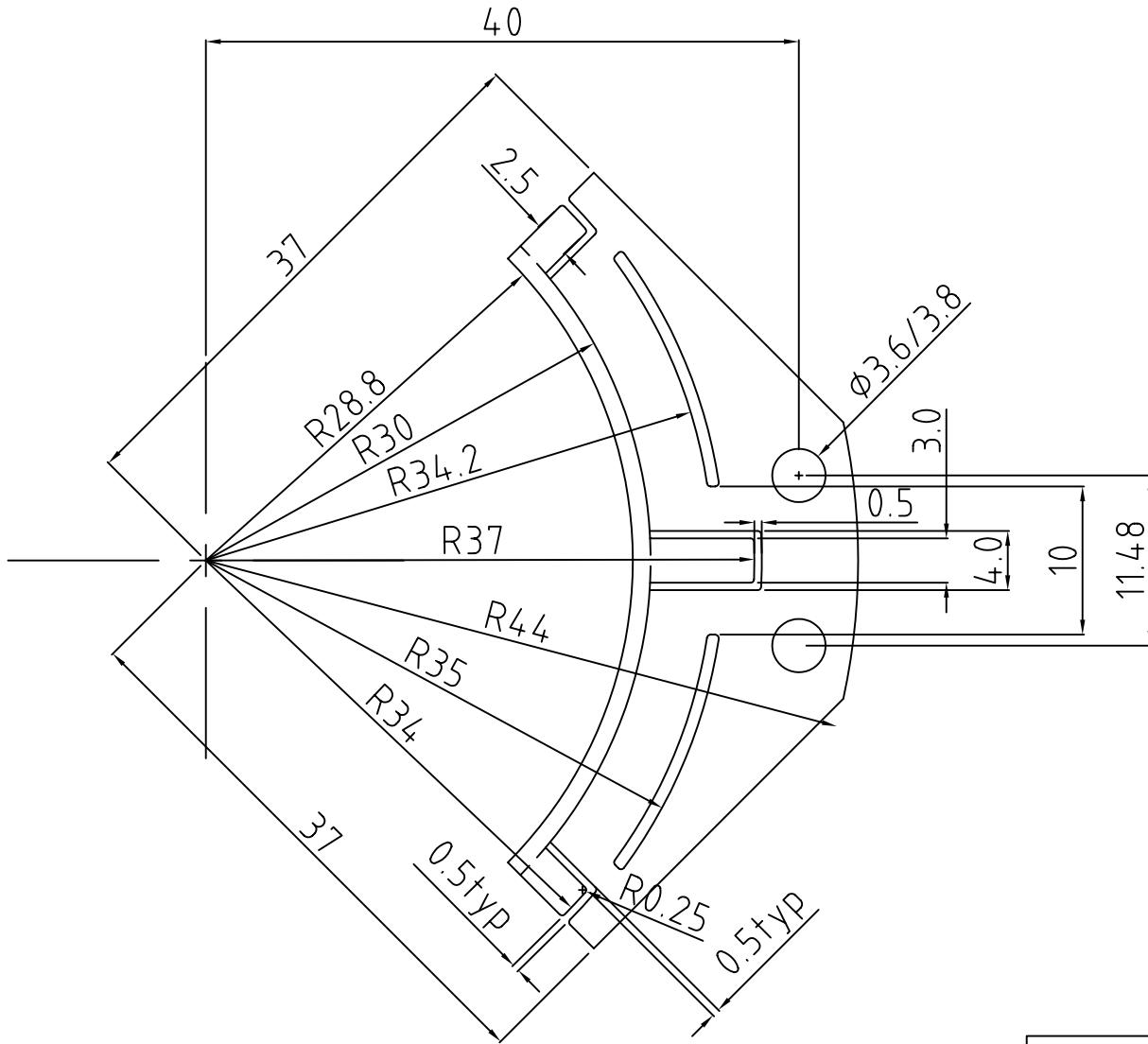
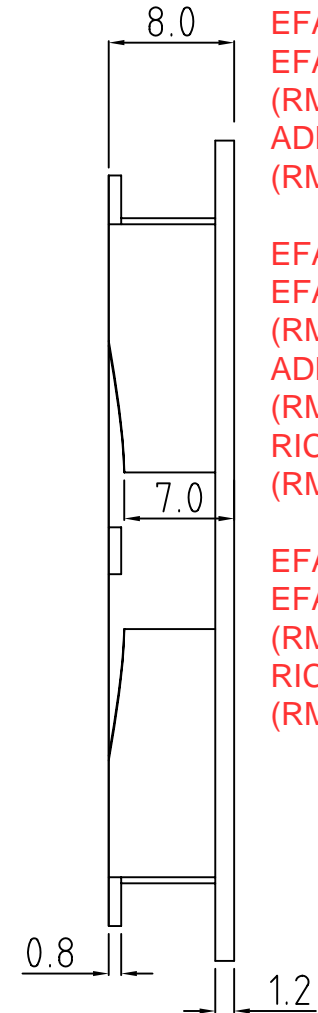


3rd ANG PROJECTION



REV	DESCRIPTION	DATE	APPROVED
1	INITIAL ISSUE	290501	

RICHCO ADDED RMS NO. 04/08/09



**EFA04 34 P10 =
EFA04 34 010
(RMS-390) WITH
ADHESIVE PAD
(RMS-143)**

**EFA04 34 PR0 =
EFA04 34 010
(RMS-390) WITH
ADHESIVE PAD
(RMS-143) AND
RICHCO RIVET
(RMS-56)**

**EFA04 34 R10 =
EFA04 34 010
(RMS-390) WITH
RICHCO RIVET
(RMS-56)**

NOTES:

MATERIAL Sniamid C 50 H2
FINISH Flash Free
ICE No:

THIS DOCUMENT CONTAINS PROPRIETARY INFORMATION WHICH SHALL NOT BE REPRODUCED, TRANSFERRED TO OTHER DOCUMENTS, DISCLOSED TO OTHERS USED FOR MANUFACTURING OR ANY OTHER PURPOSE WITHOUT THE WRITTEN AUTHORISATION OF EUROPLUS FIBRE OPTICS LTD.

DESCRIPTION
Corner guide 8mm x 30mm rad

ALL DIMS IN MM UNLESS STATED		GEN TOLS 0 = +/- 0.5 0.0 = +/- 0.3 0.00 = +/- 0.1		EUROPLUS FIBRE OPTICS Europlus House, Thompson Drive, Anglia International Airpark, Rendlesham, Suffolk, IP12 2RQ. Tel: (01394) 445100 Fax: (01394) 445109			
DRAWN CDD	DATE 290501	SIZE	FILE NAME	DWG. No	REV.		
CHKD CDD	DATE 290501		0434010	EFA04 34 010	1		
DO NOT SCALE DRAWING		SCALE 3:1	SHEET 1 of 1				