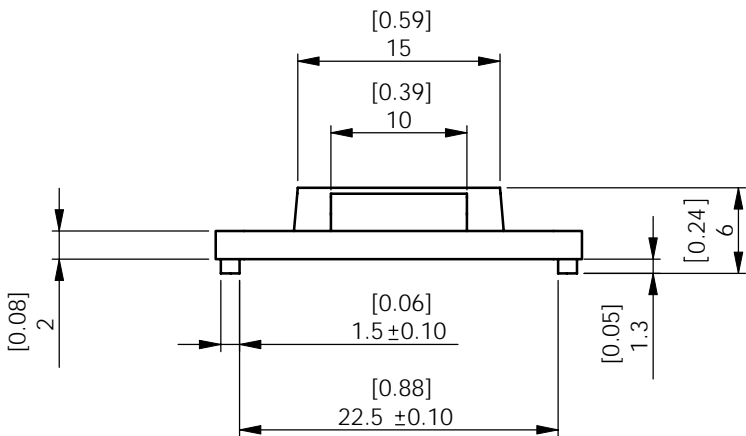
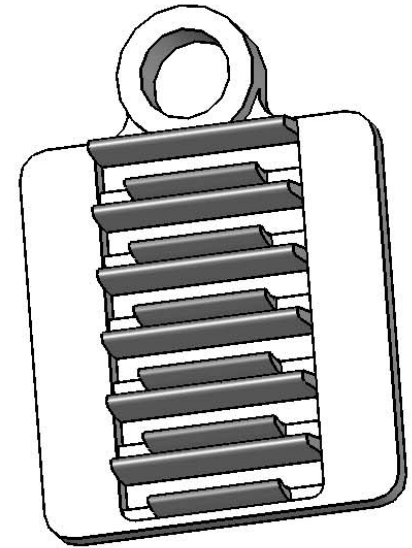
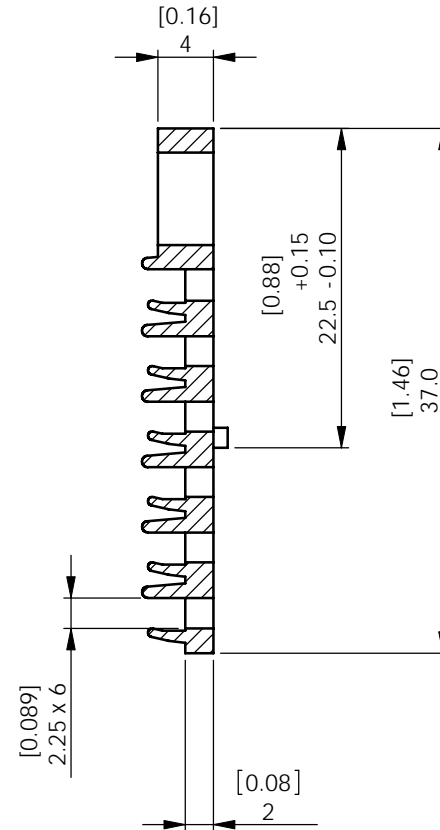
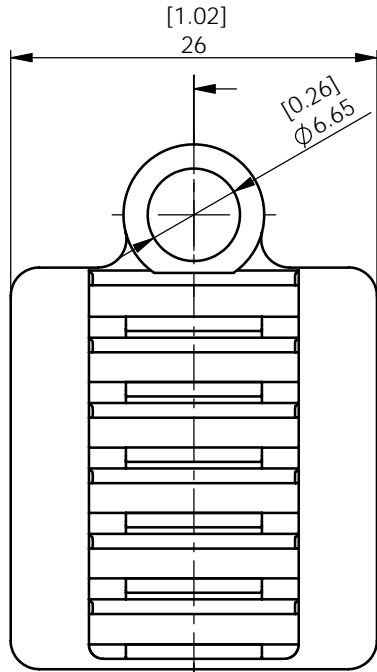


REV.	MODIFICATION.	DATE	DRN
05	CO2010589	11/03/09	SF



ALTERNATE UNITS FOR REFERENCE ONLY

INFORMATION CONTAINED IN THIS DOCUMENT IS CONFIDENTIAL TO RICHCO INTERNATIONAL Co. Ltd. AND MAY NOT BE DISCLOSED OR REPRODUCED IN WHOLE OR PART WITHOUT THEIR WRITTEN CONSENT.

Richco®

ALL DIMENSIONS IN mm
GENERAL TOLERANCES ±0.25
UNLESS OTHERWISE STATED
1 DECIMAL PLACE ±
2 DECIMAL PLACES ±
ANGULAR ±1°

THIRD ANGLE

MATERIAL: SEE TABLE		COLOUR: BLACK	
DESCRIPTION: SPLICE HOLDER		PART No: SEE TABLE	
DRG No: 09-025	NPR No: N/A	SHEET SIZE A4	
DRN SF	DATE 11/03/09	CHKD TC	DATE 11/03/09
SCALE NTS	SHEET No. 1 OF 1		

PART NUMBER	MATERIAL
OFSH-T-6-GFBLK	NYLON 6/6 UL94 V0(RMS-104)
OFSH-T-6-19BLK	NYLON 6/6 UL94 V0(RMS-19)
OFSH-T-6-01BLK	NYLON 6/6 UL94 V2(RMS-01)